



## Company Profile:

Sunkye International Co., Limited.(Connector) Business Group, with sixty five years of experience, specializes in designing and producing connectors, related components and cables. A wide range of connector products, twist pin connector, optical fiber connector, RF coaxial connector, separable connector, custom and application-

# *Company profile*

specific connector, etc, which are widely used in military area: aerospace, aviation, electrical, ship-building, defense system, etc and civil area: communication, telecom, automotive, rail, etc.

Design team focuses on meeting customers' requirement with continuous innovative technology, manufacture team provides high quality products by utilizing advanced equipments in standardized processes to ensure customers' benefits.

Sunkye is ISO 9001 certified, UL, VDE, CE certification passed, and ensures products quality by testing in realistic conditions with advanced test facilities, professional test employees.

Sunkye team is committed to offering high quality products, best service, prompt delivery and competitive price for you.



## Manufacture Equipment:

Five-Axis CNC, AGIE EDM, SODICK WEDM-LS, 40G Vector Network Analyzers, Vacuum Heat Treatment Equipment, Glass-sintered System, Laser Processing Center, High Velocity Ram Machine, Gold, Nickel and Cadmium Plating Production Line, Thermosetting Injection Machine, Thermoplastic Injection Machine, Swiss Automatic Lathe, etc.

## Test Facilities:

Comprehensive Test Instrument of Temperature, Humidity and Vibration; Experimental Box of Temperature and Shock; layer thickness meter; Coordinate Measurement Machine, etc.



MIL-DTL-83513 Micro-D Connectors

**SUNHYE**



# CONTENT

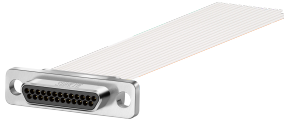


<b>MIL-DTL-83513 Micro-D Connectors</b>	
<b>R04A Series Crimping Connectors .....</b>	<b>1</b>
<b>R04A Series Right Angle to PCB Connectors.....</b>	<b>4</b>
<b>R04A Series Straight to PCB Connectors.....</b>	<b>14</b>
<b>R04A Series Solder Cup Connectors.....</b>	<b>22</b>
<b>R04A Series Locking Hardware.....</b>	<b>26</b>
<b>R04A Series Backshells.....</b>	<b>31</b>

# MIL-DTL-83513 Micro-D Connectors

## R04A Series Crimping Connectors

### Brief Introduction

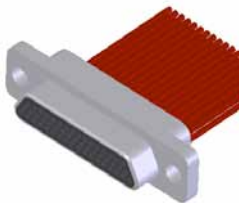


- Micro-D Connectors
- Twist Pin Contacts, High Density
- Metal Shell, Nickel or Cadmium Plating
- Crimping Connectors
- The Sectional Area of Cable: 0.1mm~0.15mm, 0.07mm
- Meets MIL-DTL-83513

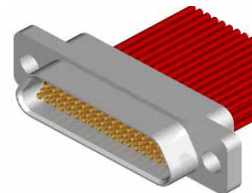
### Specifications

- |                            |   |
|----------------------------|---|
| ■ Environment Temperature: | -55°C~+125°C  |
| ■ Vibration:               | 10Hz~2000Hz, 196m/s <sup>2</sup>  |
| ■ Random Vibration:        | Power spectrum density 0.4G <sup>2</sup> /Hz, root mean square value of total acceleration 23.1G. |
| ■ Shock:                   | 735m/s <sup>2</sup> 11ms  |
| ■ Rated Current:           | 3A  |
| ■ Contact Resistance:      | ≤10mΩ   |
| ■ Insulation Resistance:   | ≥5000MΩ   |
| ■ Dielectric Strength:     | 800V  |
| ■ Durability:              | 500 times   |

### Product Stereogram

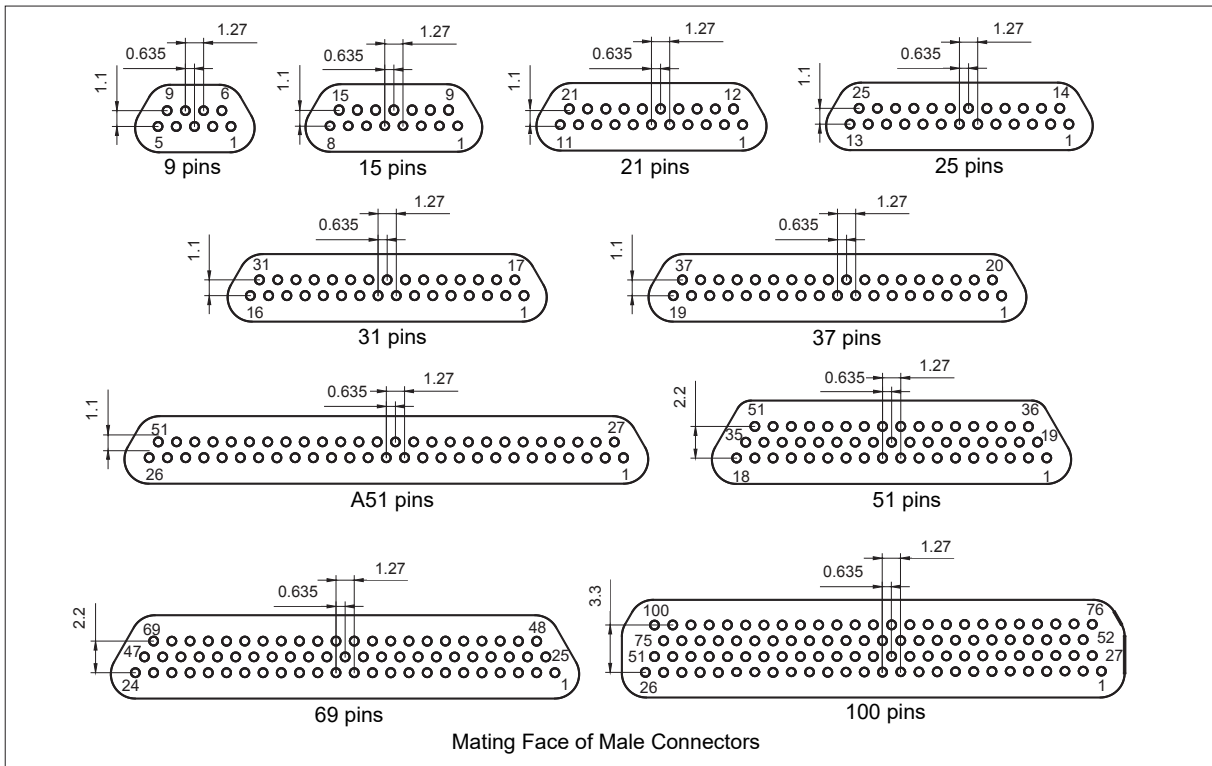


Plug



Receptacle

## Contact Arrangements



## How To Order

Sample Part Number

**R04A -31 PI B01 G AA -26 9 10**

**Series:**

R04A—Micro-D Connectors for MIL-DTL-83513

**Contact Number:**

9, 15, 21, 25, 31, 37, A51, 51, 69, 100pins

**Contact Type:**

PI—Pin in Plug

RH—Socket in Receptacle

**Locking Hardware Type:**

B01—Locking Hardware (See page 26 to 30) No Code—No Locking Hardware

**Shell Material And Finish:**

G—Aluminum Shell, Cadmium Plating

No Code—Aluminum Shell, Nickel Plating

**Backshell Type:**

AA—Backshell Type (See page 31 to 33)

No Code—No Backshell

**Wire Gage:**

26—AWG26

**Wire Color:**

9—White Color

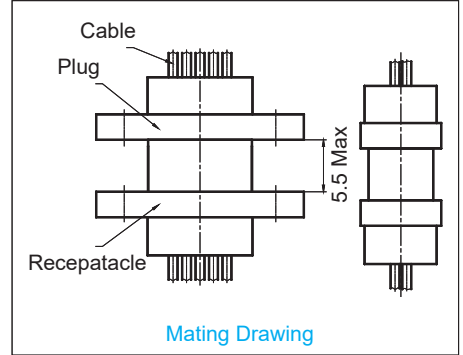
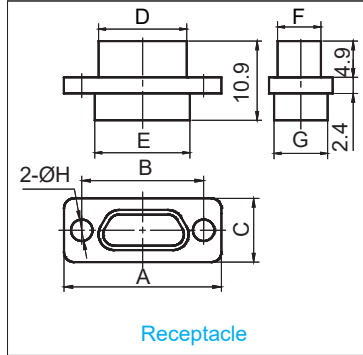
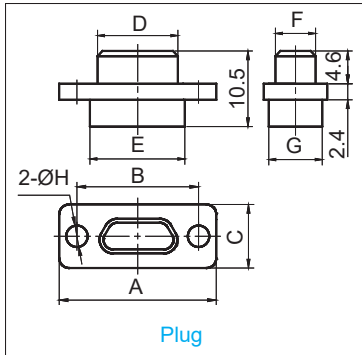
T—Ten Color Repeating

**Wire Length:**

10—Wire Length in cm. "10" Specifies 10 cm

## R04A Series Crimping Connectors

### Outline Dimensions



Part Number	Outline Dimensions							
	A	B	C	D	E	F	G	H
R04A-9PI	19.6	14.3	7.6	8.4	9.9	4.7	6.8	2.31
R04A-15PI	23.5	18.2	7.6	12.3	13.8	4.7	6.8	2.31
R04A-21PI	27.3	22	7.6	16.1	17.6	4.7	6.8	2.31
R04A-25PI	29.8	24.5	7.6	18.6	20.2	4.7	6.8	2.31
R04A-31PI	33.6	28.3	7.6	22.4	24	4.7	6.8	2.31
R04A-37PI	37.4	32.1	7.6	26.2	27.8	4.7	6.8	2.31
R04A-A51PI	46.3	41	7.6	35	36.7	4.7	6.8	2.31
R04A-51PI	36.2	30.9	8.7	25	26.6	5.8	7.9	2.31
R04A-69PI	43.8	38.5	8.7	32.6	34.2	5.8	7.9	2.31
R04A-100PI	54.7	45.7	9.7	35.1	36.6	6.8	9.1	3.7
R04A-9RH	19.6	14.3	7.6	9.9	9.9	6.1	6.8	2.31
R04A-15RH	23.5	18.2	7.6	13.7	13.8	6.1	6.8	2.31
R04A-21RH	27.3	22	7.6	17.5	17.6	6.1	6.8	2.31
R04A-25RH	29.8	24.5	7.6	20.1	20.2	6.1	6.8	2.31
R04A-31RH	33.6	28.3	7.6	23.9	24	6.1	6.8	2.31
R04A-37RH	37.4	32.1	7.6	27.7	22.8	6.1	6.8	2.31
R04A-A51RH	46.3	41	7.6	36.5	36.7	6.1	6.8	2.31
R04A-51RH	36.2	30.9	8.7	26.5	26.6	7.2	7.9	2.31
R04A-69RH	43.8	38.5	8.7	34.1	34.2	7.2	7.9	2.31
R04A-100RH	54.7	45.7	9.7	36.6	36.6	8.3	9.1	2.31

Remark: All dimensions are in mm.

# MIL-DTL-83513 Micro-D Connectors

## R04A Series Right Angle To PCB Connectors



FB Style



FA Style

### Brief Introduction

- Micro-D Connectors
- Twist Pin Contacts, High Density
- Metal Shell, Nickel or Cadmium Plating
- Right Angle to PCB Connectors
- Meets MIL-DTL-83513

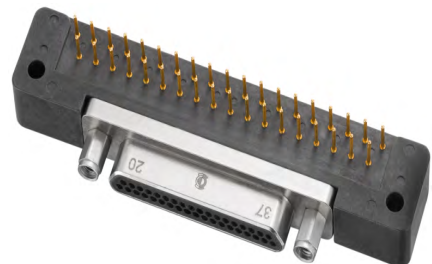
### Specifications

■ Environment Temperature:	-55°C~+125°C
■ Vibration:	10Hz~2000Hz, 196m/s <sup>2</sup>
■ Random Vibration:	Power spectrum density 0.4G <sup>2</sup> /Hz, root square value of total acceleration of 23.1G
■ Shock:	735m/s <sup>2</sup> 11sm
■ Rated Current:	3A
■ Contact Resistance:	≤10mΩ
■ Insulation Resistance:	≥5000MΩ
■ Dielectric Strength:	800V
■ Durability:	500 times

### Product Stereogram



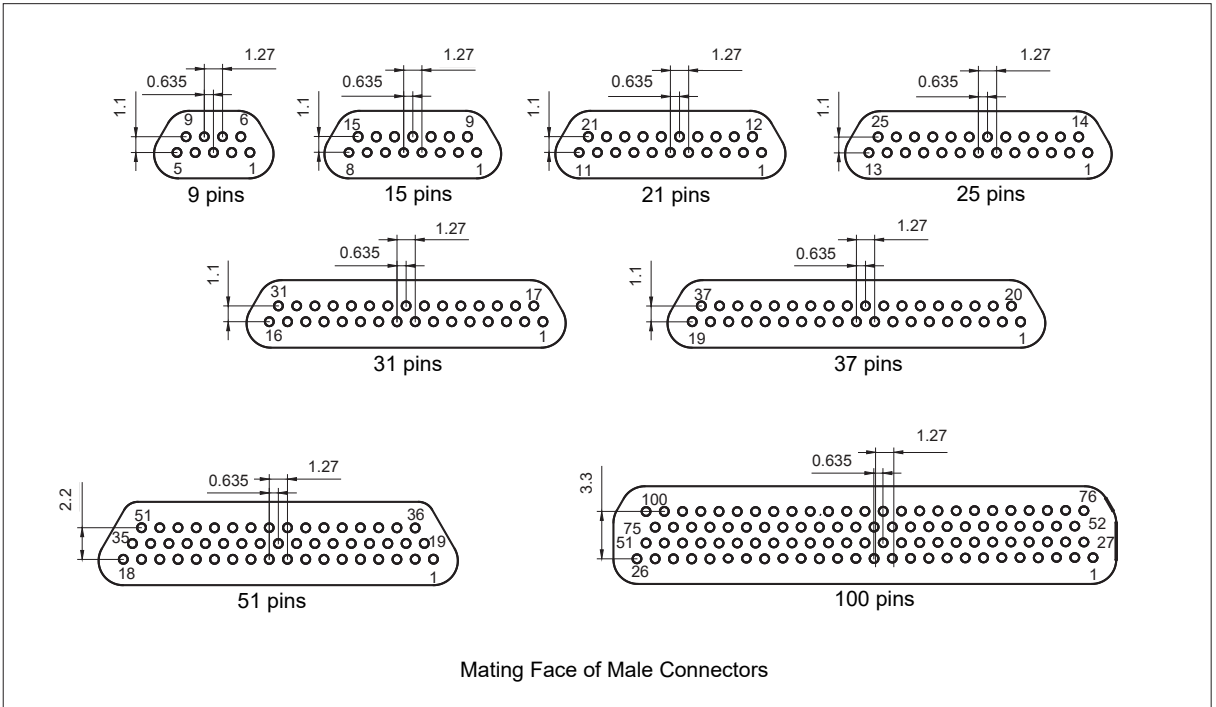
FA Style



FB Style




## Contact Arrangements



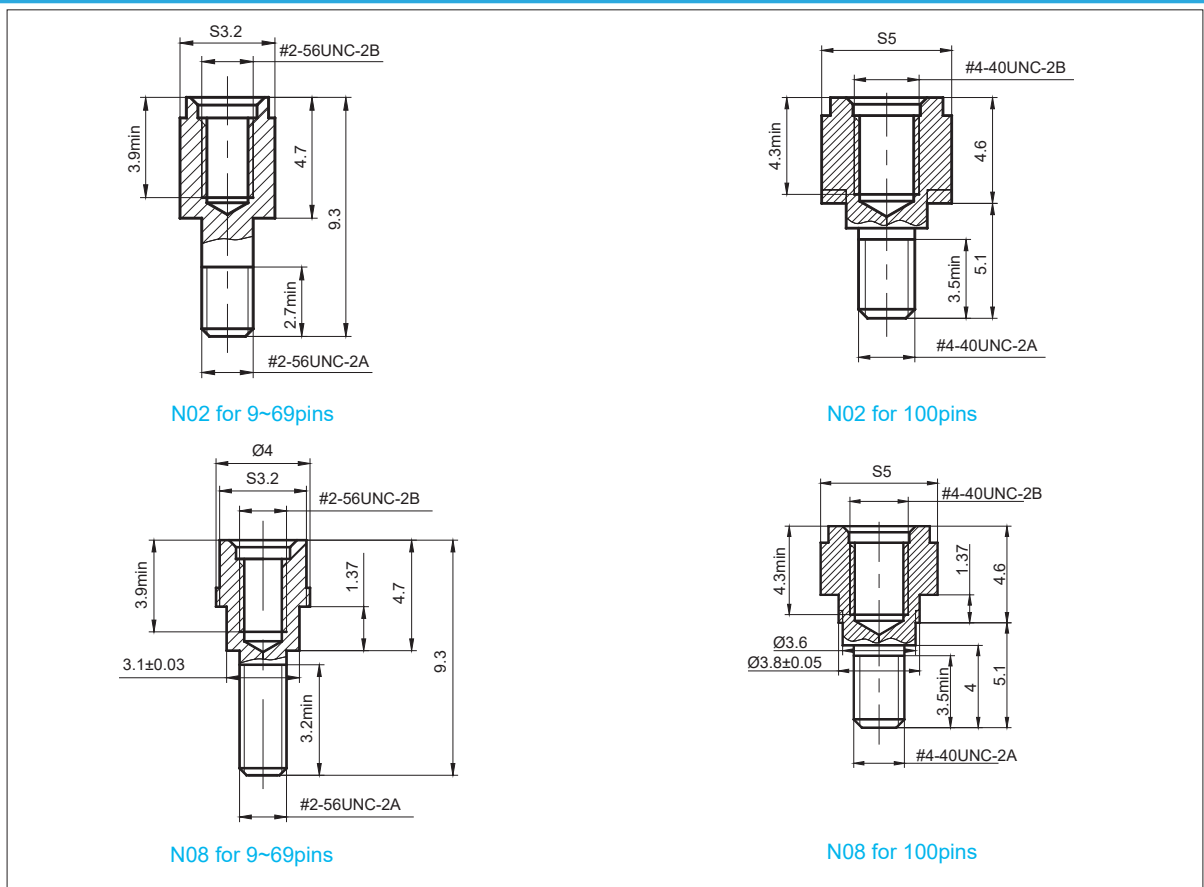
## How To Order

<b>Sample Part Number</b>	<b>R04A</b>	<b>-31</b>	<b>PI</b>	<b>FB</b>	<b>3</b>	<b>N02</b>	<b>G</b>
<b>Series:</b>	R04A—Micro-D Connectors for MIL-DTL-83513						
<b>Contact Number:</b>	9, 15, 21, 25, 31, 37, 51, 100pins						
<b>Contact Type:</b>	PI—Pin in Plug                      RH—Socket in Receptacle						
<b>Termination Type:</b>	FA Style and The PCB Layout is 2.54*2.54mm FB Style and The PCB Layout is 2.54*2.54mm						
<b>Tail Length:</b>	1—2.77mm                      2—3.56mm		3—4.37mm				
<b>Locking Hardware:</b>	N02—Locking Hardware Type (See page 6)			No Code—No Locking Hardware			
<b>Shell Material and Finish :</b>	G—Aluminum Shell, Cadmium Plating			No Code—Aluminum Shell, Nickel Plating			

## Locking Hardware

Code	Feature	Panel Thickness	Stereogram	Outline Dimensions
N02	Hex Head	/		Please See Below
N08	1. Hex Head 2. Rear Panel Mounting Only	$1.5^{0}_{-0.10}$ mm		

## Outline Dimensions



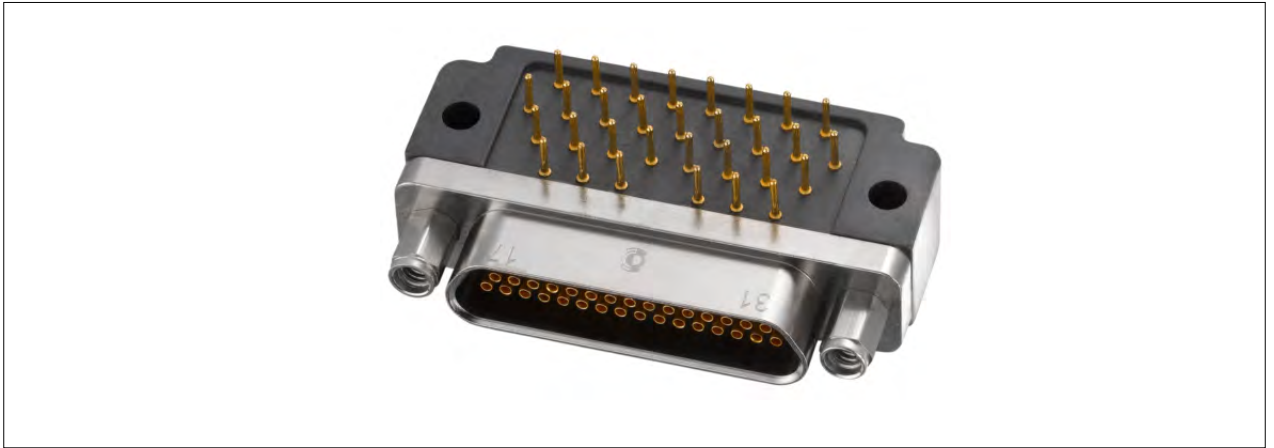
## Tail Lengths

Tail Code	Tail Length	Recommend The Thickness Of PCB
1	2.77	1.2~2.2
2	3.56	2.0~3.0
3	4.37	2.8~3.8

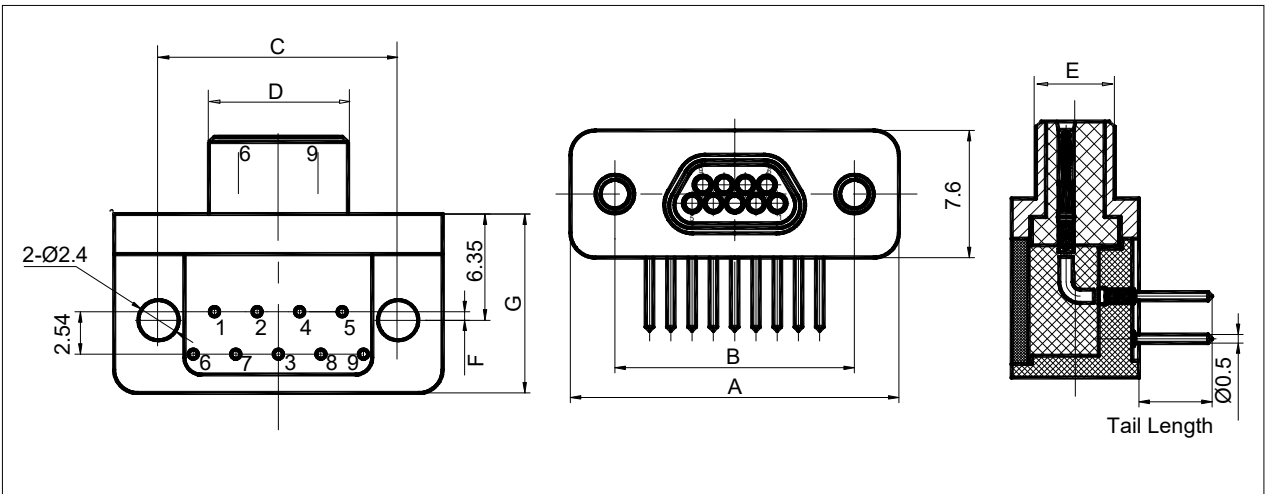
Remark: All dimensions are in mm.

# R04A Series Right Angle To PCB Connectors-FA Style

## Product Stereogram



## Outline Dimensions

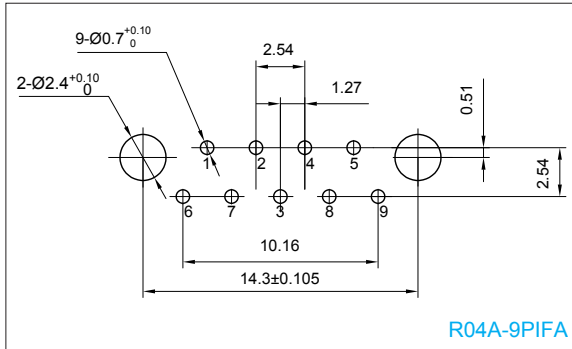


Part Number	A	B	C	D		E		F		G	
				PI	RH	PI	RH	PI	RH	PI	RH
R04A-9PIFA	19.6	14.3	14.3	8.4	10.16	4.7	6.1	0.51	0.51	10.7	10.7
R04A-15PIFA	23.5	18.2	18.2	12.3	14	4.7	6.1	3.05	3.05	10.7	10.7
R04A-21PIFA	27.3	22	22	16.1	17.8	4.7	6.1	3.05	3.05	10.7	10.7
R04A-25PIFA	29.8	24.5	24.5	18.6	20.3	4.7	6.1	3.05	3.05	10.7	10.7
R04A-31PIFA	33.6	28.3	28.3	22.4	24.12	4.7	6.1	3.05	3.05	13.1	13.1
R04A-37PIFA	37.4	32.1	32	26.3	27.9	4.7	6.1	3.05	3.05	13.1	13.1
R04A-51PIFA	36.45	30.86	30.86	25.02	26.67	5.79	7.52	3.81	3.81	16.76	16.76

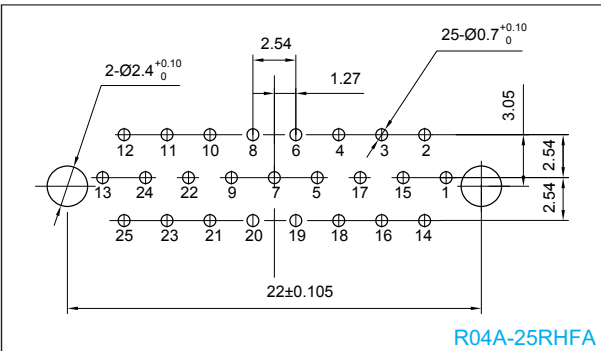
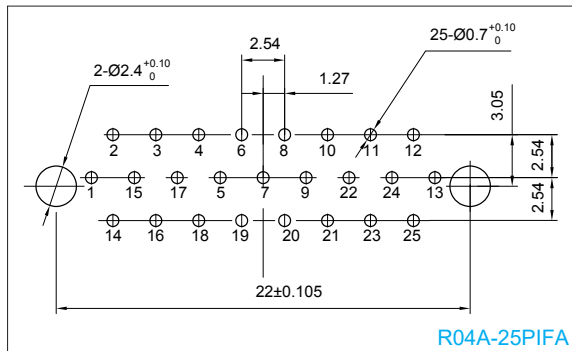
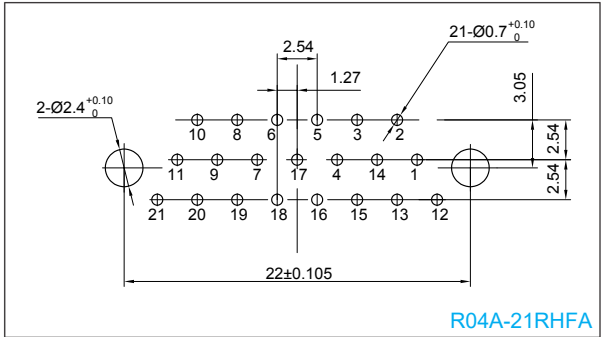
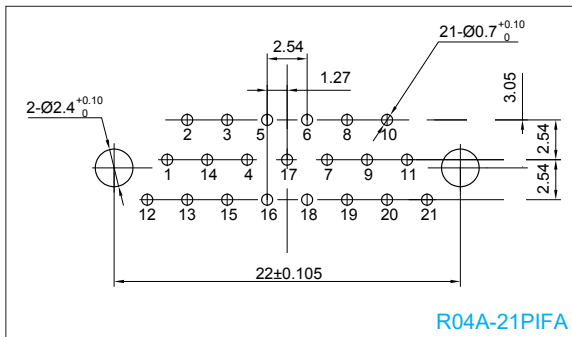
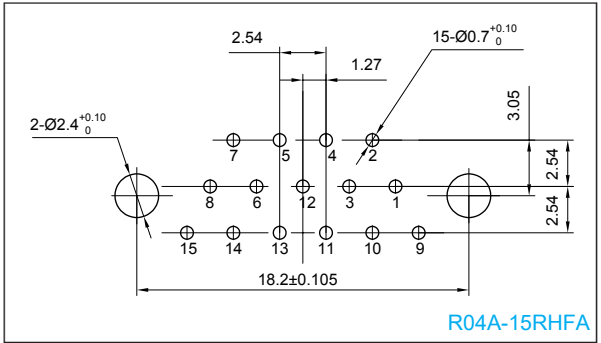
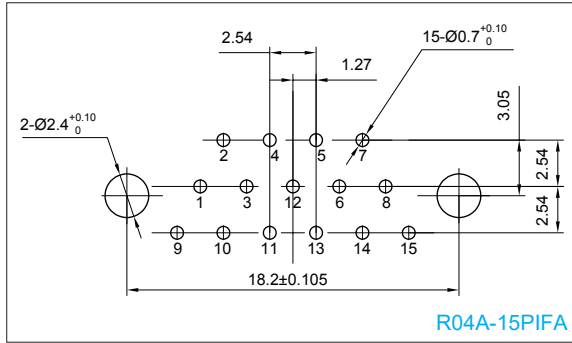
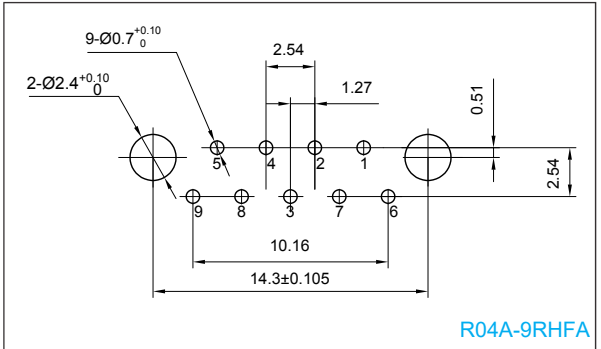
Remark: All dimensions are in mm.

# R04A Series Right Angle to PCB Connectors FA Style-PCB Layout

## Plug Connectors



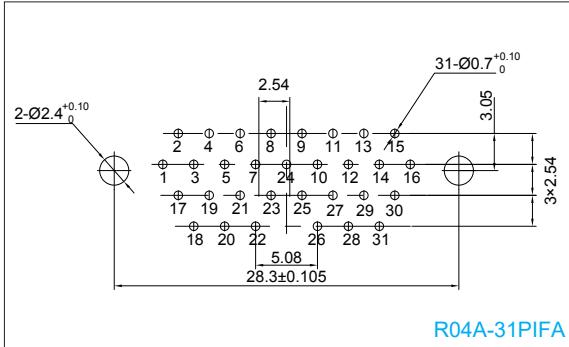
## Receptacle Connectors



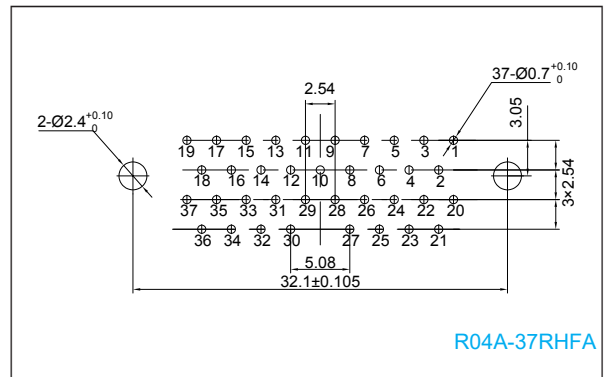
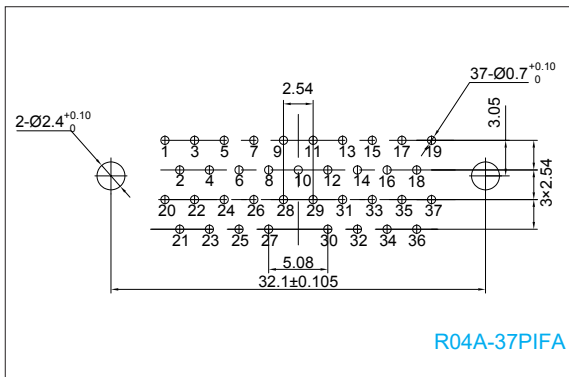
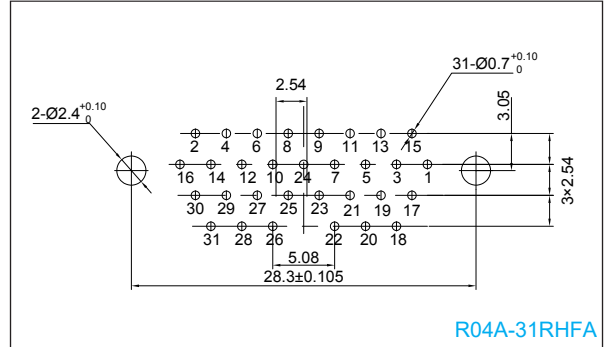
Remark: 1. All dimensions are in mm.  
2. View top side from PCB board.

## R04A Series Right Angle to PCB Connectors FA Style-PCB Layout

### Plug Connectors



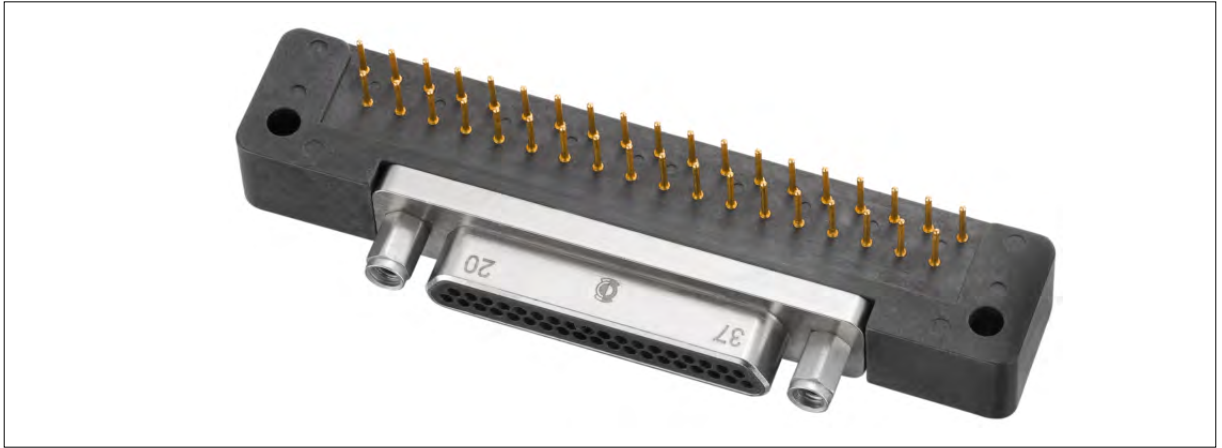
### Receptacle Connectors



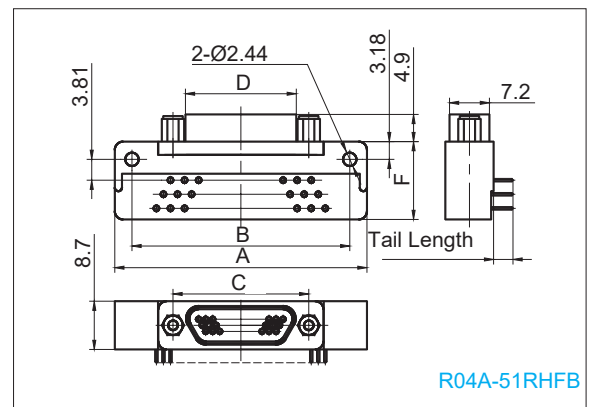
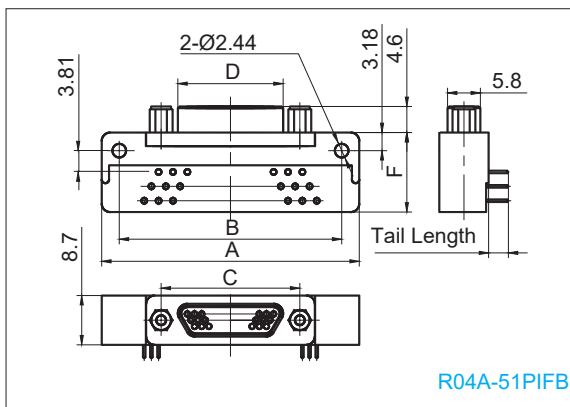
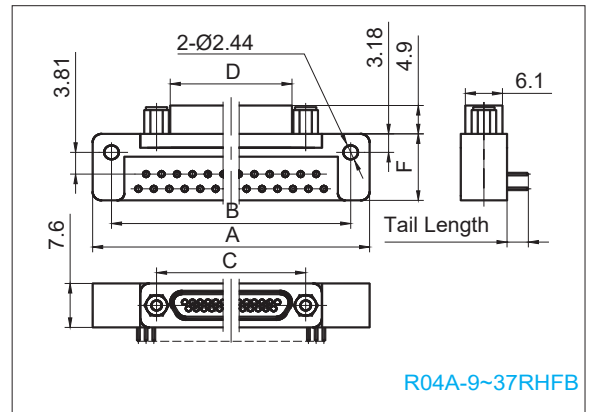
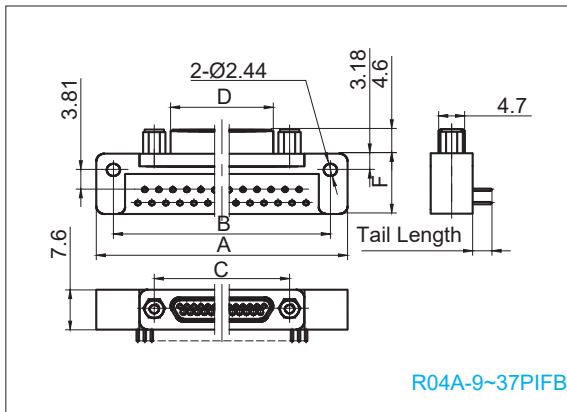
Remark: 1. All dimensions are in mm.  
2. View top side from PCB board.

# R04A Series Right Angle To PCB Connectors-FB Style

## Product Stereogram

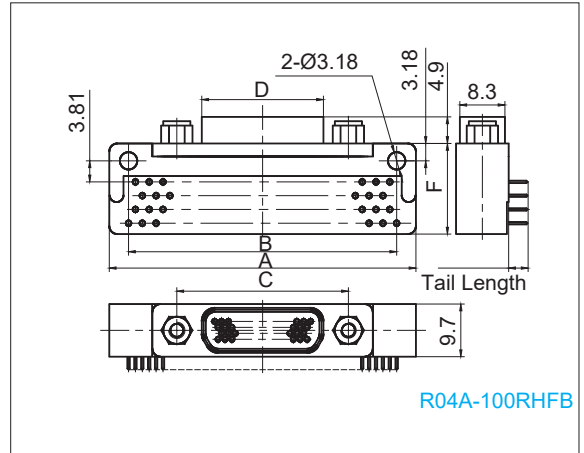
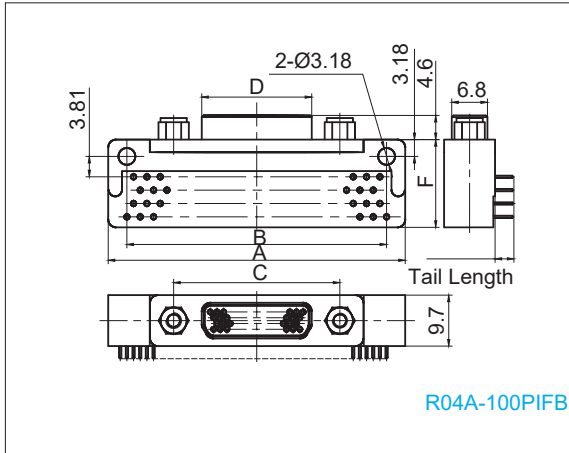


## Outline Dimensions



Remark 1. All dimensions are in mm.

## Outline Dimensions

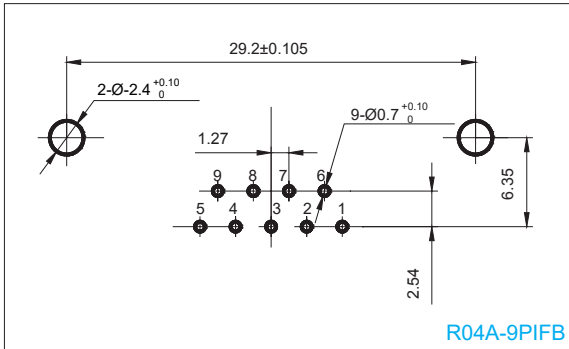


Part Number	Outline Dimensions				
	A	B	C	D	F
R04A-9PIFB	35.2	29.2	14.3	8.4	11.5
R04A-15PIFB	39	33	18.2	12.3	11.5
R04A-21PIFB	42.8	36.8	22	16.1	11.5
R04A-25PIFB	45.4	39.4	24.5	18.6	11.5
R04A-31PIFB	51.7	45.7	28.3	22.4	11.5
R04A-37PIFB	59.3	53.3	32.1	26.2	11.5
R04A-51PIFB	47.6	40.6	30.9	25	14.3
R04A-100PIFB	70.5	63.5	45.7	35.1	16.8
R04A-9RHFB	35.2	29.2	14.3	8.4	11.5
R04A-15RHFB	39	33	18.2	12.3	11.5
R04A-21RHFB	42.8	36.8	22	16.1	11.5
R04A-25RHFB	45.4	39.4	24.5	18.6	11.5
R04A-31RHFB	51.7	45.7	28.3	22.4	11.5
R04A-37RHFB	59.3	53.3	32.1	26.2	11.5
R04A-51RHFB	47.6	40.6	30.9	25	14.3
R04A-100RHFB	70.5	63.5	45.7	35.1	16.8

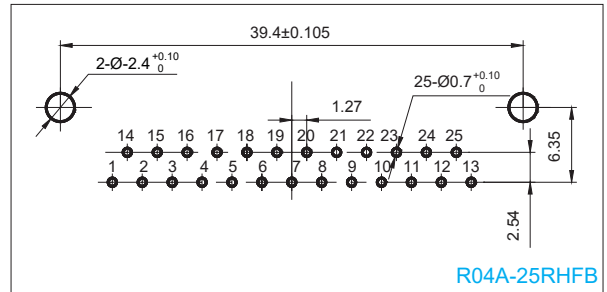
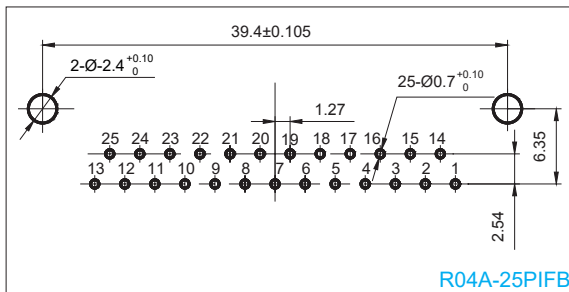
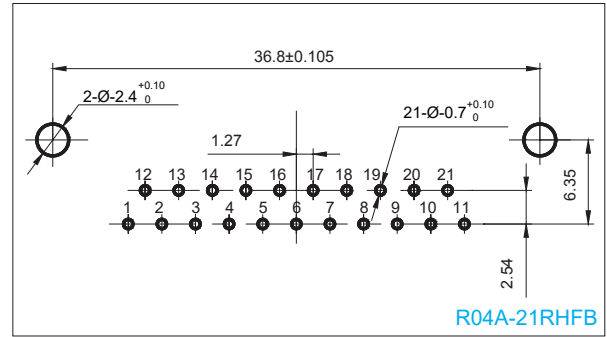
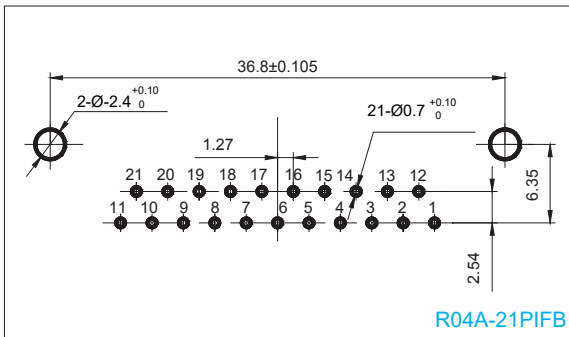
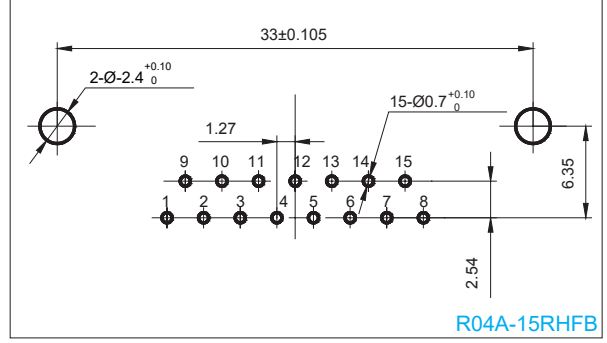
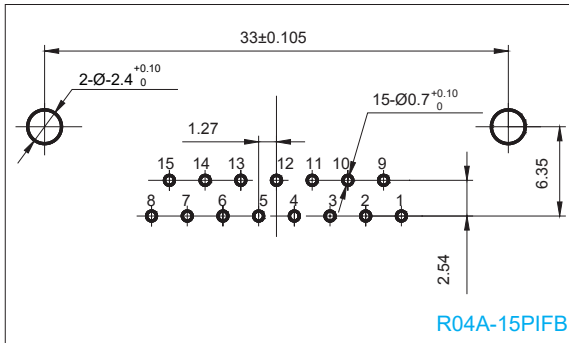
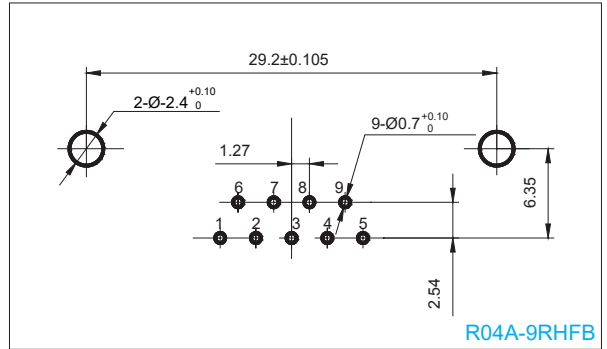
Remark: All dimensions are in mm.

**R04A Series Right Angle to PCB Connectors FB Style-PCB Layout**

**Plug Connectors**



**Receptacle Connectors**

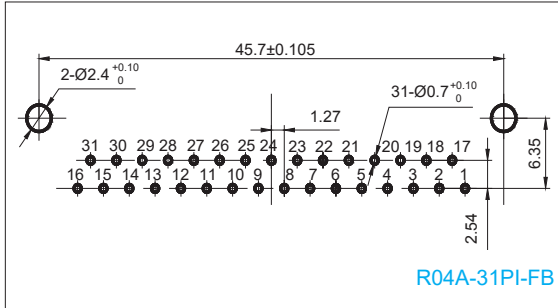


Remark: 1. All dimensions are in mm.  
2. View top side from PCB board.



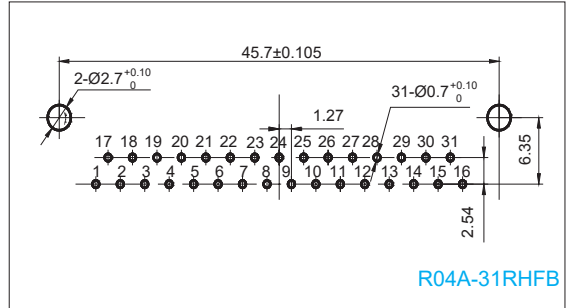
**R04A Series Right Angle to PCB Connectors FB Style-PCB Layout**

**Plug Connectors**

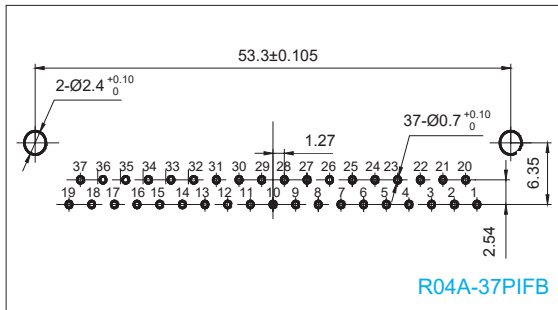


R04A-31PI-FB

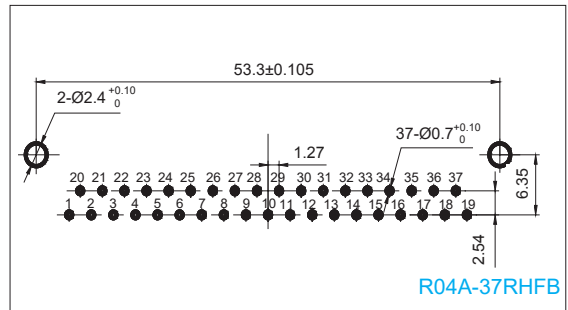
**Receptacle Connectors**



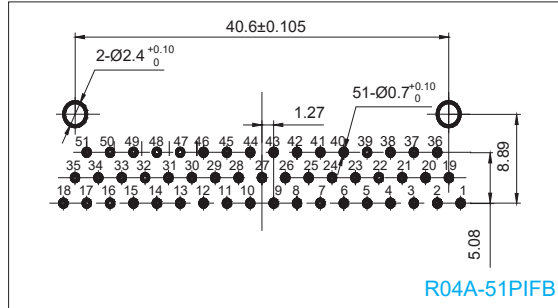
R04A-31RH-FB



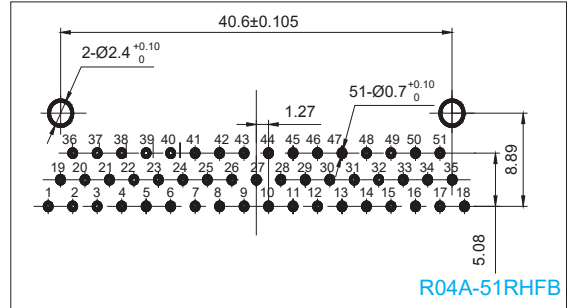
R04A-37PI-FB



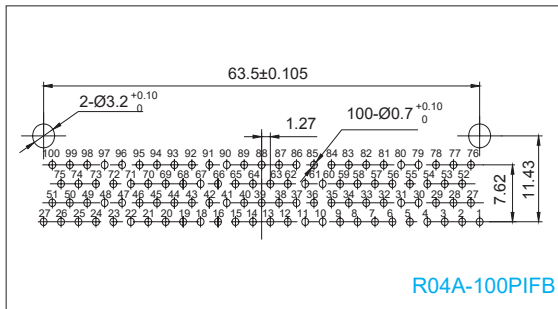
R04A-37RH-FB



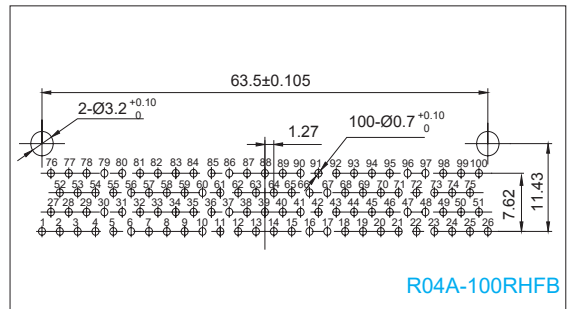
R04A-51PI-FB



R04A-51RH-FB



R04A-100PI-FB



R04A-100RH-FB

Remark: 1. All dimensions are in mm.  
2. View top side from PCB board.

# MIL-DTL-83513 Micro-D Connectors

## R04A Series Straight To PCB Connectors



### Brief Introduction

- Micro-D Connectors
- Twist Pin Contacts, High Density
- Metal Shell, Nickel or Cadmium Plating
- Straight to PCB Connectors
- Meets MIL-DTL-83513

### Specifications

■ Environment Temperature :	-55°C~+125°C
■ Vibration:	10Hz~2000Hz, 196m/s <sup>2</sup>
■ Random Vibration:	Power spectrum density 0.4G <sup>2</sup> /Hz, root mean square value of total acceleration 23.1G
■ Shock:	735m/s <sup>2</sup> , 11sm
■ Rated Current:	3A
■ Contact Resistance:	10mΩ
■ Insulation Resistance:	5000MΩ
■ Dielectric Strength:	800V
■ Durability:	500 times

### Product Stereogram

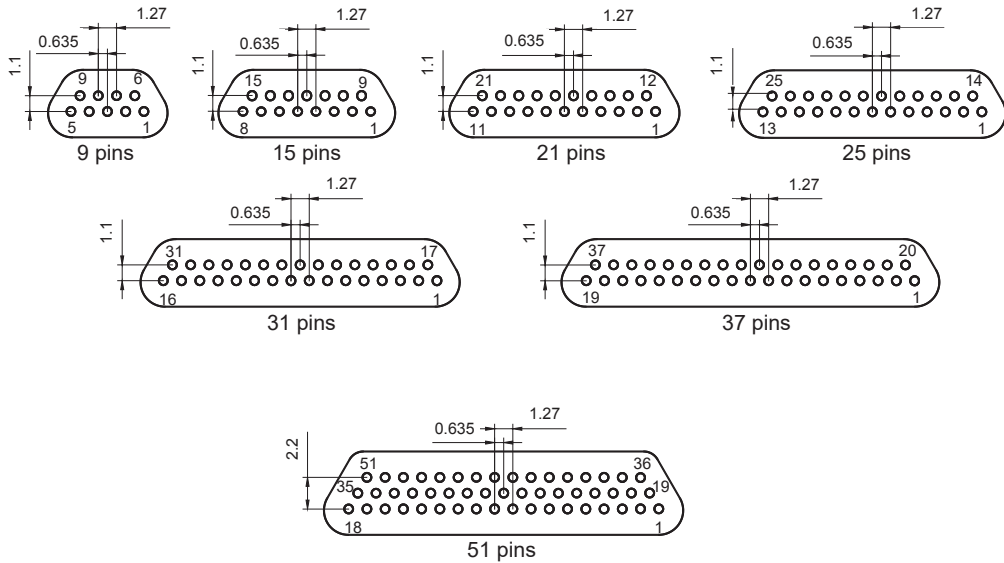


SA Style



SB Style

## Contact Arrangements



Mating Face of Male Connectors

## How To Order

<b>Sample Part Number</b>	<b>R04A</b>	<b>-31</b>	<b>PI</b>	<b>SA</b>	<b>3</b>	<b>N04</b>	<b>G</b>
<b>Series:</b> R04A—Micro-D Connectors for MIL-DTL-83513							
<b>Contact Number:</b> 9, 15, 21, 25, 31, 37, 51pins							
<b>Contact Type:</b> PI—Pin in Plug RH—Socket in Receptacle							
<b>Termination Type:</b> SA Style and The PCB Layout is 2.54*1.91mm SB Style and The PCB Layout is 2.54*2.54mm							
<b>Tail Length:</b> 1—2.77mm 2—3.56mm 3—4.37mm							
<b>Locking Hardware:</b> N04—Locking Hardware Type (See page 16)						No Code—No Locking Hardware	
<b>Shell Material and Finish ::</b> G—Aluminum Shell, Cadmium Plating							No Code—Aluminum Shell, Nickel Plating

## Locking Hardware

Code	Feature	Stereogram	Outline Dimensions
N04	1. Jackpost 2. Hex Head 3. Vertical Mounting with PCB		

Remark: All dimensions are in mm.

## Tail Lengths

Tail Code	Tail Length	Recommend The Thickness Of PCB
1	2.77	1.2~2.2
2	3.56	2.0~3.0
3	4.37	2.8~3.8

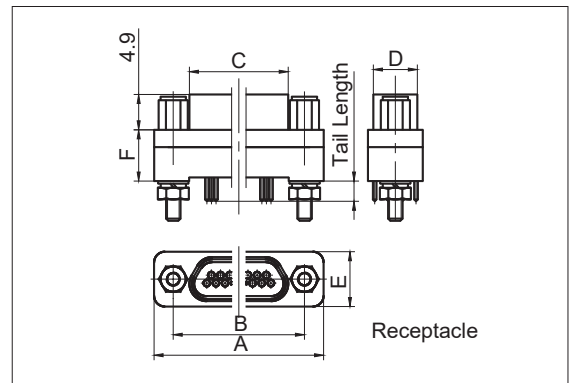
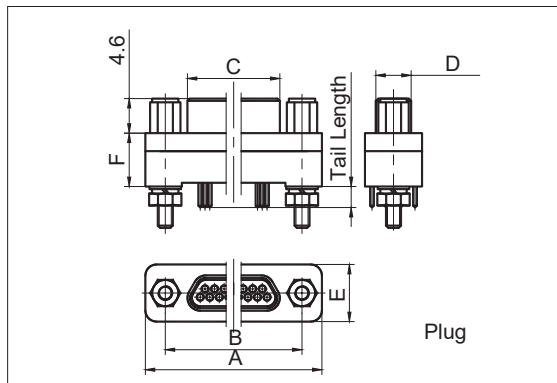
Remark: All dimensions are in mm.

## R04A Series Straight To PCB Connectors-SA Style

### Product Stereogram



### Outline Dimensions



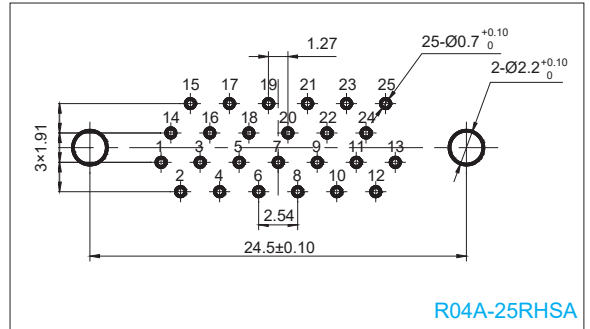
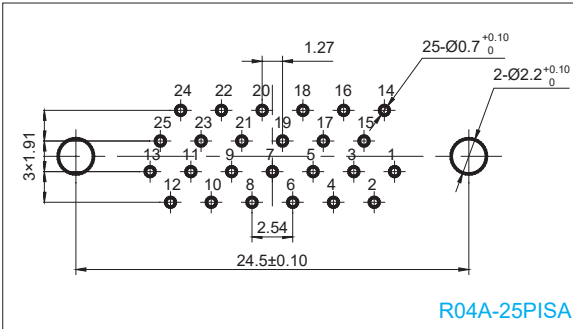
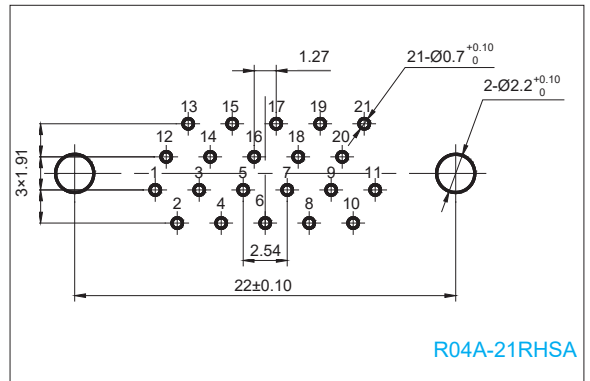
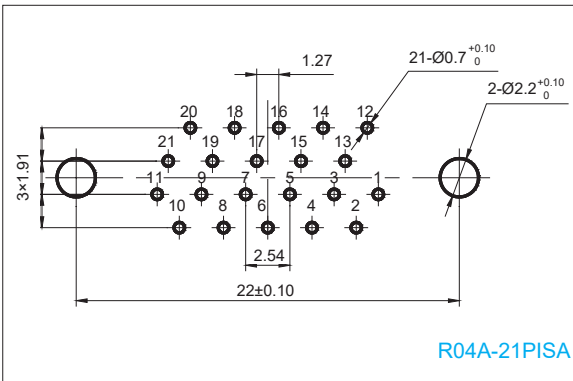
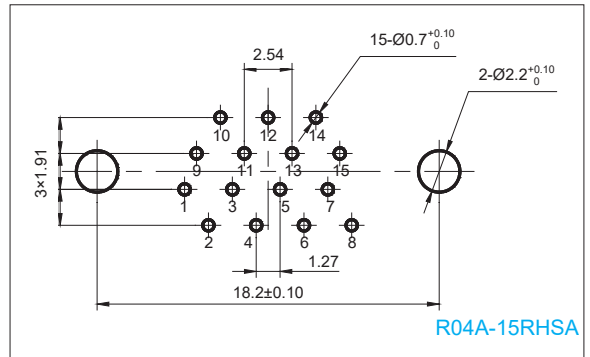
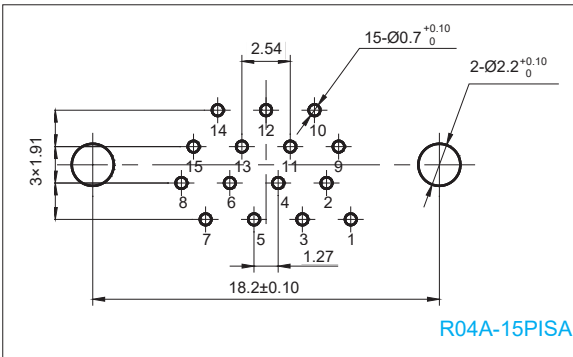
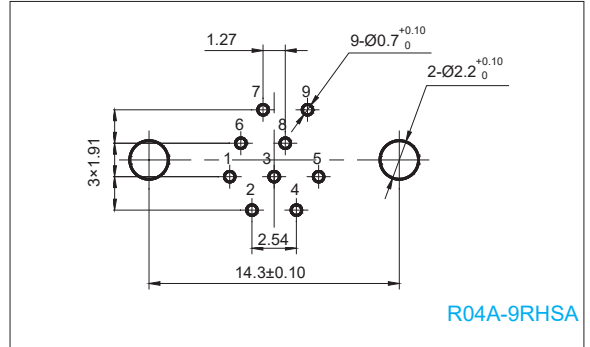
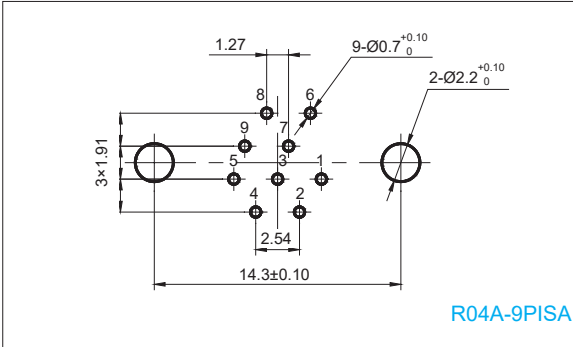
Part Number	Outline Dimensions					
	A	B	C	D	E	F
R04A-9PISA	19.6	14.3	8.4	4.7	7.6	7.1
R04A-15PISA	23.8	18.2	12.3	4.7	7.6	7.1
R04A-21PISA	27.3	22	16.1	4.7	7.6	7.1
R04A-25PISA	29.8	24.5	18.6	4.7	7.6	7.1
R04A-31PISA	33.6	28.3	22.4	4.7	7.6	7.1
R04A-37PISA	37.4	32.1	26.2	4.7	7.6	7.1
R04A-51PISA	36.5	30.9	25	5.8	8.7	8.2
R04A-9RHSA	19.6	14.3	9.9	6.1	7.6	7.1
R04A-15RHSA	23.5	18.2	13.7	6.1	7.6	7.1
R04A-21RHSA	27.3	22	17.5	6.1	7.6	7.1
R04A-25RHSA	29.8	24.5	20.1	6.1	7.6	7.1
R04A-31RHSA	33.6	28.3	23.9	6.1	7.6	7.1
R04A-37RHSA	37.4	32.1	27.7	6.1	7.6	7.1
R04A-51RHSA	36.5	30.9	26.7	7.2	8.7	8.2

Remark: All dimensions are in mm.

## R04A Series Straight to PCB Connectors SA Style-PCB Layout

### Plug Connectors

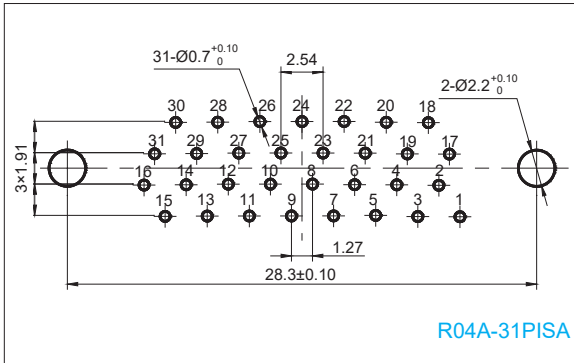
### Receptacle Connectors



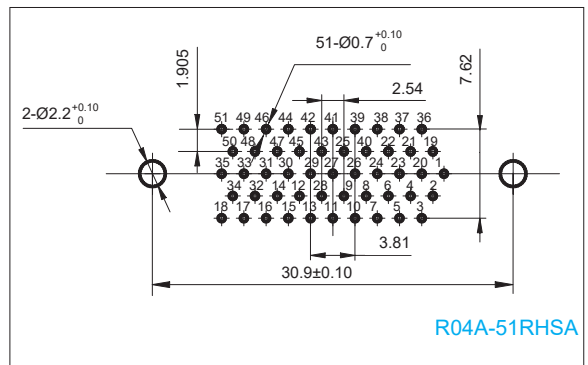
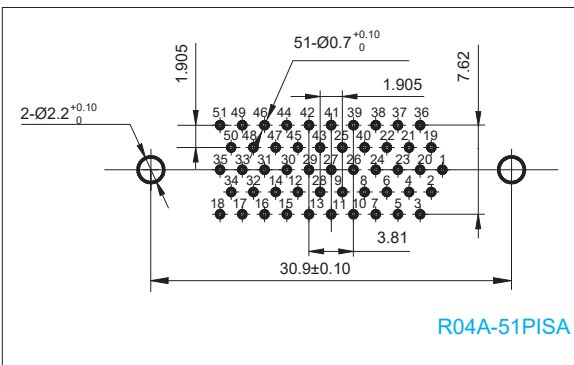
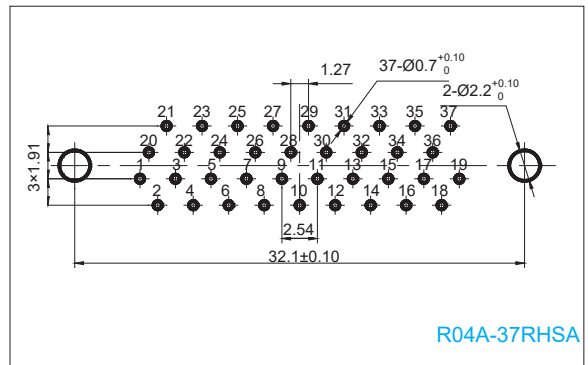
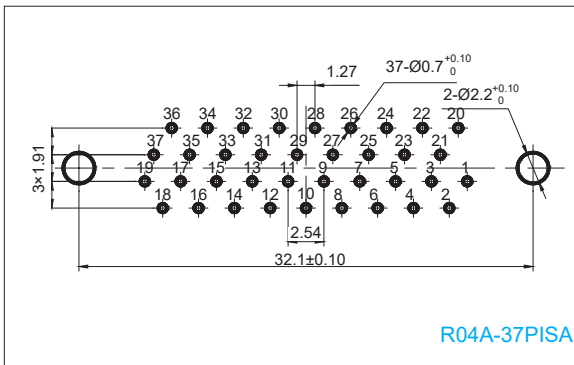
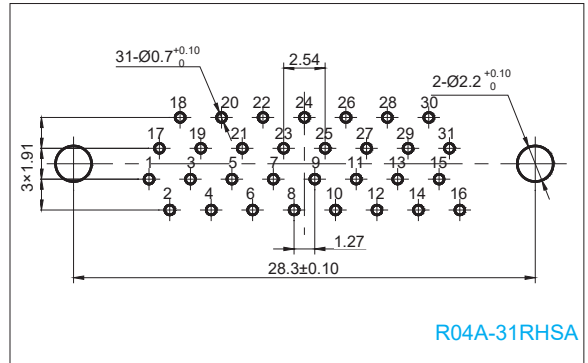
Remark: 1. All dimensions are in mm.  
2. View top side from PCB board.

## R04A Series Right Angle to PCB Connectors SA Style-PCB Layout

### Plug Connectors



### Receptacle Connectors



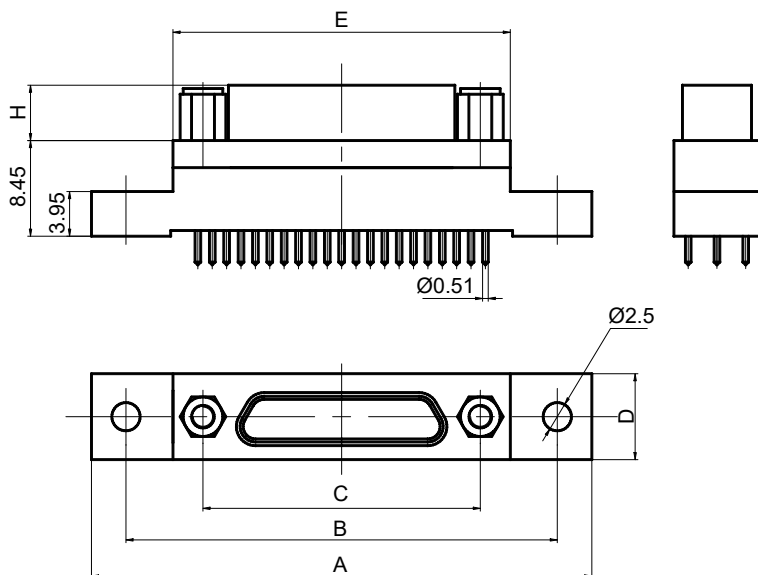
Remark: 1. All dimensions are in mm.  
2. View top side from PCB board.

## R04A Series Straight To PCB Connectors-SB Style

### Product Stereogram



### Outline Dimensions



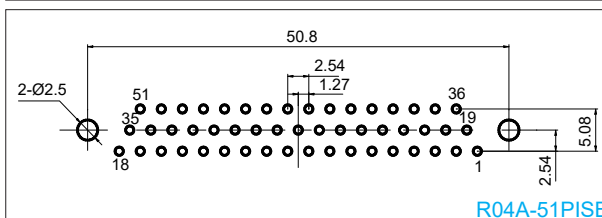
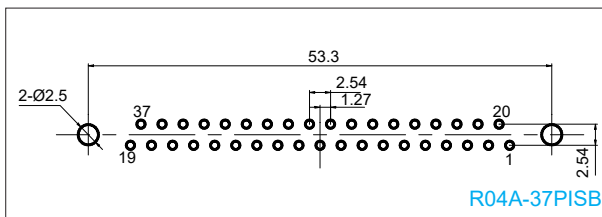
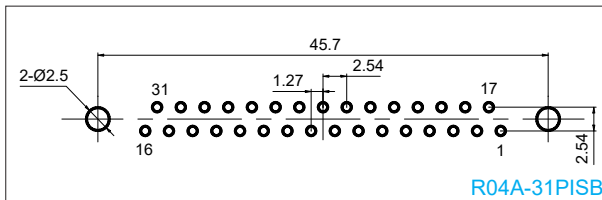
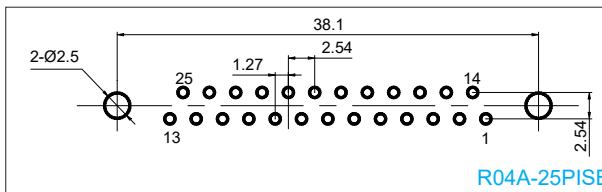
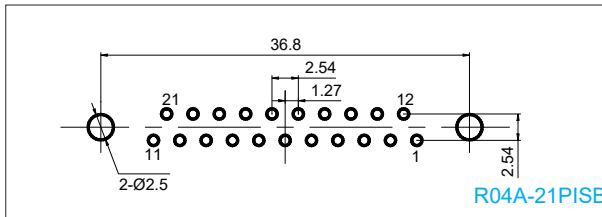
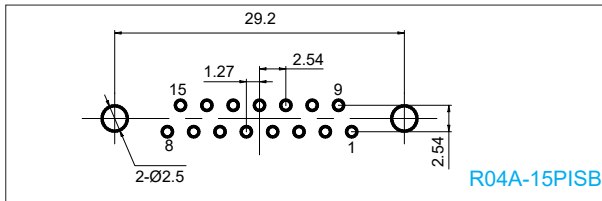
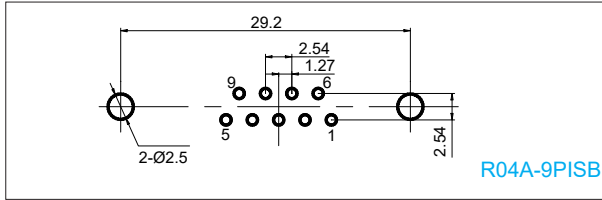
Part Number	Outline Dimensions						
	A	B	C	D	E	H	
						PI	RH
R04A-9PISB	35.31	29.21	14.35	7.9	20.1	4.6	4.9
R04A-15PISB	35.31	29.21	18.16	7.9	23.9	4.6	4.9
R04A-21PISB	42.93	36.83	21.97	7.9	30.0	4.6	4.9
R04A-25PISB	44.2	38.1	24.51	7.9	32.4	4.6	4.9
R04A-31PISB	51.82	45.72	28.32	7.9	40.0	4.6	4.9
R04A-37PISB	59.44	53.34	32.13	7.9	47.6	4.6	4.9
R04A-51PISB	57.64	50.8	30.86	8.9	45.1	4.6	4.9

Remark: All dimensions are in mm.



## R04A Series Right Angle to PCB Connectors SB Style-PCB Layout

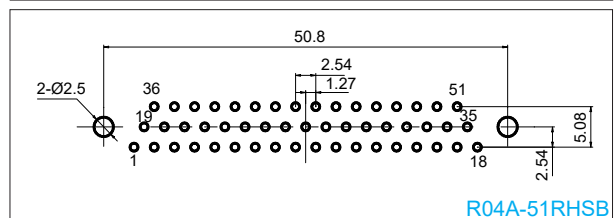
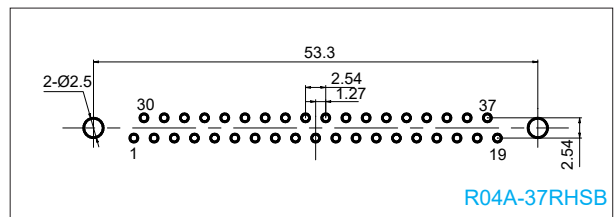
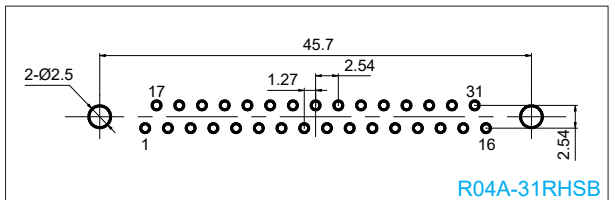
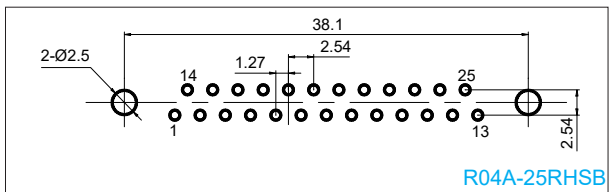
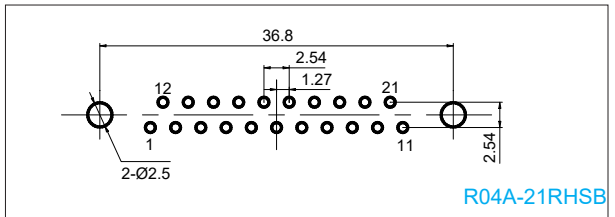
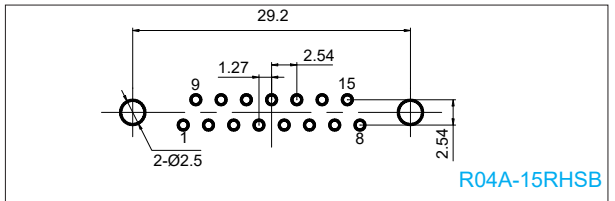
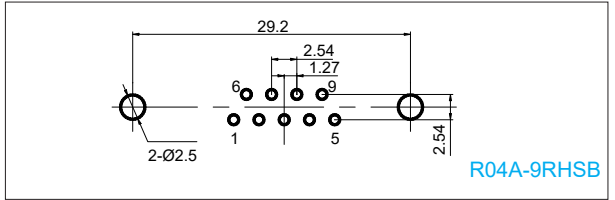
### Plug Connectors



Remark: 1. All dimensions are in mm.

2. View top side from PCB board.

### Receptacle Connectors



## MIL-DTL-83513 Micro-D Connectors

### R04A Series Solder Cup Connectors



#### Brief Introduction

- Micro-D Connectors
- Twist Pin Contacts, High Density
- Metal Shell, Nickel or Cadmium Plating
- Solder Cup Connectors
- Meets MIL-DTL-83513

#### Specifications

■ Environment Temperature:	-55 °C ~ 125 °C
■ Vibration:	10Hz~2000Hz, 196m/s <sup>2</sup>
■ Random Vibration:	Power spectrum density 0.4G <sup>2</sup> /Hz, root mean square value of total acceleration 23.1G
■ Shock:	735m/s <sup>2</sup> 11sm
■ Rated Current:	3A
■ Contact Resistance:	≤10mΩ
■ Insulation Resistance:	≥5000MΩ
■ Dielectric Strength:	800V
■ Durability:	500 times

#### Product Stereogram

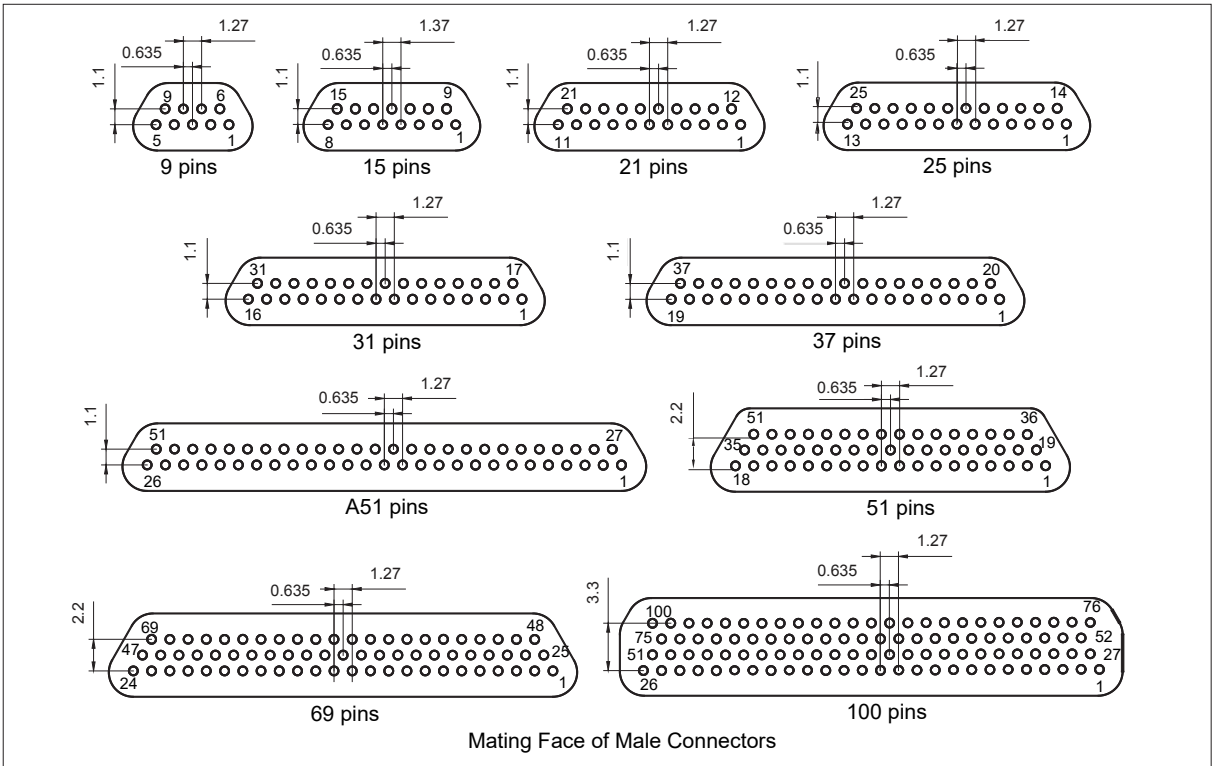


Plug



Receptacle

## Contact Arrangements

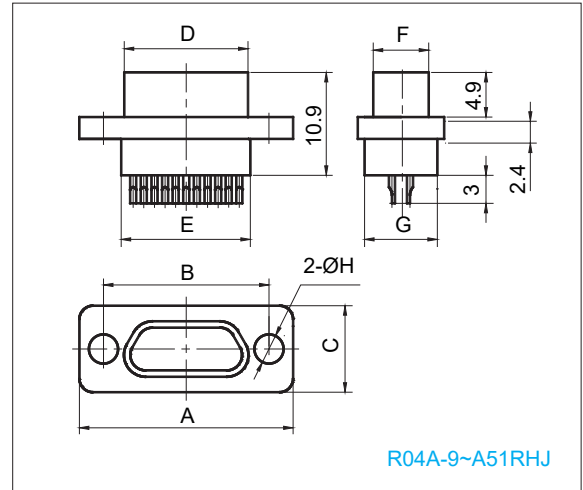
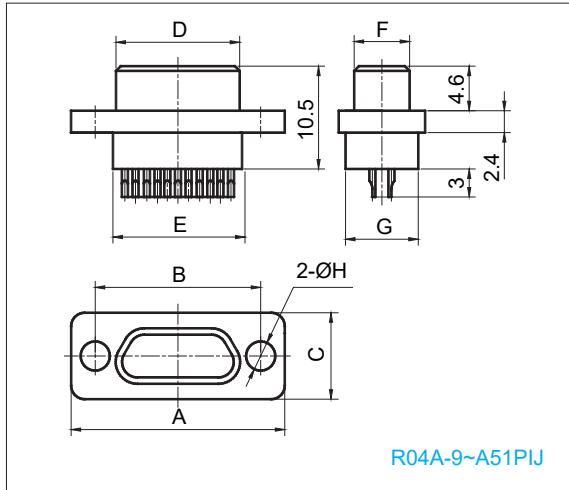


## How To Order

<b>Sample Part Number</b>	<b>R04A</b>	<b>-31</b>	<b>PI</b>	<b>J</b>	<b>B01</b>	<b>G</b>	<b>AB</b>
<b>Series:</b> R04A—Micro-D Connectors for MIL-DTL-83513							
<b>Contact Number:</b> 9, 15, 21, 25, 31, 37, A51, 51, 69, 100pins							
<b>Contact Type:</b> PI—Pin in Plug      RH—Socket in Receptacle							
<b>Tail Termination Style:</b> J—Solder Cup							
<b>Locking Hardware Type:</b> B01—Locking Hardware Type (See page 26 to 30)      No Code—No Locking Hardware							
<b>Shell Material and Finish :</b> G—Aluminum Shell, Cadmium Plating      No Code—Aluminum Shell, Nickel Plating							
<b>Backshell Type:</b> AB—Backshell Type (See page 31 to 33)      No Code—No Backshell							

## R04A Series Solder Cup Connectors

### Outline Dimensions

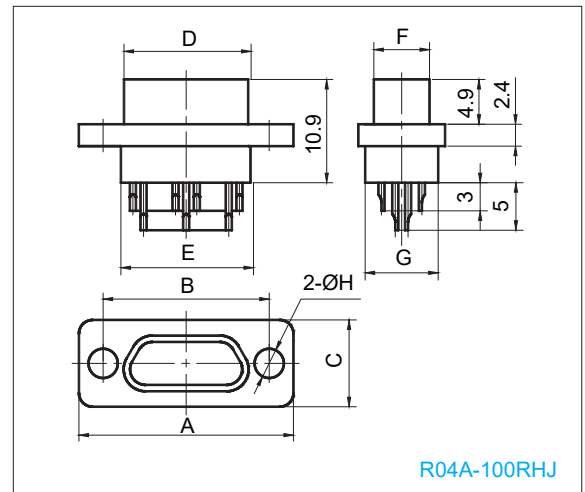
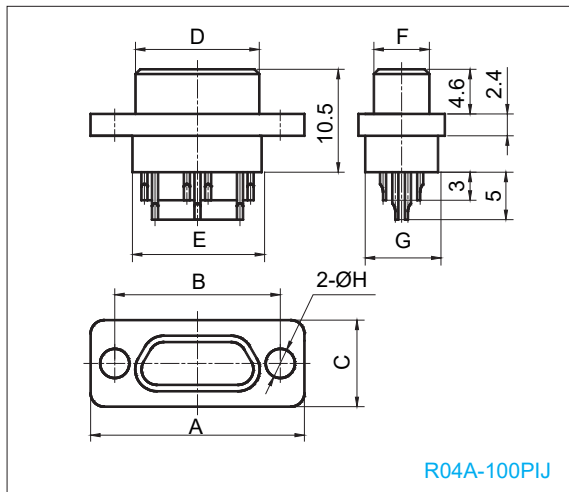
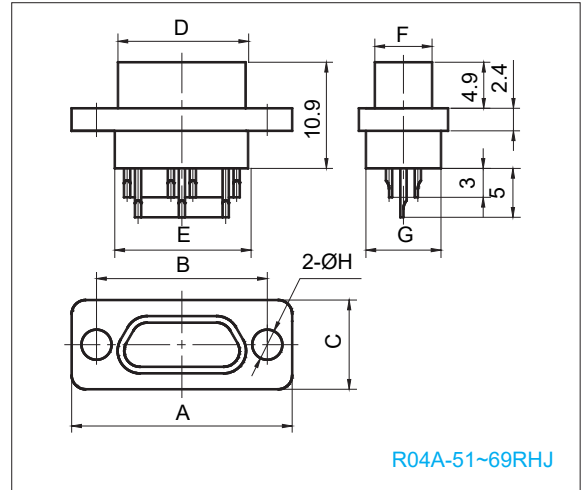
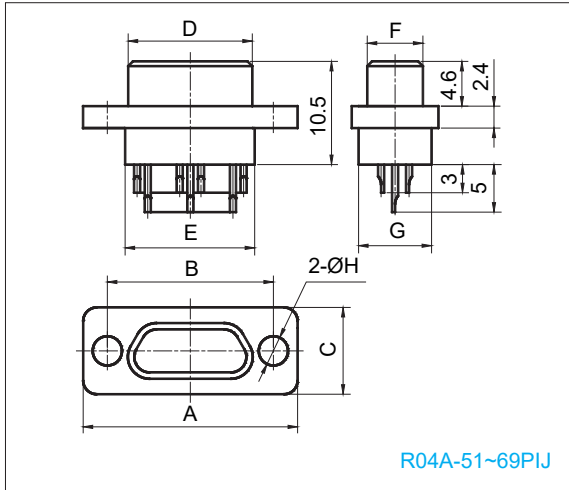


Part Number	Outline Dimensions							
	A	B	C	D	E	F	G	H
R04A-9PIJ	19.6	14.3	7.6	8.4	9.9	4.7	6.8	2.31
R04A-15PIJ	23.5	18.2	7.6	12.3	13.8	4.7	6.8	2.31
R04A-21PIJ	27.3	22	7.6	16.1	17.6	4.7	6.8	2.31
R04A-25PIJ	29.8	24.5	7.6	18.6	20.2	4.7	6.8	2.31
R04A-31PIJ	33.6	28.3	7.6	22.4	24	4.7	6.8	2.31
R04A-37PIJ	37.4	32.1	7.6	26.2	27.8	4.7	6.8	2.31
R04A-A51PIJ	46.3	41	7.6	35	36.7	4.7	6.8	2.31
R04A-9RHJ	19.6	14.3	7.6	9.9	9.9	6.1	6.8	2.31
R04A-15RHJ	23.5	18.2	7.6	13.7	13.8	6.1	6.8	2.31
R04A-21RHJ	27.3	22	7.6	17.5	17.6	6.1	6.8	2.31
R04A-25RHJ	29.8	24.5	7.6	20.1	20.2	6.1	6.8	2.31
R04A-31RHJ	33.6	28.3	7.6	23.9	24	6.1	6.8	2.31
R04A-37RHJ	37.4	32.1	7.6	27.7	27.8	6.1	6.8	2.31
R04A-A51RHJ	46.3	41	7.6	36.5	36.7	6.1	6.8	2.31

Remark: All dimensions are in mm.

## R04A Series Solder Cup Connectors

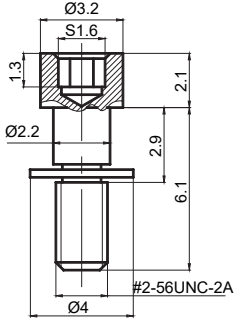
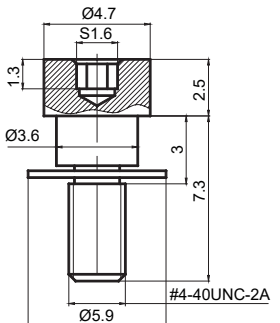
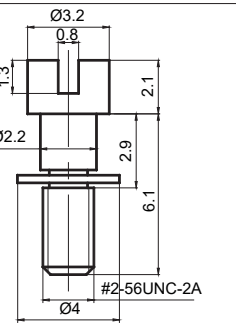
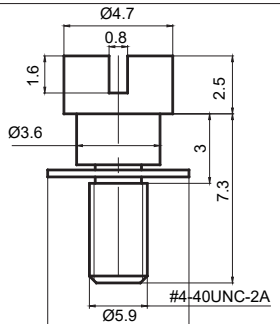
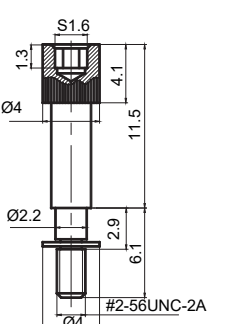
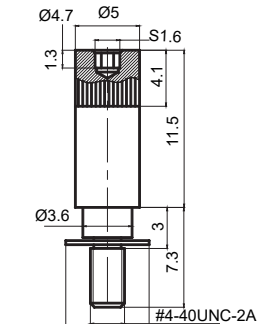
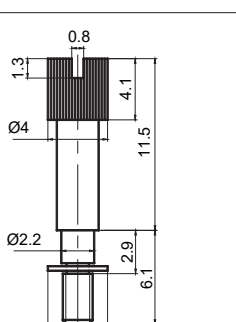
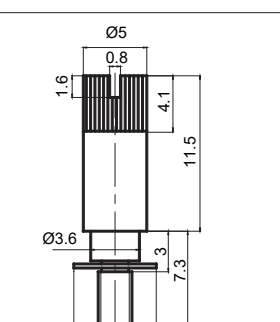
### Outline Dimensions



Part Number	Outline Dimensions							
	A	B	C	D	E	F	G	H
R04A-51PIJ	36.2	30.9	8.7	25	26.6	5.8	7.9	2.31
R04A-69PIJ	43.8	38.5	8.7	32.6	34.2	5.8	7.9	2.31
R04A-100PIJ	54.7	45.7	9.7	35.1	36.6	6.8	9.1	3.7
R04A-51RHJ	36.2	30.9	8.7	26.5	26.6	7.2	7.9	2.31
R04A-69RHJ	43.8	38.5	8.7	34.1	34.2	7.2	7.9	2.31
R04A-100RHJ	54.7	45.7	9.7	36.6	36.6	8.3	9.1	3.7

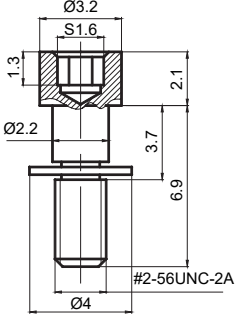
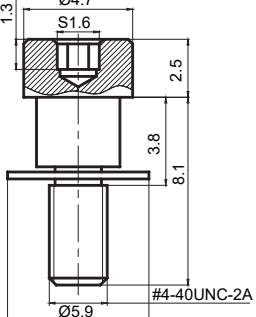
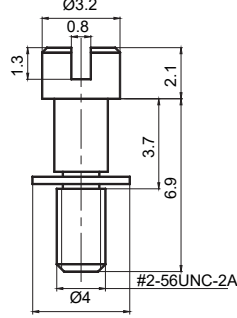
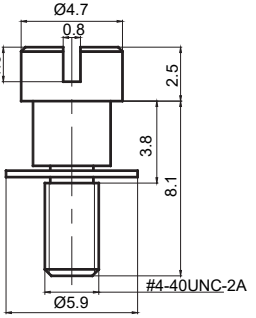
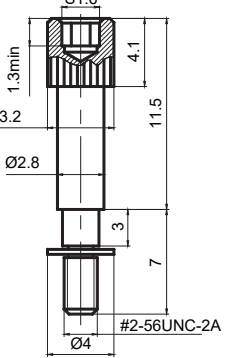
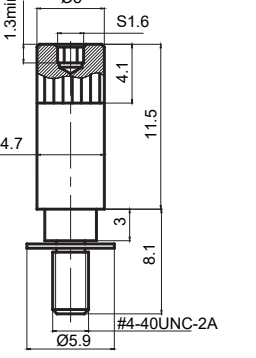
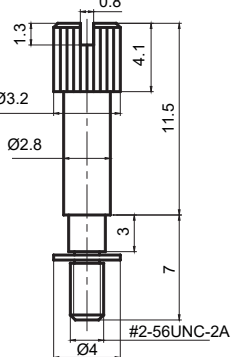
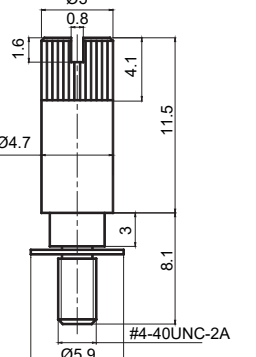
Remark: All dimensions are in mm.

## Locking Hardware

Code	Feature	Outline Dimensions	
		9~69pins	100pins
B01	<ol style="list-style-type: none"> <li>Removable</li> <li>Short Jackscrew with A Retainer Ring</li> <li>Hex Head</li> </ol>		
B02	<ol style="list-style-type: none"> <li>Removable</li> <li>Short Jackscrew with A Retainer Ring</li> <li>Slot Head</li> </ol>		
B03	<ol style="list-style-type: none"> <li>Removable</li> <li>Long Jackscrew with A Retainer Ring</li> <li>Hex Head</li> </ol>		
B04	<ol style="list-style-type: none"> <li>Removable</li> <li>Long Jackscrew with A Retainer Ring</li> <li>Slot Head</li> </ol>		

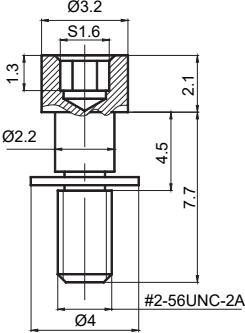
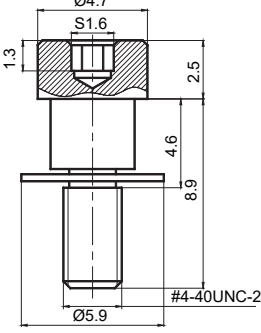
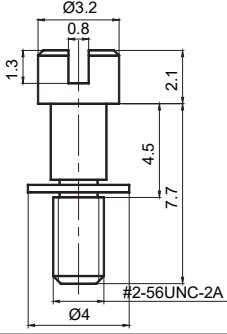
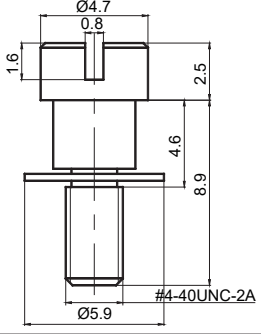
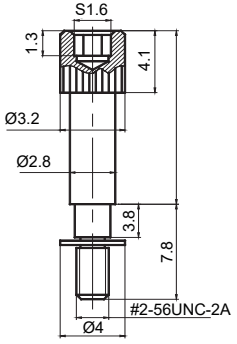
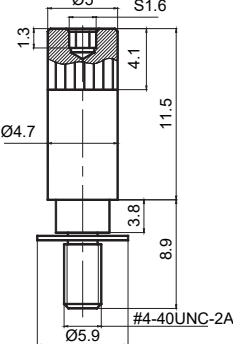
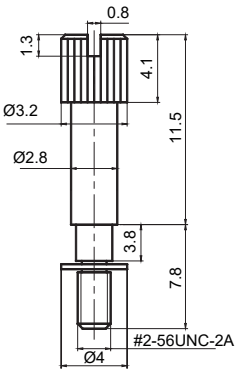
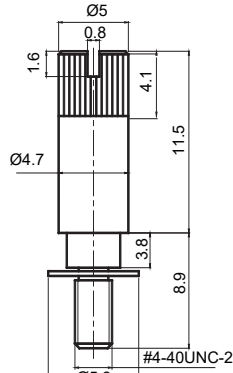
Remark: All dimensions are in mm.

## Locking Hardware

Code	Feature	Outline Dimensions	
		9~69pins	100pins
B05	<ol style="list-style-type: none"> <li>Removable</li> <li>Short Jackscrew with A Retainer Ring</li> <li>Hex Head</li> <li>For Connectors with AA, AB, AC, AD or AG Type Backshells</li> </ol>		
B06	<ol style="list-style-type: none"> <li>Removable</li> <li>Short Jackscrew with A Retainer Ring</li> <li>Slot Head</li> <li>For Connectors with AA, AB, AC, AD or AG Type Backshells</li> </ol>		
B07	<ol style="list-style-type: none"> <li>Removable</li> <li>Long Jackscrew with A Retainer Ring</li> <li>Hex Head</li> <li>For Connectors with AA, AB, AC, AD or AG Type Backshells</li> </ol>		
B08	<ol style="list-style-type: none"> <li>Removable</li> <li>Long Jackscrew with A Retainer Ring</li> <li>Slot Head</li> <li>For Connectors with AA, AB, AC, AD or AG Type Backshells</li> </ol>		

Remark: All dimensions are in mm.

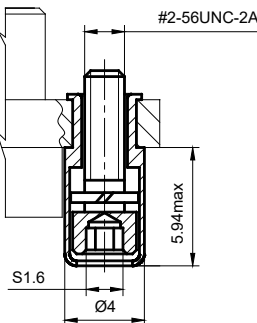
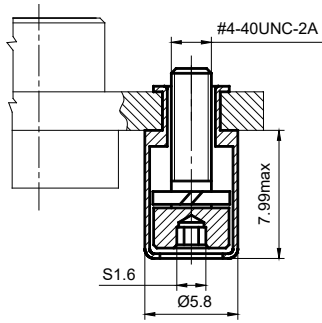
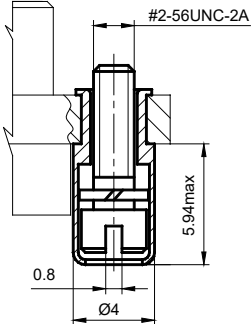
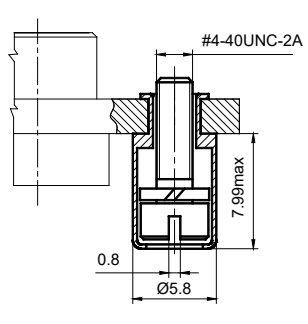
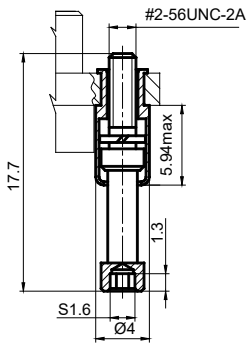
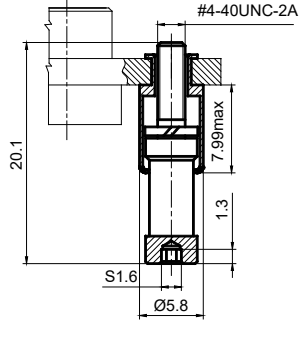
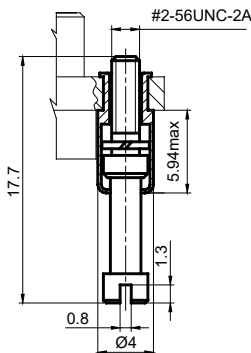
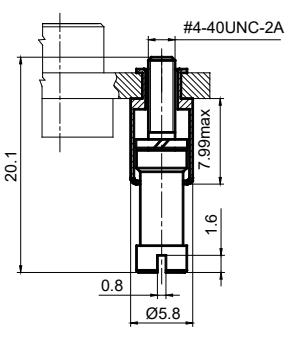
## Locking Hardware

Code	Feature	Outline Dimensions	
		9~69pins	100pins
B10	<ol style="list-style-type: none"> <li>Removable</li> <li>Short Jackscrew with A Retainer Ring</li> <li>Hex Head</li> <li>For Connectors with AH or AJ Type Backshells</li> </ol>		
B11	<ol style="list-style-type: none"> <li>Removable</li> <li>Short Jackscrew with A Retainer Ring</li> <li>Slot Head</li> <li>For Connectors with AH or AJ Type Backshells</li> </ol>		
B12	<ol style="list-style-type: none"> <li>Removable</li> <li>Long Jackscrew with A Retainer Ring</li> <li>Hex Head</li> <li>For Connectors with AH or AJ Type Backshells</li> </ol>		
B13	<ol style="list-style-type: none"> <li>Removable</li> <li>Slot Long Jackscrew with A Retainer Ring</li> <li>Slot Head</li> <li>For Connectors with AH or AJ Type Backshells</li> </ol>		

Remark: All dimensions are in mm.

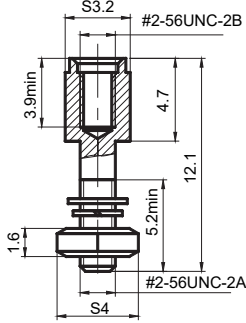
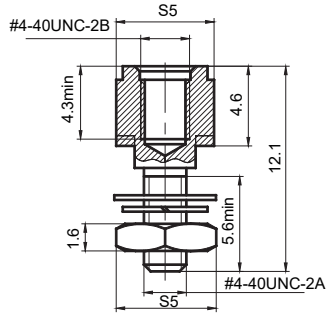
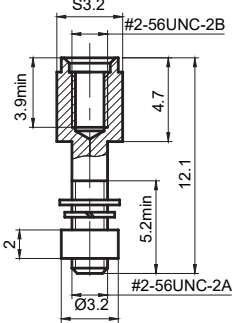
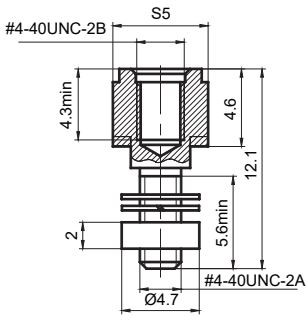
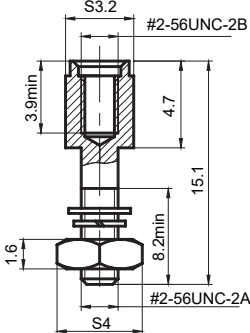
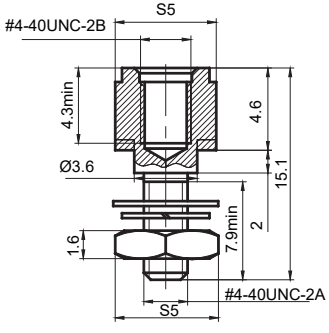


## Locking Hardware

Code	Feature	Outline Dimensions	
		9~69pins	100pins
S01	<ol style="list-style-type: none"> <li>1. Non-Removable</li> <li>2. Short Jackscrew with A Retainer Sleeve</li> <li>3. Hex Head</li> </ol>		
S02	<ol style="list-style-type: none"> <li>1. Non-Removable</li> <li>2. Short Jackscrew with A Retainer Sleeve</li> <li>3. Slot Head</li> </ol>		
S03	<ol style="list-style-type: none"> <li>1. Non-Removable</li> <li>2. Long Jackscrew with A Retainer Sleeve</li> <li>3. Hex Head</li> </ol>		
S04	<ol style="list-style-type: none"> <li>1. Non-Removable</li> <li>2. Long Jackscrew with A Retainer Sleeve</li> <li>3. Slot Head</li> </ol>		



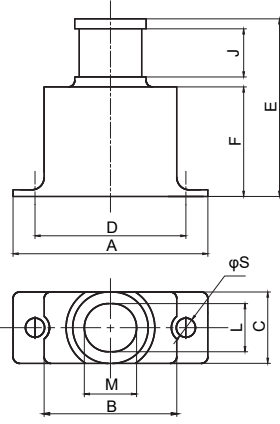

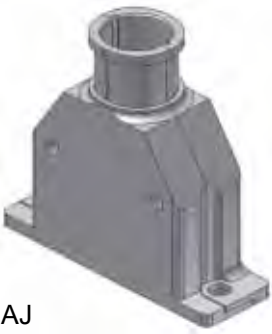

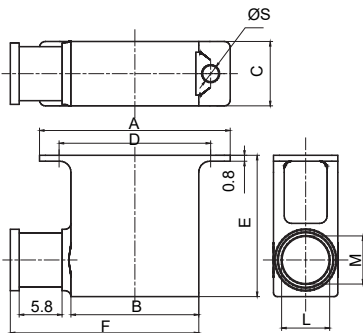
Remark: All dimensions are in mm.

## Locking Hardware

Code	Feature	Outline Dimensions	
		9~69pins	100pins
N01	<ol style="list-style-type: none"> <li>1. Hex Head Jackpost</li> <li>2. For Front Panel Mounting</li> <li>3. Panel Thickness is Not More Than 2mm</li> </ol>		
N06	<ol style="list-style-type: none"> <li>1. Hex Head Jackpost</li> <li>2. For Connectors with Backshells</li> </ol>		
N07	<ol style="list-style-type: none"> <li>1. Hex Head Jackpost</li> <li>2. For Front Panel Mounting</li> <li>3. Panel Thickness is Not More Than 5mm</li> </ol>		

Remark: All dimensions are in mm.

## Backshells

Stereogram & Feature		Outline Dimensions
 <p style="text-align: center; font-weight: bold;">AB</p> <p>AB Style: One-Piece, Standard Type</p>	 <p style="text-align: center; font-weight: bold;">AC</p> <p>AC Style: One-Piece, Wide Entry</p>	
 <p style="text-align: center; font-weight: bold;">AD</p> <p>AD Style: Two-Piece, Elongated Type</p>	 <p style="text-align: center; font-weight: bold;">AJ</p> <p>AJ Style: Two-Piece, Non-Skid and Elongated Type</p>	
 <p style="text-align: center; font-weight: bold;">AG</p> <p>AG Style: One-Piece, Standard Type with 90° Entry</p>		

Remark: All dimensions are in mm.

## Outline Dimensions Of Backshells

Part Number	Outline Dimensions									
	A	B	C	D	E	F	J	ØS	L	M
R04A-9-AB	19.6	11.2	8.7	14.3	21.4	13.2	5.8	2.31	-	4.7
R04A-15-AB	23.5	15	8.7	18.2	21.4	13.2	5.8	2.31	-	5.8
R04A-21-AB	27.3	18.8	8.7	22	21.4	13.2	5.8	2.31	-	6.5
R04A-25-AB	29.8	21.4	8.7	24.5	21.4	13.2	5.8	2.31	6.7	7.8
R04A-31-AB	33.6	25.2	8.7	28.3	21.4	13.2	5.8	2.31	6.7	8.3
R04A-37-AB	37.4	29	8.7	32.1	21.4	13.2	5.8	2.31	6.7	9.5
R04A-A51-AB	46.3	37.9	8.7	41	21.4	13.2	5.8	2.31	6.7	13
R04A-51-AB	36.2	27.8	9.7	30.9	23.7	15.5	5.8	2.31	7.5	11.9
R04A-69-AB	43.8	35.4	9.7	38.5	23.7	15.5	5.8	2.31	7.5	15.7
R04A-100-AB	54.7	38.7	11	45.7	24.2	16	5.8	3.7	8.7	17.4
R04A-9-AC	19.6	11.2	8.7	14.3	21.4	13.2	5.8	2.31	6.7	7.9
R04A-15-AC	23.5	15	8.7	18.2	21.4	13.2	5.8	2.31	6.7	11.6
R04A-21-AC	27.3	18.8	8.7	22	21.4	13.2	5.8	2.31	6.7	15.4
R04A-25-AC	29.8	21.4	8.7	24.5	21.4	13.2	5.8	2.31	6.7	18
R04A-31-AC	33.6	25.2	8.7	28.3	21.4	13.2	5.8	2.31	6.7	21.8
R04A-37-AC	37.4	29	8.7	32.1	21.4	13.2	5.8	2.31	6.7	25.6
R04A-A51-AC	46.3	37.9	8.7	41	21.4	13.2	5.8	2.31	6.7	26.2
R04A-51-AC	36.2	27.8	9.7	30.9	23.7	15.5	5.8	2.31	7.5	23.4
R04A-69-AC	43.8	35.4	9.7	38.5	23.7	15.5	5.8	2.31	7.5	29.4
R04A-100-AC	54.7	38.7	11	45.7	24.2	16	5.8	3.7	8.7	34.1
R04A-9-AD	19.6	12.1	8.7	14.3	29.4	21.2	5.8	2.31	-	4.7
R04A-15-AD	23.5	16	8.7	18.2	29.4	21.2	5.8	2.31	-	5.8
R04A-21-AD	27.3	19.8	8.7	22	29.4	21.2	5.8	2.31	-	6.5
R04A-25-AD	29.8	22.3	8.7	24.5	29.4	21.2	5.8	2.31	6.6	7.9
R04A-31-AD	33.6	26.1	8.7	28.3	29.4	21.2	5.8	2.31	6.6	8.4
R04A-37-AD	37.4	29.9	8.7	32.1	29.4	21.2	5.8	2.31	6.6	9.5
R04A-A51-AD	46.3	38.8	8.7	41	29.4	21.2	5.8	2.31	6.6	13.1
R04A-51-AD	36.2	28.7	9.7	30.9	31.7	23.5	5.8	2.31	7.5	11.9
R04A-69-AD	43.8	36.3	9.7	38.5	31.7	23.5	5.8	2.31	7.5	15.7
R04A-100-AD	54.7	38.8	11	45.7	32.2	24	5.8	3.7	8.7	17.5
R04A-9-AJ	19.6	12.1	8.7	14.3	29.4	21.2	5.8	2.31	-	4.7
R04A-15-AJ	23.5	16	8.7	18.2	29.4	21.2	5.8	2.31	-	5.8
R04A-21-AJ	27.3	19.8	8.7	22	29.4	21.2	5.8	2.31	-	6.5
R04A-25-AJ	29.8	22.3	8.7	24.5	29.4	21.2	5.8	2.31	6.6	7.9
R04A-31-AJ	33.6	26.1	8.7	28.3	29.4	21.2	5.8	2.31	6.6	8.4
R04A-37-AJ	37.4	29.9	8.7	32.1	29.4	21.2	5.8	2.31	6.6	9.5
R04A-A51-AJ	46.3	38.8	8.7	41	29.4	21.2	5.8	2.31	6.6	13.1
R04A-51-AJ	36.2	28.7	9.7	30.9	31.7	23.5	5.8	2.31	7.5	11.9
R04A-69-AJ	43.8	36.3	9.7	38.5	31.7	23.5	5.8	2.31	7.5	15.7
R04A-100-AJ	54.7	38.8	11	45.7	32.2	24	5.8	3.7	8.7	17.5
R04A-9-AG	19.6	11.2	8.7	14.3	17.3	19.4	-	2.31	-	4.7
R04A-15-AG	23.5	15	8.7	18.2	18.4	23.2	-	2.31	-	5.8
R04A-21-AG	27.3	18.8	8.7	22	19.1	27	-	2.31	-	6.5
R04A-25-AG	29.8	21.4	8.7	24.5	20.4	29.6	-	2.31	6.7	7.8

Remark: All dimension are in mm.

## Outline Dimensions Of Backshells

Part Number	Outline Dimensions									
	A	B	C	D	E	F	J	ØS	L	M
R04A-31-AG	33.6	25.2	8.7	28.3	20.9	33.4	-	2.31	6.7	8.3
R04A-37-AG	37.4	29	8.7	32.1	22.1	37.2	-	2.31	6.7	9.5
R04A-A51-AG	46.3	37.9	8.7	41	25.6	46.1	-	2.31	6.7	13
R04A-51-AG	36.2	27.8	9.7	30.9	24.5	36	-	2.31	7.5	11.9
R04A-69-AG	43.8	35.4	9.7	38.5	28.3	43.6	-	2.31	7.5	15.7
R04A-100-AG	54.7	38.7	11	45.7	30	46.9	-	3.7	8.7	17.4

Remark: All dimension are in mm.

