



Company Profile:

Sunkye International Co., Limited.(Connector) Business Group, with sixty five years of experience, specializes in designing and producing connectors, related components and cables. A wide range of connector products, twist pin connector, optical fiber connector, RF coaxial connector, separable connector, custom and application-

Company profile

specific connector, etc, which are widely used in military area: aerospace, aviation, electrical, ship-building, defense system, etc and civil area: communication, telecom, automotive, rail, etc.

Design team focuses on meeting customers' requirement with continuous innovative technology, manufacture team provides high quality products by utilizing advanced equipments in standardized processes to ensure customers' benefits.

Sunkye is ISO 9001 certified, UL, VDE, CE certification passed, and ensures products quality by testing in realistic conditions with advanced test facilities, professional test employees.

Sunkye team is committed to offering high quality products, best service, prompt delivery and competitive price for you.



Manufacture Equipment:

Five-Axis CNC, AGIE EDM, SODICK WEDM-LS, 40G Vector Network Analyzers, Vacuum Heat Treatment Equipment, Glass-sintered System, Laser Processing Center, High Velocity Ram Machine, Gold, Nickel and Cadmium Plating Production Line, Thermosetting Injection Machine, Thermoplastic Injection Machine, Swiss Automatic Lathe, etc.

Test Facilities:

Comprehensive Test Instrument of Temperature, Humidity and Vibration; Experimental Box of Temperature and Shock; layer thickness meter; Coordinate Measurement Machine, etc.



MIL-DTL-83513 Micro D-Sub Connectors

SUNKYE



CONTENT

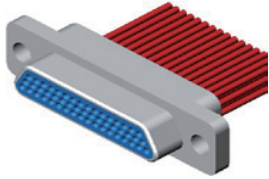


MIL-DTL-83513 Micro D-Sub Connectors

R04J Series Crimp Contact Type	1
R04J Series Straight to PCB Type.....	19
R04J Series Right Angle to PCB Type.....	31
R04J Series Solder Cup Connector.....	47

MIL-DTL-83513 Micro D-Sub Connectors

R04J Series Crimp Contact Type



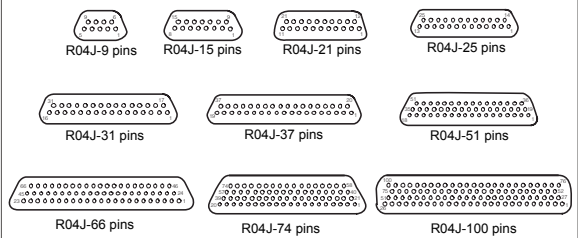
Introduction

- Micro-D connectors
- Twist pin contact, high density interconnection
- Metal shell, plated nickel or cadmium
- Crimp contact type
- The sectional area of cable: $0.1\text{mm}^2 \sim 0.15\text{mm}^2, 0.07\text{mm}^2$
- Meet MIL-DTL-83513

Specification

- Environment temperature: $-55^{\circ}\text{C} \sim 125^{\circ}\text{C}$
- Vibration: 10Hz~2000Hz, 196m/s^2
- Random vibration: Power spectrum density $0.4\text{G}^2/\text{Hz}$
root mean square value of total acceleration 23.1G
- Shock: 735m/s^2 11ms
- Rated current: 3A
- Contact resistance: $\leq 10\text{m}\Omega$
- Insulation resistance: $\geq 5000\text{M}\Omega$
- Dielectric strength: 800V
- Durability: 500 times

Contact arrangements

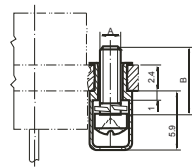
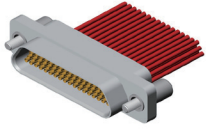
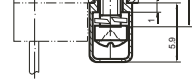
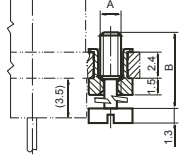
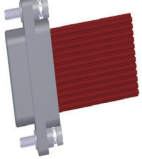
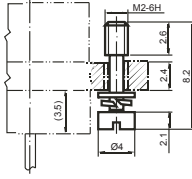
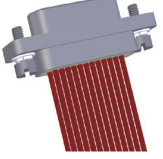
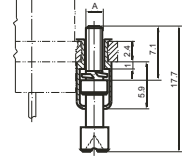
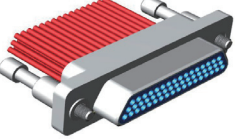


How To Order Crimp Contact Connectors

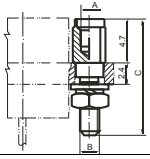
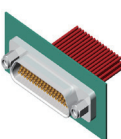
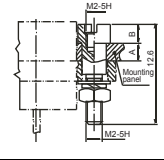
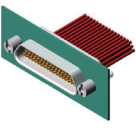
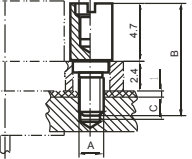
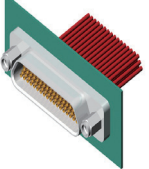
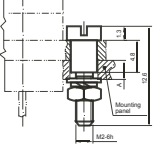
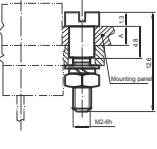
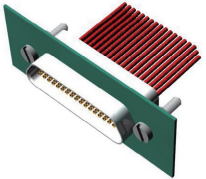
Sample part number	R04J	-25	PI	W7	G	A1	D
Series: R04J—standar type R04JA—fast lock type R04JC—Sn-P bronze shell, finish nickel R04JD—assembly hole is threaded hole:M2-6H R04JS—glue sealing							
Contact number: 9, 15, 21, 25, 31, 37, 51, 66, 74, 100pins							
Contact type : PI—pin in plug RH—socket in receptacle							
Locking component type: blank—without Regarding locking component type, please see page2							
Shell material and finish : Blank—Aluminum shell, finish nickel G—Aluminum shell, finish cadmium							
Cable clamp type: blank—without A1—A1 type A2—A2 type A3—A3 type, the datasheet, please see page3							
Extended Series : Blank—standard type D—with anti-rotation slot on the outer shell (9.6)—the width of flange is 9.6mm Q—widen the flange (11.6)—the width of flange is 11.6mm C—the outlet direction of cable is vertical to contacts Q8—the flange size and assembly hole size are enlarged from R04J crimp contact basic type							

Remark: The accessories is not included in the order information, please mark the cable type . For example:the sectional area, the length and the color of cable. If the cable is special, please provide the drawing and spec. to us.

R04J crimp contact type free end locking component

Type	A	B	Outline dimension	Assembly picture	Matched with locking component
W	M2-6h	7.1			Q,Q0,Q2,Q3,Q4,Q5,Q7,Q8,Q9,Q10,Q11, Q14,Q15,Q17,Q23,Q25,Q29,Q32,Q35, Q36,Q37,Q41,Q42,Q43,Q45,Q46
W8	#2-56UNC-2A	7.1			Q1
W7	M2-6h	7.1			Q,Q0,Q2,Q3,Q4,Q5,Q7,Q8,Q9,Q10,Q11, Q14,Q15,Q17,Q23,Q25,Q29,Q32,Q35, Q36,Q37,Q41,Q42,Q43,Q45,Q46
W9					Q,Q0,Q2,Q3,Q4,Q5,Q7,Q8,Q9,Q10,Q11, Q14,Q15,Q17,Q23,Q25,Q29,Q32,Q35, Q36,Q37,Q41,Q42,Q43,Q45,Q46 Note: W9 just suitable for R04JD series product.
N	M2-6h				Q,Q0,Q2,Q3,Q4,Q5,Q7,Q8,Q9,Q10,Q11, Q14,Q15,Q17,Q23,Q25,Q29,Q32,Q35, Q36,Q37,Q41,Q42,Q43,Q45,Q46
N1	#2-56UNC-2A				Q1



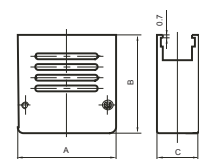


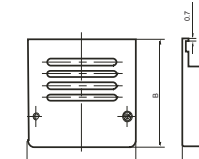
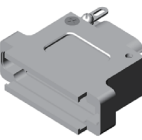

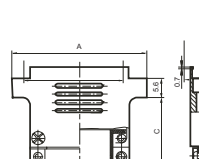
R04J crimp contact type fixed end locking component

Type	A	B	C	Outline dimension	Assembly picture	Matched with locking component	
Q	M2-6h	M2-6h	12.6			W, W7, W9, N	
Q1	#2-56UNC-2B	#2-56UNC-2A	12.6			W8, N1	Note: just suitable for front panel mounting
Q8	M2-6h	M2-6h	15.6			W,W7,W9,N	
Q9	M2-6h	M2-6h	21.6			W,W7,N	
Q0	4.1	0.6	12.6			W, W7, W9, N	
Q3	3.3	1.4	12.6			Note: These Kinds components just suitable for rear panel mounting	
Q4	2.5	2.2	12.6				
Q11	1.3	3.4	12.6				
Q45	2.7	2	20				
Q29	M3-6h	10.5	3.3min			W,W7,W9,N	
Q36	M3-6h	14.7	6 min			Note:1. Just suitable for front panel mounting 2. Suitable for R04JS series	
Q37	M2-6h	10	2.8min				
Q43	M3-6h	11.7	4 min				
Q44							Note: 1. Not need to lock with locking component of free end 2. Front panel mounting, A dimension is 2.5~3.5mm 3. Rear panel mounting, (1)Mated with connector without locking component, A dimension is 3.5mm max (2) Mated with connector which have fixed end locking component, A dimension =4.9-1.3-(distance between bolt and flange of mated with connector)

Remark:1. Fixed end locking component apply to fix the connector on the mounting panel or the PCB. Most fixed end locking component can mate with free end locking component. Few fixed end locking component can't mate with free end locking component.(eg. : Q44)

2. All dimensions are in mm

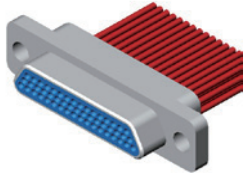
R04J series cable clamp

Type	Stereoqram		Outline dimension			Using condition					
A1	 Without connector, only A1 cable clamp	 Plug with A1 cable clamp				A1 cable clamp suitable for R04J crimp contact basic type, usually apply to free end locking component					
A2	 Without connector, only A2 cable clamp	 Plug with A2 cable clamp				A2 cable clamp just suitable for R04J-9~51PI/RH-Q8					
A3	 Without connector, only A3 cable clamp	 Plug with A3 cable clamp				A3 cable clamp suitable for R04J crimp contact basic type and R04J solder cup basic type					
Pin Count	A1			A2			A3				
	A	B	C	A	B	C	A	B	C	D	E
9	9.9	23.6	10.4	11.7	22	13.4	19.6	9.9	18.2	10.4	27
15	13.8	23.8	10.4	15.6	22	13.4	23.5	13.8	18.2	10.4	27
21	17.6	23.6	10.4	19.4	22	13.4	27.4	17.6	19.2	10.4	28
25	20.2	23.6	10.4	22	22	13.4	29.8	20.2	19.2	10.4	28
31	24	23.6	10.4	25.8	22	13.4	33.6	24	19.2	10.4	28
37	27.8	23.6	10.4	29.6	22	13.4	37.4	27.8	19.2	10.4	28
51	26.6	26.6	11.2	28.4	22	14.6	36.4	26.6	21.2	11.2	30
66	33	26.6	11.2	---	---	---	42.9	29.1	21.2	11.2	30
74	29.1	30	12	---	---	---	38.8	29.1	21.2	12	30
100	40.7	30	12	---	---	---	54.7	40.7	21.2	12	30

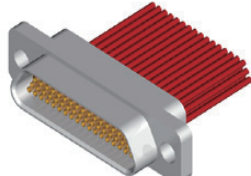
Remark: All dimensions are in mm

R04J series crimp contact basic type

- **Contacts:** R04J- 9, 15, 21, 25, 31, 37, 51, 66, 74, 100 PI /RH(G)
- **Shell Plating Finish:** Nickel , Cadmium



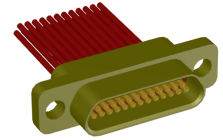
Plug:PI



Receptacle:RH

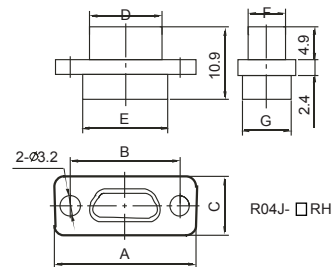
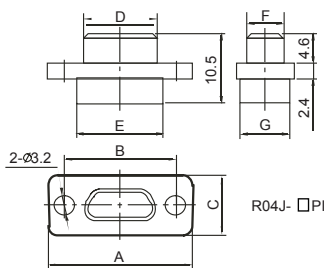


Plug:PIG



Receptacle:RHG

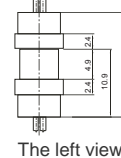
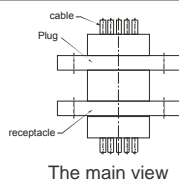
Outline Dimension



Part Number	A	B	C	D	E	F	G
R04J-9PI/PIG	19.6	14.3	7.6	8.3	9.9	4.7	6.8
R04J-15PI/PIG	23.5	18.2	7.6	12.3	13.8	4.7	6.8
R04J-21PI/PIG	27.4	22	7.6	16	17.6	4.7	6.8
R04J-25PI/PIG	29.8	24.5	7.6	18.6	20.2	4.7	6.8
R04J-31PI/PIG	33.6	28.3	7.6	22.4	24	4.7	6.8
R04J-37PI/PIG	37.4	32.2	7.6	26.3	27.8	4.7	6.8
R04J-51PI/PIG	36.4	30.86	8.7	25	26.6	5.8	7.9
R04J-66PI/PIG	42.9	37.3	8.7	31.4	33	5.8	7.9
R04J-74PI/PIG	38.8	33.5	9.7	27.5	29.1	6.8	9.1
R04J-100PI/PIG	54.7	45.7	9.7	35	36.6	6.8	9.1
R04J-9RH/RHG	19.6	14.3	7.6	9.8	9.9	6.1	6.8
R04J-15RH/RHG	23.5	18.2	7.6	13.7	13.8	6.1	6.8
R04J-21RH/RHG	27.4	22	7.6	17.4	17.6	6.1	6.8
R04J-25RH/RHG	29.8	24.5	7.6	20	20.2	6.1	6.8
R04J-31RH/RHG	33.6	28.3	7.6	23.8	24	6.1	6.8
R04J-37RH/RHG	37.4	32.2	7.6	27.7	27.8	6.1	6.8
R04J-51RH/RHG	36.4	30.86	8.7	26.5	26.6	7.2	7.9
R04J-66RH/RHG	42.9	37.3	8.7	32.9	33	7.2	7.9
R04J-74RH/RHG	38.8	33.5	9.7	29	29.1	8.3	9.1
R04J-100RH/RHG	54.7	45.7	9.7	36.6	36.65	8.2	9.1

Remark: All dimensions are in mm

Outline Dimension after mating

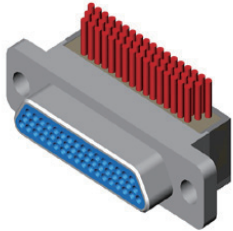


R04JC series crimp contact basic type

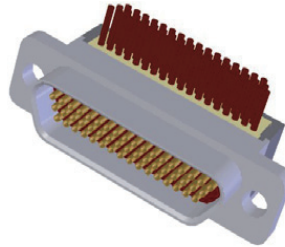
- **Sn-P bronze outer shell, plated nickel**
- **Contacts:** R04JC- 9, 15, 21, 25, 31, 37, 51, 66, 74, 100 PI /RH
- **Outline dimension:** same as R04J crimp contact basic type, please see above datasheet

R04J series crimp contact extended type-C

- The outlet direction of cable is vertical to the contacts, termination type is crimp contact.
- **Contacts:** R04J- 9, 15, 21, 25, 31, 37, 51, 66, 74, 100 PI /RH-C

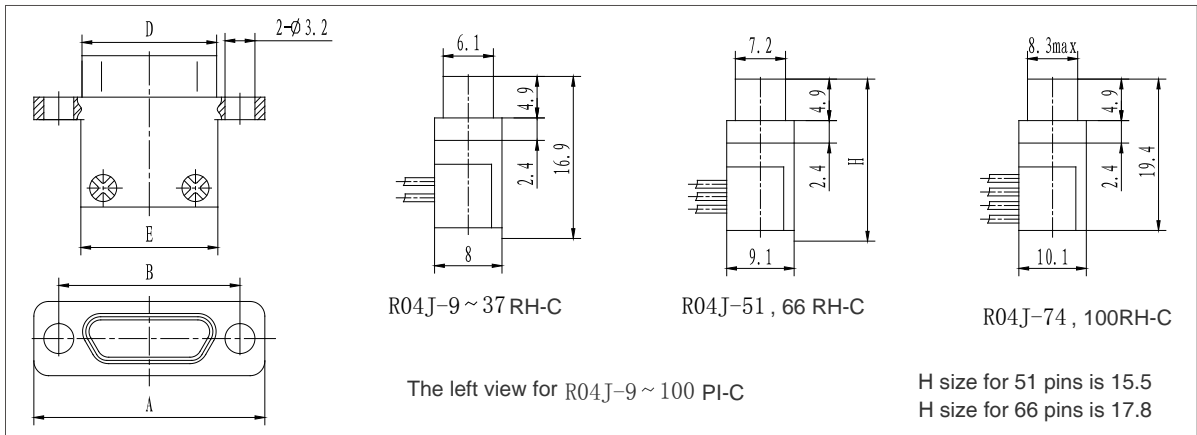
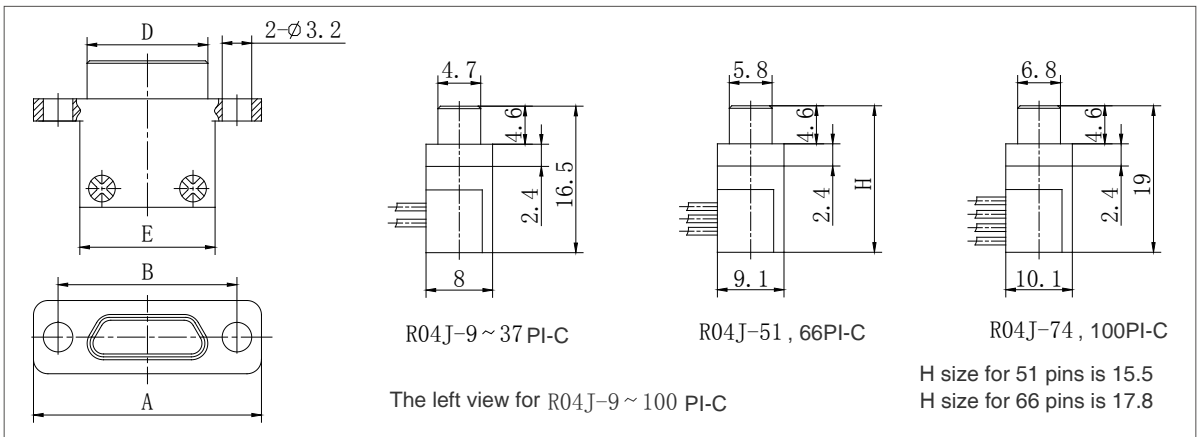


Plug:PI-C



Receptacle:RH-C

Outline Dimension

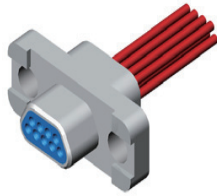


Part Number	A	B	D		E
			PI-C	RH-C	
RQ4J-9PI/RH-C	19.6	14.3	8.3	9.8	9.9
R04J-15PI/RH-C	23.5	18.2	12.3	13.7	13.8
R04J-21PI/RH-C	27.4	22	16	17.4	17.6
R04J-25PI/RH-C	29.8	24.5	18.6	20	20.2
R04J-31PI/RH-C	38.6	28.3	22.4	23.8	24
R04J-37PI/RH-C	37.4	32.2	26.3	27.7	27.8
R04J-51PI/RH-C	36.4	30.86	25	26.5	26.6
RD4J-66PI/RH-C	42.9	37.3	31.4	32.9	33
RD4J-74PI/RH-C	38.8	33.5	27.5	29	29.1
R04J-100PI/RH-C	54.7	45.7	35	36.6	36.6

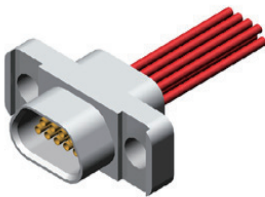
Remark: All dimensions are in mm

The outlet direction of cable for R04J-□ PI-C is opposite to R04J-□ RH-C.

R04J series crimp contact extended type-D



Plug:PI-D



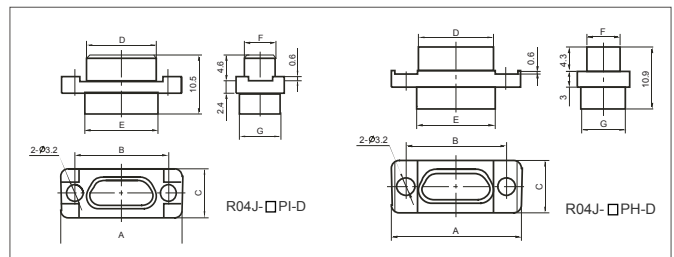
Receptacle:RH-D

- With anti-rotation slots on the flange

- **Contacts:**

R04J- 9, 15, 21, 25, 31, 37, 51, 66, 74, 100 PI /RH-D

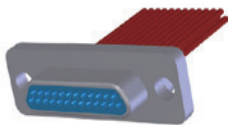
Outline Dimension



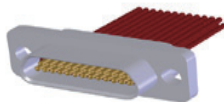
Part Number	A	B	C	D		E	F		G
				PI-D	RH-D		PI-D	RH-D	
R04J-9PI/RH-D	19.6	14.3	7.6	8.3	9.8	9.9	4.7	6.1	6.8
R04J-15PI/RH-D	23.5	18.2	7.6	12.3	13.7	13.8	4.7	6.1	6.8
R04J-21PI/RH-D	27.4	22	7.6	16	17.4	17.6	4.7	6.1	6.8
R04J-25PI/RH-D	29.8	24.5	7.6	18.6	20	20.2	4.7	6.1	6.8
R04J-31PI/RH-D	33.6	28.3	7.6	22.4	23.8	24	4.7	6.1	6.8
R04J-37PI/RH-D	37.4	32.2	7.6	26.3	27.7	27.8	4.7	6.1	6.8
R04J-51PI/RH-D	36.4	30.86	8.7	25	26.5	26.6	5.8	7.2	7.9
R04J-66PI/RH-D	42.9	37.3	8.7	31.4	32.9	33	5.8	7.2	7.9
R04J-74PI/RH-D	38.8	33.5	9.7	27.5	29	29.1	6.8	8.3	9.1
R04J-100PI/RH-D	54.7	45.7	9.7	35	36.6	36.6 / 36.65	6.8	8.2	9.1

Remark: All dimensions are in mm

R04J series crimp contact extended type(9.6)



Plug:PI(9.6)



Receptacle:RH(9.6)

- The width of flange is 9.6mm

- **Contacts:**

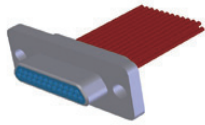
R04J- 9, 15, 21, 25, 31, 37,PI/RH(9.6)

Outline Dimension

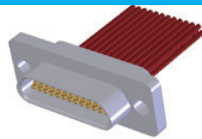
Part Number	A	B	C	D		E
				PI	RH	
R04J-9PI/RH(9.6)	19.6	14.3	9.6	8.3	9.8	9.9
R04J-15PI/RH(9.6)	23.5	18.2	9.6	12.3	13.7	13.8
R04J-21PI/RH(9.6)	27.4	22	9.6	16	17.4	17.6
R04J-25PI/RH(9.6)	29.8	24.5	9.6	18.6	20	20.2
R04J-31PI/RH(9.6)	33.6	28.3	9.6	22.4	23.8	24
R04J-37PI/RH(9.6)	37.4	32.2	9.6	26.3	27.7	27.8

Remark: All dimensions are in mm

R04J series crimp contact extended type(11.6)



Plug:PI(11.6)



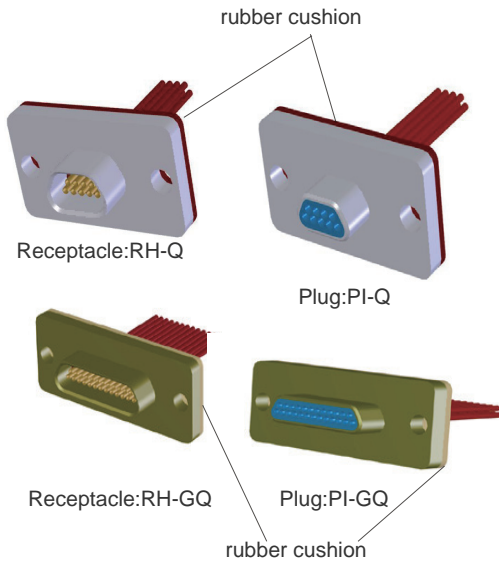
Receptacle:RH(11.6)

- The width of flange is 11.6mm
- **Contacts:** R04J- 9, 15, 21, 25, 31, 37,PI/RH(11.6)

Outline Dimension

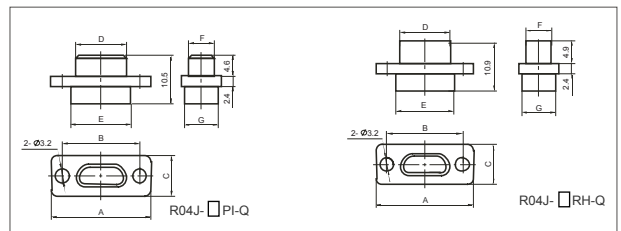
Part Number	A	B	C	D		E
				PI	RH	
R04J-9PI/RH(11.6)	19.6	14.3	11.6	8.3	9.8	9.9
R04J-15PI/RH(11.6)	23.5	18.2	11.6	12.3	13.7	13.8
R04J-21PI/RH(11.6)	27.4	22	11.6	16	17.4	17.6
R04J-25PI/RH(11.6)	29.8	24.5	11.6	18.6	20	20.2
R04J-31PI/RH(11.6)	33.6	28.3	11.6	22.4	23.8	24
R04J-37PI/RH(11.6)	37.4	32.2	11.6	26.3	27.7	27.8

R04J series crimp contact extended type-Q



- the flange is widened
- with a rubber cushion,thickness:1mm
- **Shell Plating Finish:** Nickel , Cadmium
- **Contacts:**
R04J- 9, 15, 21, 25, 31, 37, 51, 66, 74, 100 PI /RH-Q/GQ

Outline Dimension



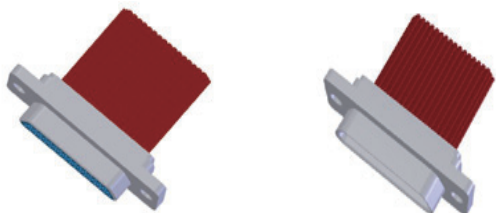
Part Number	A	B	C	D		E	F		G
				PI	RH		PI	RH	
R04J-9PI/RH-Q	26	21	14	8.3	9.8	9.9	4.7	6.1	6.8
R04J-15PI/RH-Q	29.9	24.9	14	12.3	13.7	13.8	4.7	6.1	6.8
R04J-21PI/RH-Q	33.8	28.7	14	16	17.4	17.6	4.7	6.1	6.8
R04J-25PI/RH-Q	36.2	31.2	14	18.6	20	20.2	4.7	6.1	6.8
R04J-31PI/RH-Q	40	35	14	22.4	23.8	24	4.7	6.1	6.8
R04J-37PI/RH-Q	43.8	38.9	14	26.3	27.7	27.8	4.7	6.1	8.8
R04J-51PI/RH-Q	42.6	37.6	15.2	25	26.5	26.6	5.8	7.2	7.9
R04J-66PI/RH-Q	49.3	44	15.2	31.4	32.9	33	5.8	7.2	7.9
R04J-77PI/RH-Q	45.2	40.2	16.1	27.5	29	29.1	6.8	8.3	9.1
R04J-100PI/RH-Q	61.1	52.4	16.1	35	36.6	36.6 / 36.65	6.8	8.2	9.1

Remark: All dimensions are in mm

R04JC series crimp contact extended type-Q

- **Sn-P bronze outer shell,plated nickel**
- **the flange is widened**
- **Outline dimension:** Same as R04J- *RH-Q,please see above datasheet
- **Contacts:** R04JC- 9, 15, 21, 25, 31, 37, 51, 66, 74, 100 RH-Q
- **with a rubber cushion,thickness:1mm**

R04J series crimp contact extended type-Q8

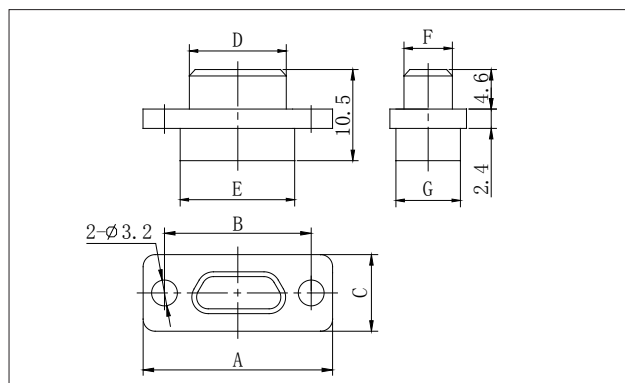


Plug:PI-Q8

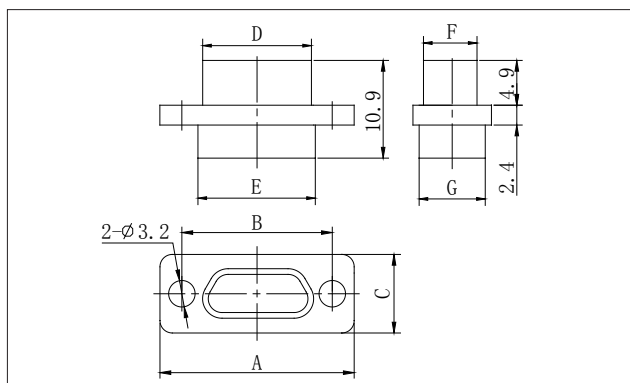
Receptacle:RH-Q8

- The flange size and assembly hole size are enlarged from R04J crimp contact basic type
- **Contacts:**
R04J- 9, 15, 21, 25, 31, 37, 51, 66, 74, 100 PI /RH-Q8

Outline Dimension



R04J-□PI-Q8



R04J-□RH-Q8

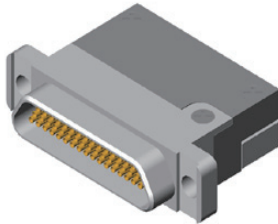
Part Number	A	B	C	D		E	F		G
				PI-Q8	RH-Q8		PI-Q8	RH-Q8	
R04J-9PI-Q8/RH-Q8	21.4	16.1	11.6	8.3	9.8	11.7	4.7	6.1	6.8
R04J-15PI-Q8/RH-Q8	25.3	20	11.6	12.3	13.7	15.6	4.7	6.1	6.8
RQ4J-21PI-Q8/RH-Q8	29.2	23.8	11.6	16	17.4	19.4	4.7	6.1	6.8
RQ4J-25PI-Q8/RH-Q8	31.6	26.3	11.6	18.6	20	22	4.7	6.1	6.8
R04J-31PI-Q8/RH-Q8	35.4	30.1	11.6	22.4	23.8	25.8	4.7	6.1	6.8
R04J-37PI-Q8/RH-Q8	39.2	34	11.6	26.3	27.7	29.6	4.7	6.1	6.8
R04J-51PI-Q8/RH-Q8	38.2	32.6	12.6	25	26.5	28.4	5.8	7.2	7.9

Remark: All dimensions are in mm

R04J series crimp contact extended type-A1D



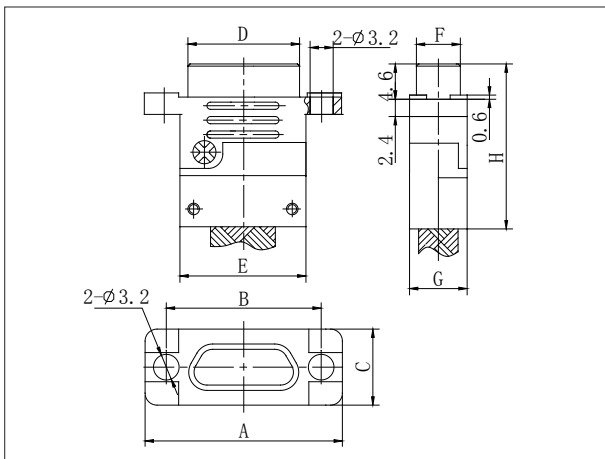
Plug:PI-A1D



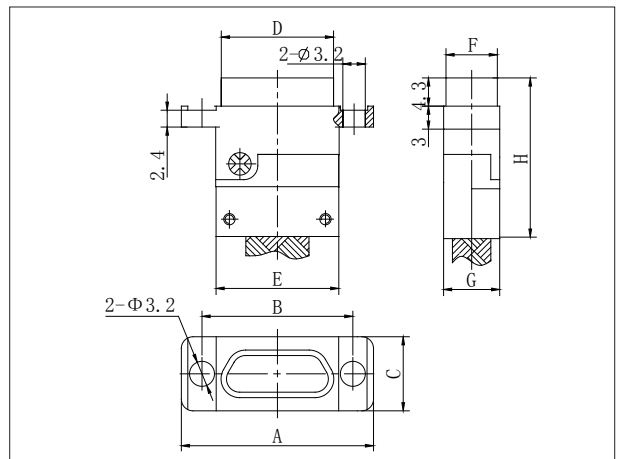
Receptacle:RH-A1D

- with anti-rotation slots on the flange
- with shielded cable clamp on the tail of outer shell
- **Contacts:**
R04J- 9, 15, 21, 25, 31, 37, 51, 66, 74, 100 PI /RH-A1D

Outline Dimension



R04J-□PI-A1D

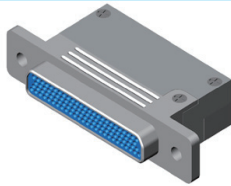


R04J-□RH-A1D

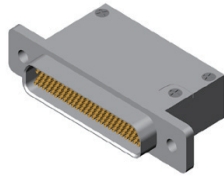
Part Number	A	B	D		E	F		G	H	
			PI-A1D	RH-A1D		PI-A1D	RH-A1D		PI-A1D	RH-A1D
RQ4J-9PI-A1D/RH-A1D	19.6	14.3	8.3	9.8	9.9	4.7	6.1	8	23	23.5
R04J-15PI-A1D/RH-A1D	23.5	18.2	12.3	13.7	13.8	4.7	6.1	8	23	23.5
R04J-21PI-A1D/RH-A1D	27.4	22	16	17.4	17.6	4.7	6.1	8	23	23.5
R04J-25PI-A1D/RH-A1D	29.8	24.5	18.6	20	20.2	4.7	6.1	8	23	23.5
RD4J-31PI-A1D/RH-A1D	33.6	28.3	22.4	23.8	24	4.7	6.1	8	23	23.5
R04J-37PI-A1D/RH-A1D	37.4	32.2	26.3	27.7	27.8	4.7	6.1	8	23	23.5
R04J-51PI-A1D/RH-A1D	36.4	30.86	25	26.5	26.6	5.8	7.2	9	23	23.5
R04J-66PI-A1D/RH-A1D	42.9	37.3	31.4	32.9	33	5.8	7.2	9	23	23.5
R04J-74PI-A1D/RH-A1D	38.8	33.5	27.5	29	29.1	6.8	8.3	11	25	25.5
R04J-100PI-A1D/RH-A1D	54.7	45.7	35	36.6	36.8	6.8	8.2	11	25	25.5

Remark: All dimensions are in mm

R04J series crimp contact basic type -A1/GA1



Plug:PI-A1



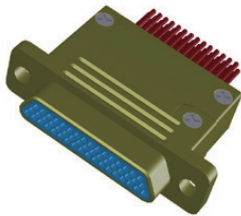
Receptacle:RH-A1

- with shielded cable clamp on the tail of outer shell

- **Shell Plating Finish:** Nickel

- **Contacts:**

R04J- 9, 15, 21, 25, 31, 37, 51, 66, 74, 100 PI /RH-A1



Plug:PI-GA1



Receptacle:RH-GA1

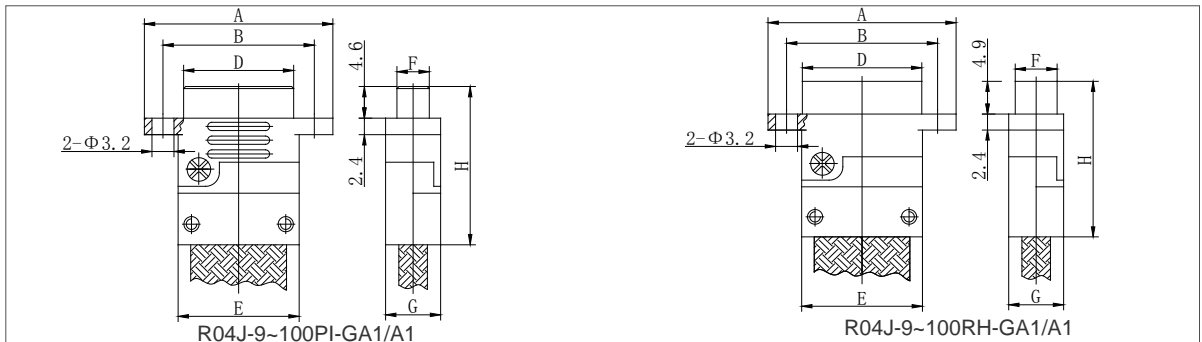
- with shielded cable clamp on the tail of outer shell

- **Shell Plating Finish:** Cadmium

- **Contacts:**

R04J- 9, 15, 21, 25, 31, 37, 51, 66, 74, 100 PI /RH-GA1

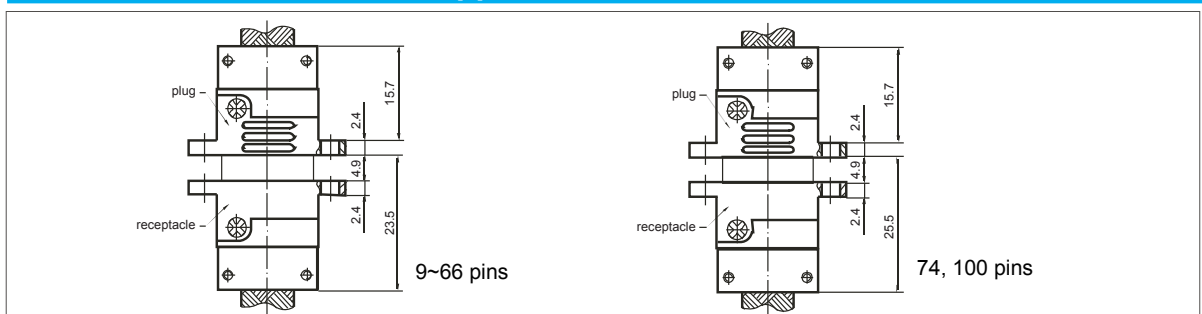
Outline Dimension



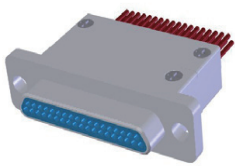
Pin Count	A	B	D		E	F		G	H	
			PI	RH		PI	RH		PI	RH
9PI/RH	19.6	14.3	8.3	9.8	9.9	4.7	6.1	8	23	23.5
15PI/RH	23.5	18.2	12.3	13.7	13.8	4.7	6.1	8	23	23.5
21PI/RH	27.4	22	16	17.4	17.6	4.7	6.1	8	23	23.5
25PI/RH	29.8	24.5	18.6	20	20.2	4.7	6.1	8	23	23.5
31PI/RH	33.6	28.3	22.4	23.8	24	4.7	6.1	8	23	23.5
37PI/RH	37.4	32.2	26.3	27.7	27.8	4.7	6.1	8	23	23.5
51PI/RH	36.4	30.86	25	26.5	26.6	5.8	7.2	9	23	23.5
66PI/RH	42.9	37.3	31.4	32.9	33	5.8	7.2	9	23	23.5
74PI/RH	38.8	33.5	27.5	29	29.1	6.8	8.3	11	25	25.5
100PI/RH	54.7	45.7	35	36.6	36.8	6.8	8.2	11	25	25.5

Remark: All dimensions are in mm

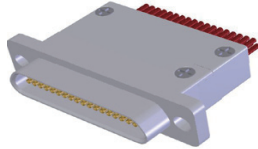
Appearance dimension



R04J series crimp contact extended type-A1(9.6)



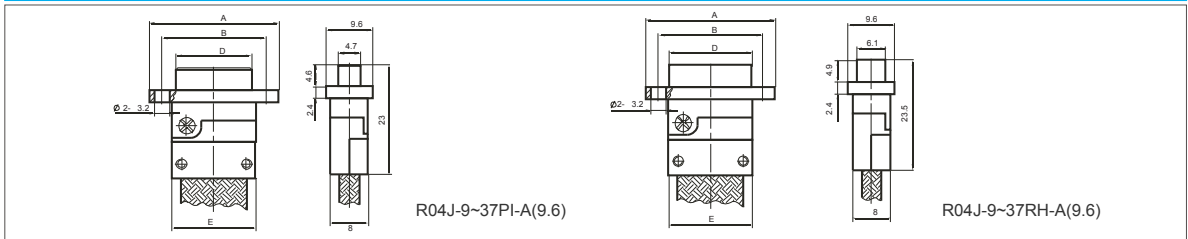
Plug:PI-A1(9.6)



Receptacle:RH-A1(9.6)

- The width of flange is 9.6mm
- With shielded cable clamp on the tail of outer shell
- **Contacts:** R04J- 9, 15, 21, 25, 31, 37,PI/RH-A1(9.6)

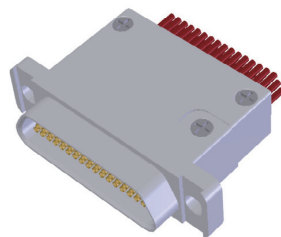
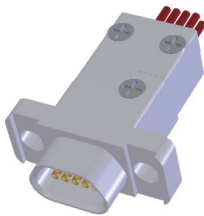
Outline Dimension



Part Number	A	B	D		E
			PI-A1(9.6)	RH-A1(9.6)	
R04J-9PI/RH-A1(9.6)	19.6	14.3	8.3	9.8	9.9
R04J-15PI/RH-A1(9.6)	23.5	18.2	12.3	13.7	13.8
R04J-21PI/RH-A1(9.6)	27.4	22	16	17.4	17.6
R04J-25PI/RH-A1(9.6)	29.8	24.5	18.6	20	20.2
R04J-31PI/RH-A1(9.6)	33.6	28.3	22.4	23.8	24
R04J-37PI/RH-A1(9.6)	37.4	32.2	26.3	27.7	27.8

Remark: All dimensions are in mm

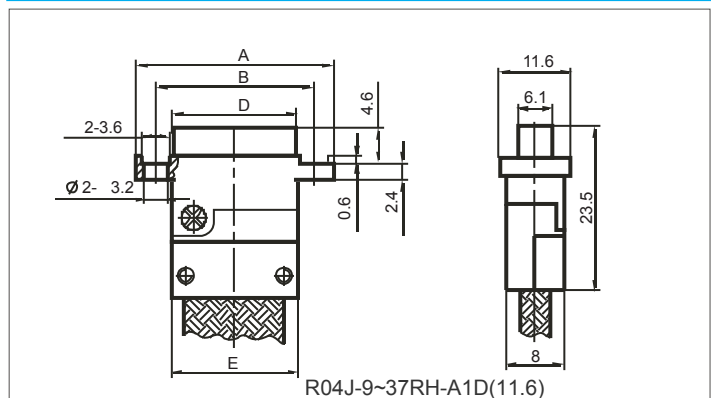
R04J series crimp contact extended type-A1D(11.6)



Receptacle:RH-A1D(11.6)

- The width of flange is 11.6mm
- With shielded cable clamp on the tail of outer shell
- With anti-rotation slots on the flange
- **Contacts:** R04J- 9, 15, 21, 25, 31, 37RH-A1D(11.6)

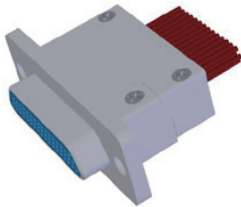
Outline Dimension



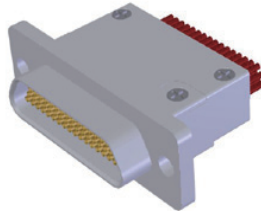
Part Number	A	B	D	E
R04J-9RH-A1D(11.6)	19.6	14.3	9.8	9.9
R04J-15RH-A1D(11.6)	23.5	18.2	13.7	13.8
R04J-21RH-A1D(11.6)	27.4	22	17.4	17.6
R04J-25RH-A1D(11.6)	29.8	24.5	20	20.2
R04J-31RH-A1D(11.6)	33.6	28.3	23.8	24
R04J-37RH-A1D(11.6)	37.4	32.2	27.7	27.8

Remark: All dimensions are in mm

R04J series crimp contact extended type-A2Q8



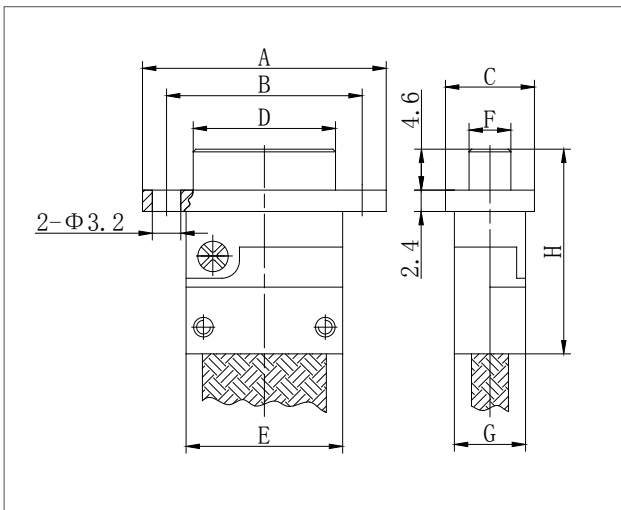
Plug:PI-A2Q8



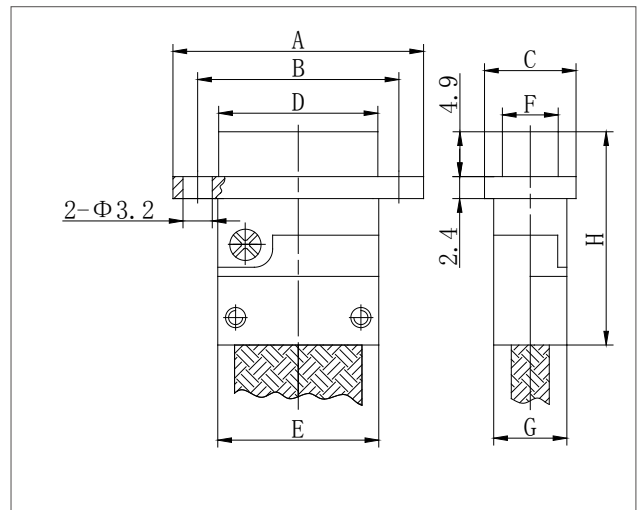
Receptacle:RH-A2Q8

- The flange size and assembly hole size are enlarged from R04J-*PIA1/RHA1
- With shielded cable clamp on the tail of outer shell
- **Contacts:**
R04J- 9, 15, 21, 25, 31, 37, 51, 74, 100 PI /RH-A2Q8

Outline Dimension



R04J-9~100PI -A2Q8

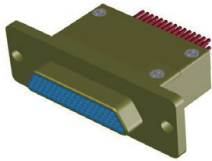


R04J-9~100RH-A2Q8

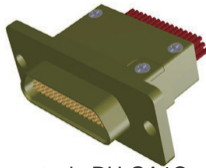
Part No.	A	B	C	D		E	F		G	H	
				PI-A2Q8	RH-A2Q8		PI-A2Q8	RH-A2Q8		PI-A2Q8	RH-A2Q8
R04J-9PI/RH-A2Q8	21.4	16.1	11.6	8.3	9.8	9.9	4.7	6.1	8	23	23.5
R04J-15PI/RH-A2Q8	25.3	20	11.6	12.3	13.7	13.8	4.7	6.1	8	23	23.5
R04J-21PI/RH-A2Q8	29.2	23.8	11.6	16	17.4	17.6	4.7	6.1	8	23	23.5
R04J-25PI/RH-A2Q8	31.6	26.3	11.6	18.6	20	20.2	4.7	6.1	8	23	23.5
R04J-31PI/RH-A2Q8	35.4	30.1	11.6	22.4	23.8	24	4.7	6.1	8	23	23.5
R04J-37PI/RH-A2Q8	39.2	34	11.6	26.3	27.7	27.8	4.7	6.1	8	23	23.5
R04J-51PI/RH-A2Q8	38.2	32.6	12.6	25	26.5	26.6	5.8	7.2	9	23	23.5
R04J-74PI/RH-A2Q8	40.6	37.1	13.8	27.5	29	29.1	6.8	8.3	11	25	25.5
R04J-100PI/RH-A2Q8	56.5	49.3	13.8	35	36.6	36.8	6.8	8.2	11	25	25.5

Remark: All dimensions are in mm

R04J series crimp contact extended type-GA1Q



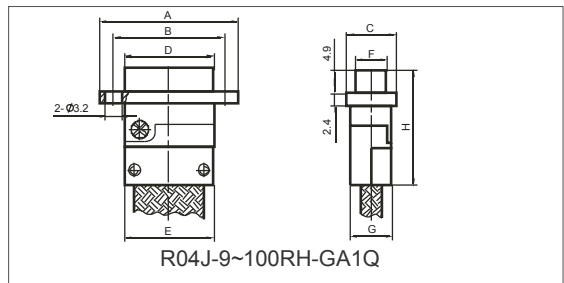
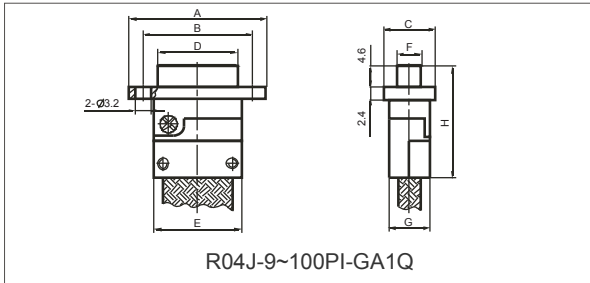
Plug:PI-GA1Q



Receptacle:RH-GA1Q

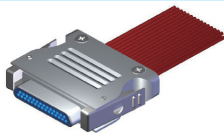
- Outer shell is plated with cadmium
- With shielded cable clamp on the tail of outer shell
- The flange is widened
- **Contacts:**
R04J- 9, 15, 21, 25, 31, 37, 51, 66, 74, 100 PI /RH-GA1Q

Outline Dimension

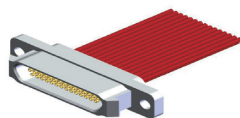


Pin Count	A	B	C	D		E	F		G	H	
				PI	RH		PI	RH		PI	RH
9PI/RH-GA1Q	26	21	14	8.3	9.8	9.9	4.7	6.1	8	23	23.5
15PI/RH-GA1Q	29.9	24.9	14	12.3	13.7	13.8	4.7	6.1	8	23	23.5
21PI/RH-GA1Q	33.8	28.7	14	16	17.4	17.6	4.7	6.1	8	23	23.5
25PI/RH-GA1Q	36.2	31.2	14	18.6	20	20.2	4.7	6.1	8	23	23.5
31PI/RH-GA1Q	40	35	14	22.4	23.8	24	4.7	6.1	8	23	23.5
37PI/RH-GA1Q	43.8	38.9	14	26.3	27.7	27.8	4.7	6.1	8	23	23.5
51PI/RH-GA1Q	42.6	37.6	15.2	25	26.5	26.6	5.8	7.2	9	23	23.5
66PI/RH-GA1Q	49.3	44	15.2	31.4	32.9	33	5.8	7.2	9	23	23.5
74PI/RH-GA1Q	45.2	40.2	16.1	27.5	29	29.1	6.8	8.3	11	25	25.5
100PI/RH-GA1Q	61.1	52.4	16.1	35	36.6	36.8	6.8	8.2	11	25	25.5

R04J series crimp contact of fast lock type---R04JA



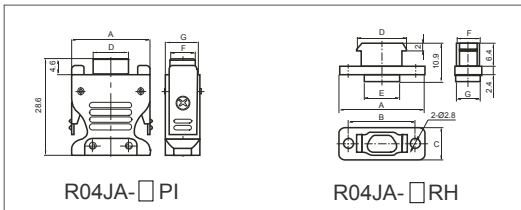
Plug: R04JA-* PI



Receptacle: R04JA-*RH

- With fast lock function
- Crimp contact termination type
- **Contacts:**
R04JA- 9, 15, 21, 25, 31, 37, 51, 66 , 74, 100 PI / RH

Outline Dimension



Part number	A	D	F	G	Part number	A	B	C	D	E	F	G
R04JA-9PI	18.2	8.4	4.7	8.1	R04JA-9RH	23.4	18.6	7.6	14.3	9.8	6.5	6.8
R04JA-15PI	22.1	12.3	4.7	8.1	R34JA-15RH	27.4	22.6	7.6	18.3	13.8	6.5	6.8
R04JA-21PI	25.8	16	4.7	8.1	R04JA-21RH	31.1	26.3	7.6	22	17.5	6.5	6.8
R04JA-25PI	28.4	18.6	4.7	8.1	RMJA-25RH	33.7	28.9	7.6	24.6	20.1	6.5	6.8
R04JA-31PI	32.2	22.4	4.7	8.1	RB4JA31RH	37.5	32.7	7.6	28.4	24.1	6.5	6.8
R04JA-37PI	36	26.3	4.7	8.1	RQ4JA-37RH	41.4	36.6	7.6	32.3	27.8	6.5	6.8
R04JA-51PI	34.8	25	5.8	10	RD4JA-51RH	40.1	35.3	8.7	31	26.5	7.6	7.9
R04JA-74PI	37.3	27.5	6.8	11	RD4JA-74RH	42.6	37.8	9.8	33.5	29	8.7	9
R04JA-100PI	44.8	35	6.8	11	R04JA-100RI	50.1	45.3	9.8	41	36.5	8.7	9

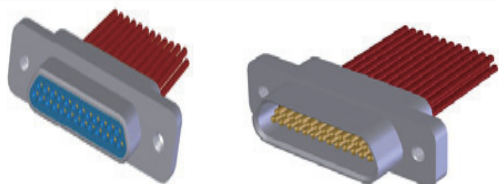
Solid picture and appearance dimension after mating



Part number	A	B	Part number	A	B
R04JA-9PI/RH	23.4	8.1	R04JA-37PI/RH	41.4	8.1
R04JA-15PI/RH	27.4	8.1	R04JA-51PI/RH	40.1	10
R04JA-21PI/RH	31.1	8.1	R04JA-74PI/RH	42.6	11
R04JA-25PI/RH	33.7	8.1	R04JA-100PI/RH	50.1	11
R04JA-31PI/RH	37.5	8.1			

Remark: All dimensions are in mm

R04J series crimp contact extended type--R04JD

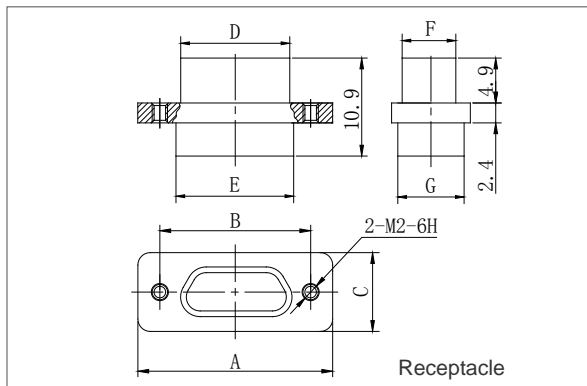
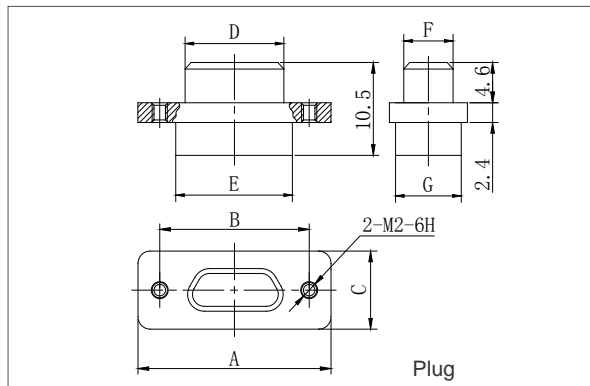


Plug: R04JD-* PI

Receptacle: R04JD-* RH

- The assembly hole is threaded hole : M2-6H
- Crimp contact termination type
- **Contacts:**
R04JD- 9, 15, 21, 25, 31, 37, 51, 66 , 74, 100 PI / RH

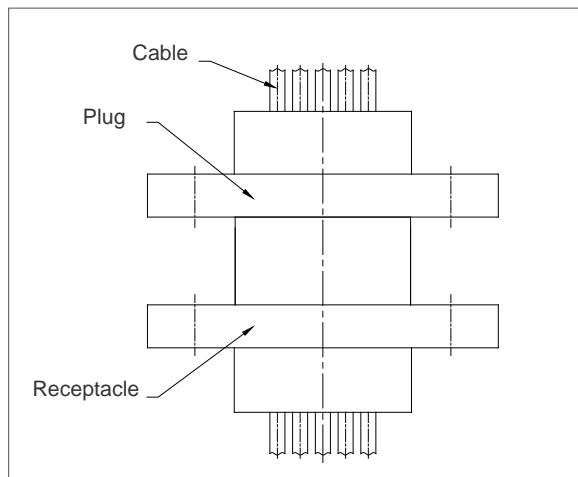
Outline Dimension



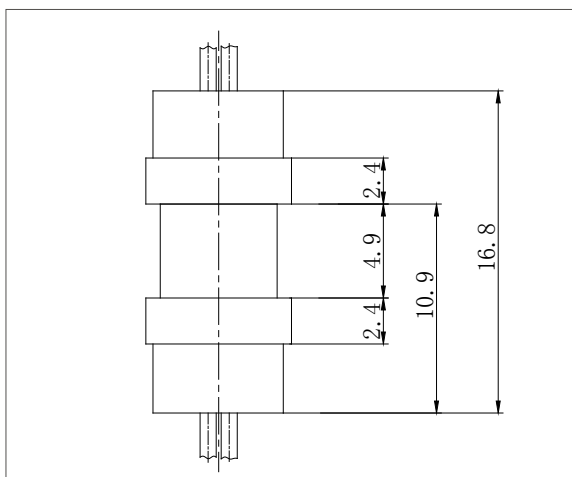
Part number	A	B	C	D		E	F		G
				PI	RH		PI	RH	
R04JD-9PI/RH	19.6	14.3	7.6	8.3	9.8	9.9	4.7	6.1	6.8
R04JD-15PI/RH	23.5	18.2	7.6	12.3	13.7	13.8	4.7	6.1	6.8
R04JD-21PI/RH	27.4	22	7.6	16	17.4	17.6	4.7	6.1	6.8
R04JD-25PI/RH	29.8	24.5	7.6	18.6	20	20.2	4.7	6.1	6.8
R04JD-31PI/RH	33.6	28.3	7.6	22.4	23.8	24	4.7	6.1	6.8
R04JD-37PI/RH	37.4	32.2	7.6	26.3	27.7	27.8	4.7	6.1	6.8
R04JD-51PI/RH	36.4	30.86	8.7	25	26.5	26.6	5.8	7.2	7.9
R04JD-66PI/RH	42.9	37.3	8.7	31.4	32.9	33	5.8	7.2	7.9
R04JD-74PI/RH	38.8	33.5	9.7	27.5	29	29.1	6.8	8.3	9.1
R04JD-100PI/RH	54.7	45.7	9.7	35	36.6	36.6 / 36.65	6.8	8.2	9.1

Remark: All dimensions are in mm

Solid picture and appearance dimension after mating



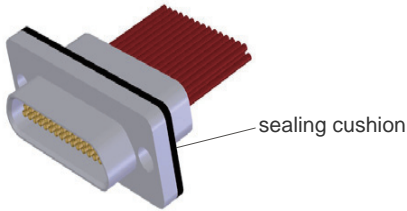
The main view



The left view



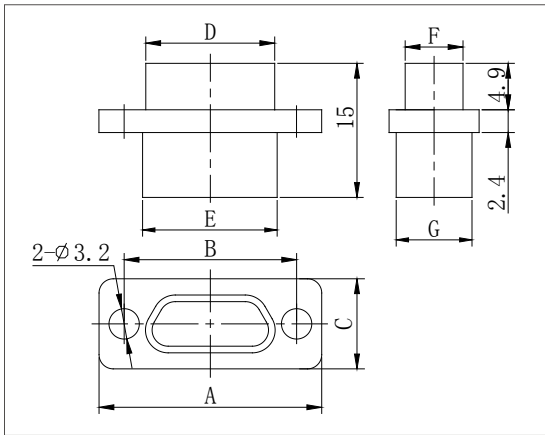
R04J series crimp contact of gule sealing type---R04JS



Receptacle: R04JS-* RH

- Glue sealing
- With a sealing cushion,thickness:1mm
- Insulation resistance: $\geq 2000 M\Omega$
- The air leakage rate: $1 \times 10^{-2} Pa \cdot CM / S^3$
- Crimp contact termination type
- **Contacts:**
R04JS- 9, 15, 21, 25, 31, 37, 51, 66 , 74, 100 RH

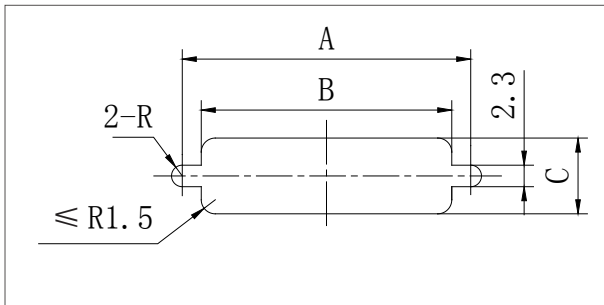
Outline Dimension



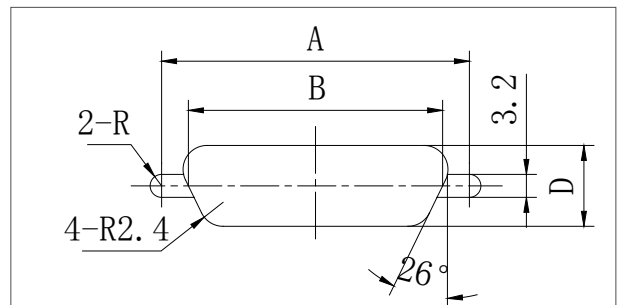
Part number	A	B	C	D	E	F	G
R04JS-9RH	19.6	14.3	12	9.8	9.9	6.1	6.8
R04JS-15RH	23.5	18.2	12	13.7	13.8	6.1	6.8
R04JS-21RH	27.4	22	12	17.4	17.6	6.1	6.8
RD4JS-25RH	29.8	24.5	12	20	20.2	6.1	6.8
RD4JS-31RH	33.6	28.3	12	23.8	24	6.1	6.8
R04JS-37RH	37.4	32.2	12	27.7	27.8	6.1	6.8
R04JS-51RH	36.4	30.86	13	26.5	26.6	7.2	7.9
R04JS-74RH	38.8	33.5	14	29	29.1	8.3	9.1
R04JS-100RH	54.7	45.7	14	36.65	36.8	3.2	9.1

R04J series crimp contact type - mounting hole dimension

- **Suitable for product:** R04J-*PI/RH R04J-*PI/RH-D R04J-*PIG/RHG R04J-*PI/RH(9.6)
R04J-*PI/RH(11.6) R04JC-*PI/RH R04J-*RH



Mounting hole dimension for front panel mounting



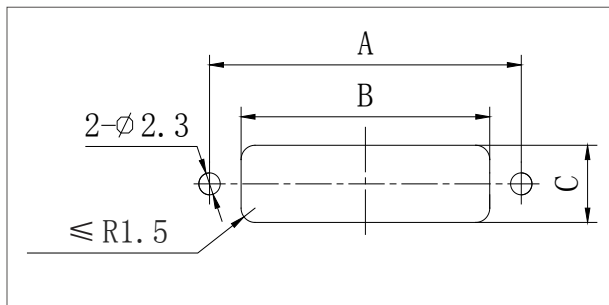
Mounting hole dimension for rear panel mounting

Pin Count	A	B	C	D	Pin Count	A	B	C	D
9 pins	14.3	10.2	7	6.3	37 pins	32.2	28.1	7	6.3
15 pins	18.2	14.1	7	6.3	51pins	30.86	26.9	8.1	7.4
21 pins	22	17.9	7	6.3	66 pins	37.3	33.4	8.1	7.4
25 pins	24.5	20.5	7	6.3	74 pins	33.5	29.4	9.3	8.6
31 pins	28.3	24.3	7	6.3	100 pins	45.7	37	9.3	8.6

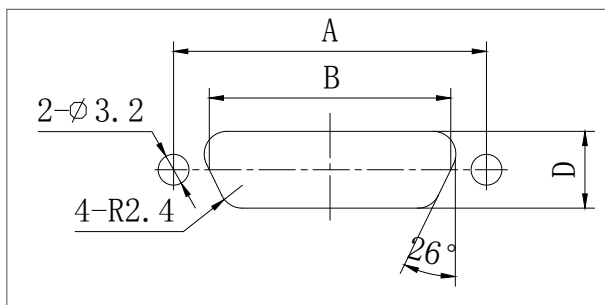
Remark:1. R04JS is sealing product,we suggest to use un-through threaded mounting hole for front panel mounting
2. All dimensions are in mm

R04J series crimp contact type - mounting hole dimension

■ Suitable for product: R04J-*PI/RH-Q R04J-*PI/RHG-Q R04JC-*RH-Q



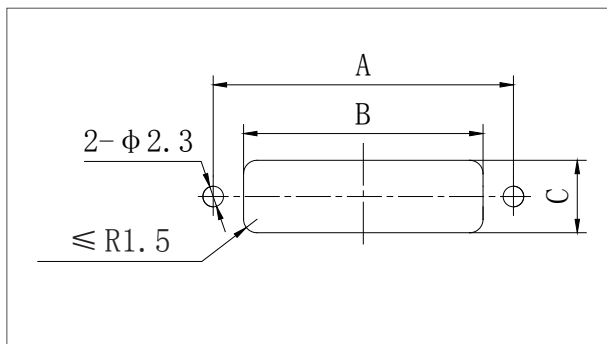
Mounting hole dimension for front panel mounting



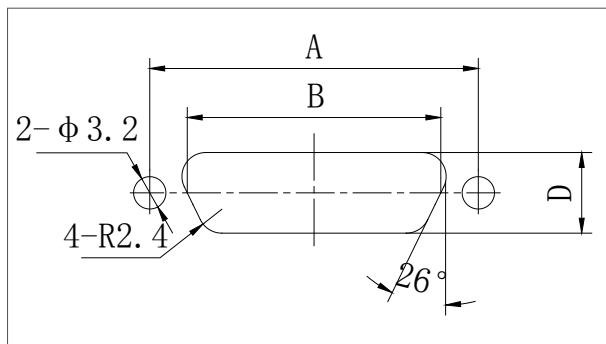
Mounting hole dimension for rear panel mounting

Pin Count	A	B	C	D	Pin Count	A	B	C	D
9 pins	21	10.2	7	6.3	37 pins	38.9	28.1	7	6.3
15 pins	24.9	14.1	7	6.3	51 pins	37.6	26.9	8.1	7.4
21 pins	28.7	17.9	7	6.3	66 pins	44	33.4	8.1	7.4
25 pins	31.2	20.5	7	6.3	74 pins	40.2	29.4	9.3	8.6
31 pins	35	24.3	7	6.3	100 pins	52.4	37	9.3	8.6

■ Suitable for product: R04J-*PI/RH-Q8



Mounting hole dimension for front panel mounting



Mounting hole dimension for rear panel mounting

Pin Count	A	B	C	D	Pin Count	A	B	C	D
9 pins	16.1	12	7	6.3	31 pins	30.1	26.1	7	6.3
15 pins	20	15.9	7	6.3	37 pins	34	29.9	7	6.3
21 pins	23.8	19.7	7	6.3	51 pins	32.6	28.7	8.1	7.4
25 pins	26.3	22.3	7	6.3					

Remark: All dimensions are in mm

R04J series crimp contact type - mounting hole dimension

■ Suitable for product: R04J-*PI/RH-A1

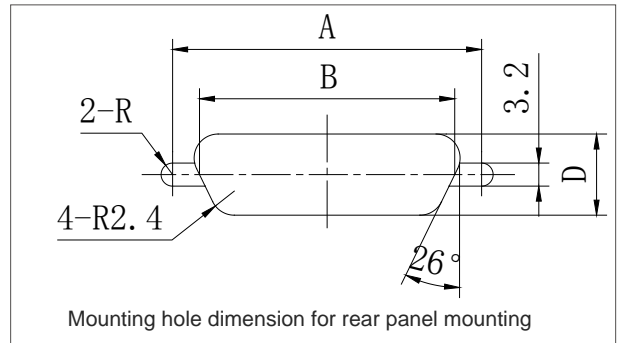
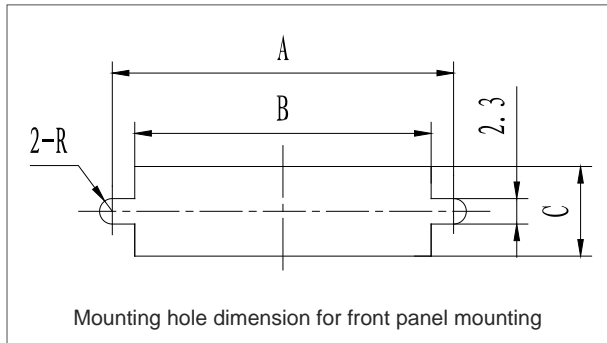
R04J-*PI/RH-A1(9.6)

R04J-*PI/RH-A1D

R04J-*PI/RHG-A1(11.6)

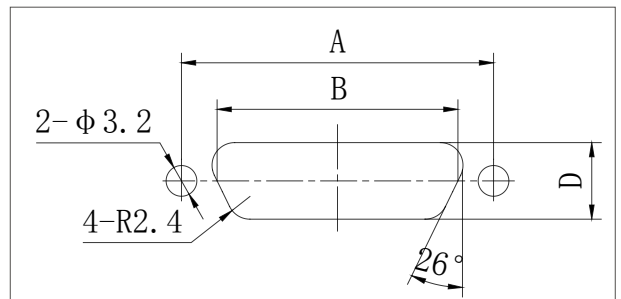
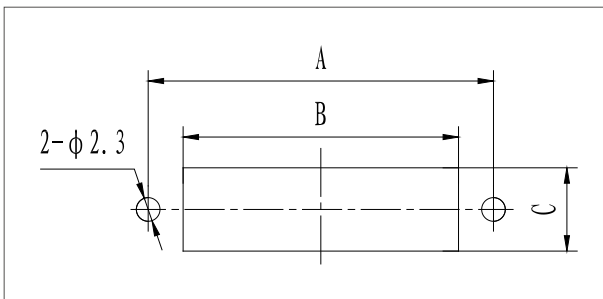
R04J-*PI/RHG-A1

R04J-*PI/RH-A1D(11.6)



Pin Count	A	B	C	D	Pin Count	A	B	C	D
9 pins	14.3	10.2	8.2	6.3	37 pins	32.2	28.1	8.2	6.3
15 pins	18.2	14.1	8.2	6.3	51 pins	30.86	26.9	9.2	7.4
21 pins	22	17.9	8.2	6.3	66 pins	37.3	33.4	9.2	7.4
25 pins	24.5	20.5	8.2	6.3	74 pins	33.5	29.4	11.2	8.6
31 pins	28.3	24.3	8.2	6.3	100 pins	45.7	37	11.2	8.6

■ Suitable for product: R04J-*PI/RH-A2Q8

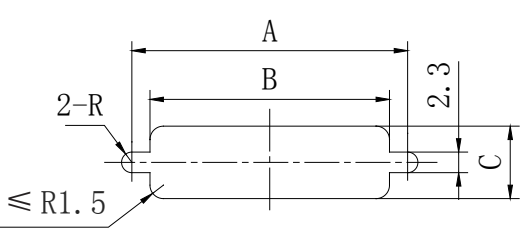


Pin Count	A	B	C	D	Pin Count	A	B	C	D
9 pins	16.1	10.2	8.2	6.3	31 pins	30.1	24.3	8.2	6.3
15 pins	20	14.1	8.2	6.3	37 pins	34	28.1	8.2	6.3
21 pins	23.8	17.9	8.2	6.3	51 pins	32.6	26.9	9.2	7.4
25 pins	26.3	20.5	8.2	6.3					

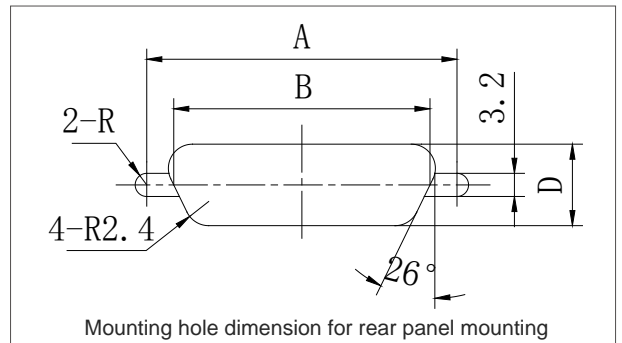
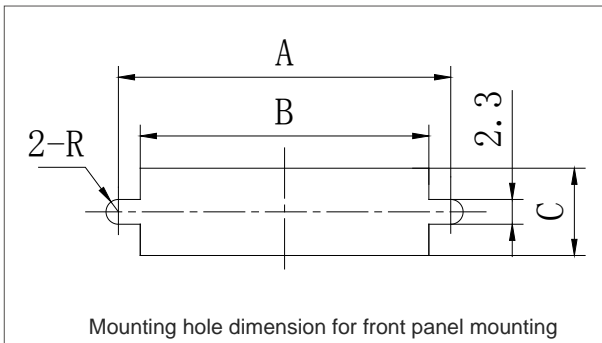
Remark: All dimensions are in mm

R04J series crimp contact type - mounting hole dimension

■ Suitable for product: R04JA-*RH

 <p>Mounting hole dimension for front panel mounting</p>	Pin Count	A	B	C	Pin Count	A	B	C
	9 pins	18.6	10.2	7	37 pins	36.6	28.1	7
	15 pins	22.6	14.1	7	51 pins	35.3	26.9	8.1
	21 pins	26.3	17.9	7	74 pins	37.8	29.4	9.3
	25 pins	28.9	20.5	7	100 pins	45.3	37	9.3
	31 pins	32.7	24.3	7				

■ Suitable for product: R04J-*PI/RH-C

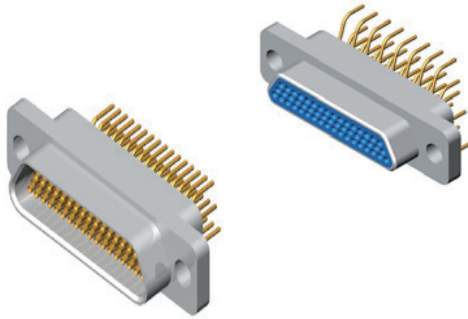


Pin Count	A	B	C	D	Pin Count	A	B	C	D
9 pins	14.3	10.2	8.2	6.3	37 pins	32.2	28.1	8.2	6.3
15 pins	18.2	14.1	8.2	6.3	51 pins	30.86	26.9	9.3	7.4
21 pins	22	17.9	8.2	6.3	66 pins	37.3	33.4	9.3	7.4
25 pins	24.5	20.5	8.2	6.3	74 pins	33.5	29.4	10.3	8.6
31 pins	28.3	24.3	8.2	6.3	100 pins	45.7	37	10.3	8.6

Remark: All dimensions are in mm

MIL-DTL-83513 Micro D-Sub Connectors

R04J Series Straight to PCB Type



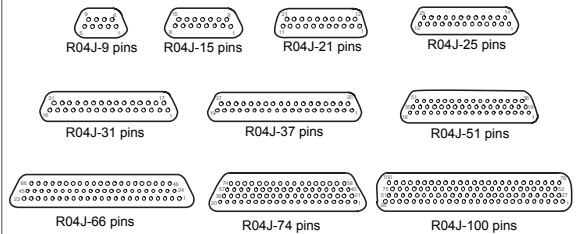
Introduction

- Micro D-sub connectors
- Twist pin contact, high density interconnection
- Metal shell, plated nickel or cadmium
- Straight to PCB type
- Meet MIL-DTL-83513

Specification

- Environment temperature: $-55^{\circ}\text{C} \sim 125^{\circ}\text{C}$
- Vibration: $10\text{Hz} \sim 2000\text{Hz}$, 196m/s^2
- Random vibration: Power spectrum density $0.4\text{G}^2/\text{Hz}$
root mean square value of total acceleration 23.1G
- Shock: 735m/s^2 11sm
- Rated current: 3A
- Contact resistance: $\leq 10\text{m}\Omega$
- Insulation resistance: $\geq 5000\text{M}\Omega$
- Dielectric strength: 800V
- Durability: 500 times

Contact Layout



How to Order Straight to PCB Connector

Sample part number	R04J	— 25	RH	S	Q5	4	— J
Series:	R04J—standar type R04JA—fast lock type						
Contact number:	9, 15, 21, 25, 31, 37, 51, 66, 74, 100pins						
Contact type :	PI—pin in plug RH—socket in receptacle						
Tail termination type:	S—straight to PCB						
Locking component type:	blank—without Q5— locking component type,please see page2						
Shell material and finish :	Blank—Aluminum shell,finish nickel G—Aluminum shell,finish cadmium						
Tail lengty :	3—6.7mm 4—7.2mm 8—8mm blank—standard type						
PCB layout :	J—1.27*2.54mm Blank—2.54*2.54mm						



R04J series free end locking component

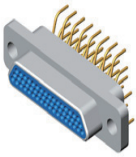
Type	A	B	Outline dimension	Assembly picture	Matched with locking component
W	M2-6h	7.1			Q,Q0,Q2,Q3,Q4,Q5,Q7,Q8,Q9,Q10,Q11, Q14,Q15,Q17,Q23,Q25,Q29,Q32,Q35, Q36,Q37,Q41,Q42,Q43,Q45,Q46
W8	#2-56UNC-2A	7.1			Q1
W7	M2-6h	7.1			Q,Q0,Q2,Q3,Q4,Q5,Q7,Q8,Q9,Q10,Q11, Q14,Q15,Q17,Q23,Q25,Q29,Q32,Q35, Q36,Q37,Q41,Q42,Q43,Q45,Q46
N	M2-6h				Q,Q0,Q2,Q3,Q4,Q5,Q7,Q8,Q9,Q10,Q11, Q14,Q15,Q17,Q23,Q25,Q29,Q32,Q35, Q36,Q37,Q41,Q42,Q43,Q45,Q46
N1	#2-56UNC-2A				Q1

R04J series fixed end locking component for straight to PCB

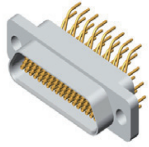
Type	A	B	C	PCB thickness	Outline dimension	Assembly picture	Matched with locking component
Q5	5.7	5.9	18.6	1.6~2.5			W, W7, W9, N Note: These Kinds components just suitable for front panel mounting
Q10	8	8.4	20.5	1.6~2.5			
Q25	5.7	5.9	20.5	1.6~2.5			
	8	5.9	20.5	1.6~2.5			
Q23	5.7	5.9	17.8	1.6			
Q32	2.7	2		1.6~2.5			W, W7, W9, N Note: These Kinds components just suitable for rear panel mounting
Q41	3.2	1.5		1.6~2.5			
Q17	5.7			1.6~3			W, W7, W9, N
	7.2			1.6~4.5			
V				≤ 2.5			Not need to lock with locking component of free end

Remark: 1. Fixed end locking component apply to fix the connector on the mounting panel or the PCB. Most fixed end locking component can mate with free end locking component. Few fixed end locking component can't mate with free end locking component.(eg.: Q44)
2. All dimensions are in mm

R04J series basic type inserting to PCB--straight to PCB S type



Plug:PIS



Receptacle:RHS

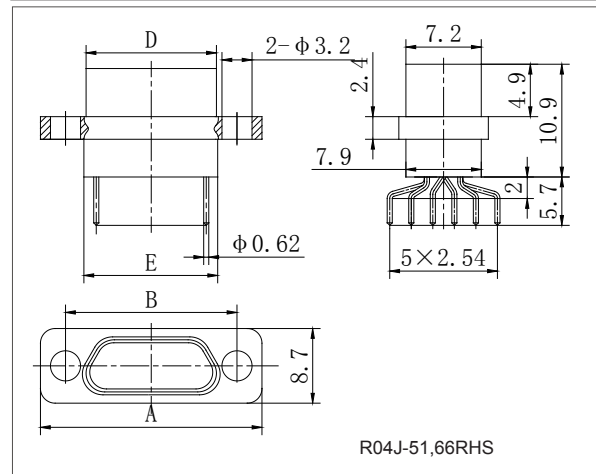
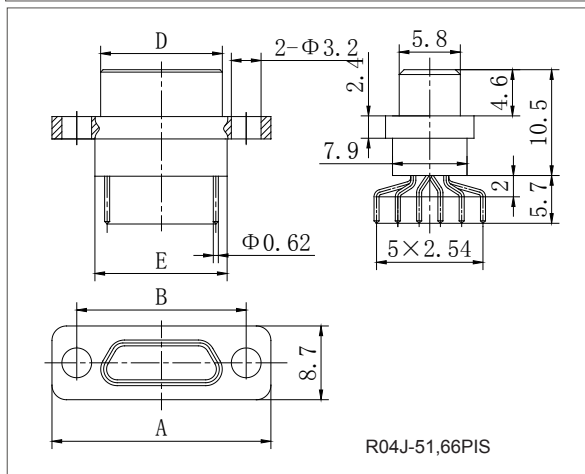
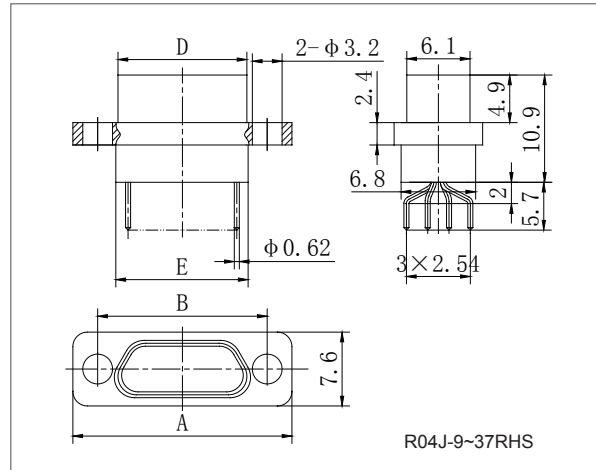
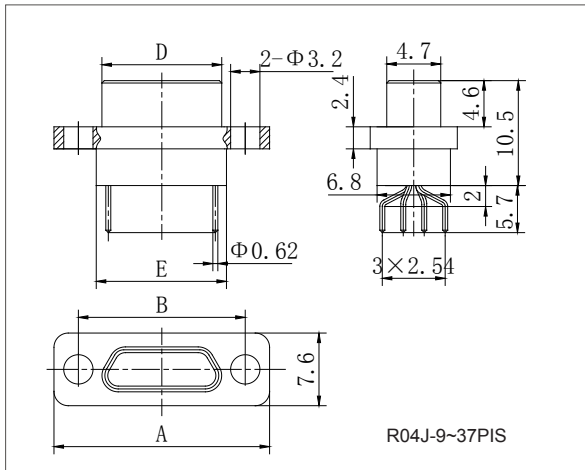
■ **Shell Plating Finish:** Nickel or Cadmium

■ **The PCB Layout:** 2.54*2.54mm

■ **Contacts:**

R04J- 9, 15, 21, 25, 31, 37, 51, 66, PI S/RHS

Outline Dimension

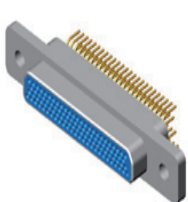


Part Number	A	B	D		E
			PIS	RHS	
R04J-9PIS/RHS	19.6	14.3	8.3	9.8	9.9
R04J-15PIS/RHS	23.5	18.2	12.3	13.7	13.8
RD4J-21PIS/RHS	27.4	22	16	17.4	17.6
R04J-25PIS/RHS	29.8	24.5	18.6	20	20.2
RD4J-31PIS/RHS	33.6	28.3	22.4	23.8	24
RD4J-37PIS/RHS	37.4	32.2	26.3	27.7	27.8
RD4J-51PIS/RHS	36.4	30.86	25	26.5	26.6
RQ4J-66PIS/RHS	42.9	37.3	31.4	32.9	33

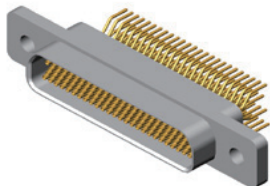
Remark: All dimensions are in mm



straight to PCB S-J type



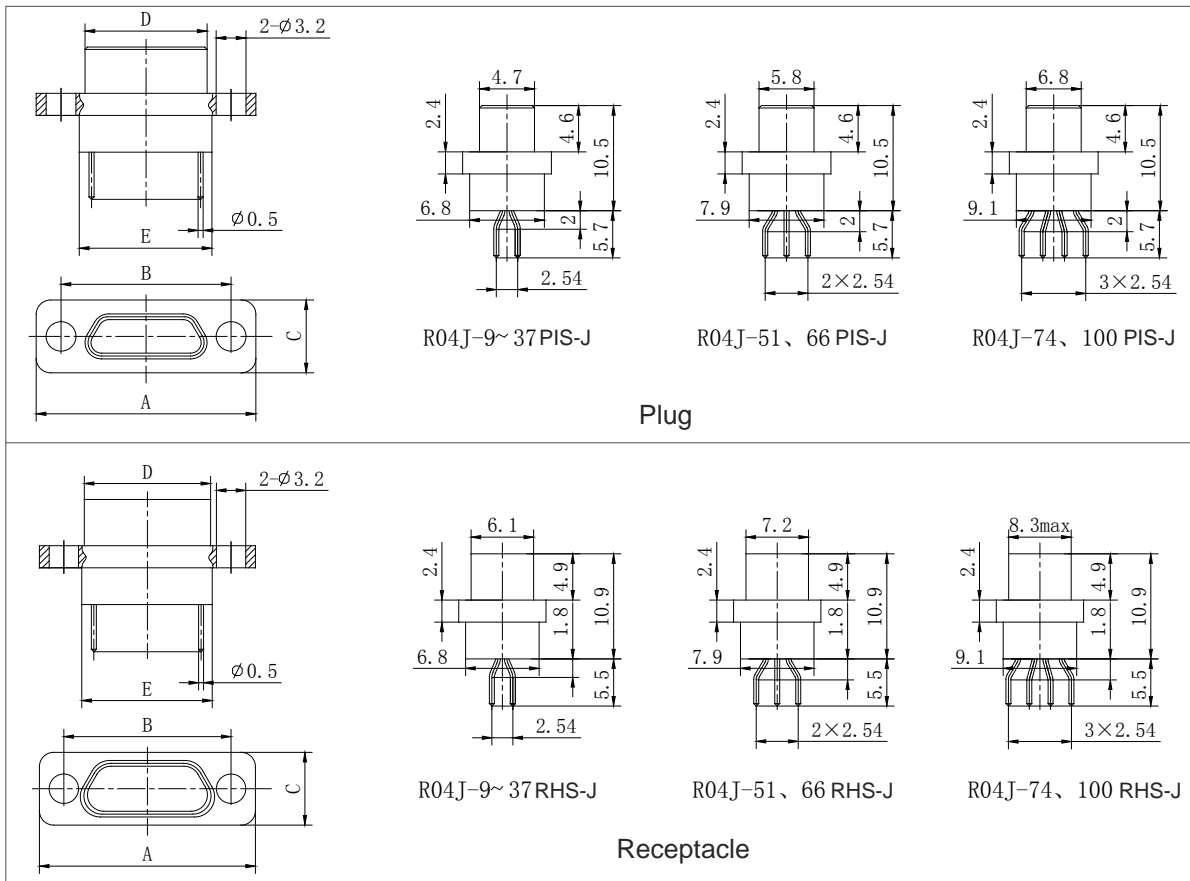
Plug:PIS-J



Receptacle:RHS-J

- **Shell Plating Finish:** Nickel or Cadmium
- **The PCB Layout:** 1.27*2.54mm
- **Contacts:** R04J- 9, 15, 21, 25, 31, 37, 51, 66, 74, 100 PIS-J / RHS-J

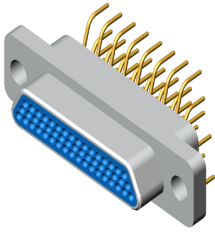
Outline Dimension



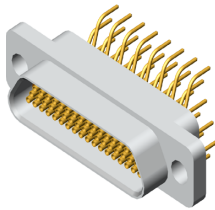
Part number	A	B	C	D		E
				PIS-J	RHS-J	
R04J-9PIS-J/RHS-J	19.6	14.3	7.6	8.3	9.8	9.9
R04J-15PIS-J/RHS-J	23.5	18.2	7.6	12.3	13.7	13.8
R04J-21PIS-J/RHS-J	27.4	22	7.6	16	17.4	17.6
R04J-25PIS-J/RHS-J	29.8	24.5	7.6	18.6	20	20.2
R04J-31PIS-J/RHS-J	33.6	28.3	7.6	22.4	23.8	24
R04J-37PIS-J/RHS-J	37.4	32.2	7.6	26.3	27.7	27.8
R04J-51PIS-J/RHS-J	36.4	30.86	8.7	25	26.5	26.6
R04J-66PIS-J/RHS-J	42.9	37.3	8.7	31.4	32.9	33
R04J-74PIS-J/RHS-J	38.8	33.5	9.7	27.5	29	29.1
R04J-100PIS-J/RHS-J	54.7	45.7	9.7	35	36.6	36.6

Remark: All dimensions are in mm

straight to PCB - PC tail lengthened



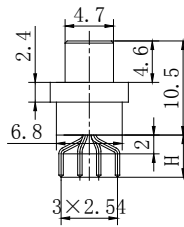
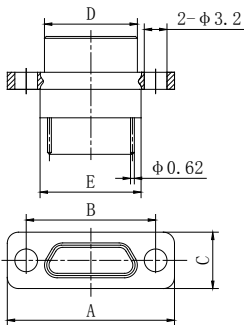
Plug



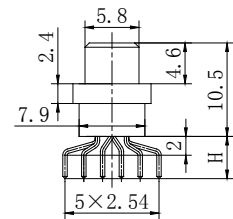
Receptacle

- **Shell Plating Finish:** Nickel or Cadmium
- **The PCB Layout:** 2.54*2.54mm
- **Contacts:** R04J- 9, 15, 21, 25, 31, 37, 51
- **PC tail length:** 6.7mm , 7.2mm or 8mm

Outline Dimension

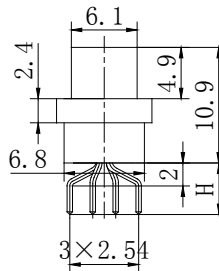
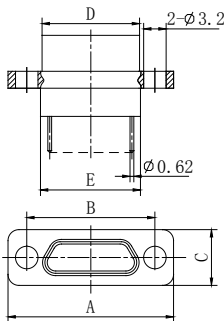


9~37Pins

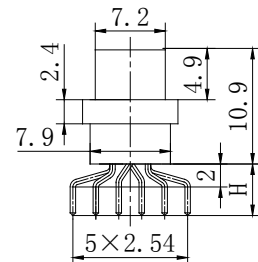


51Pins

R04J-9~51PIS4 / R04J-9~37PIS8



9~37 Sockets



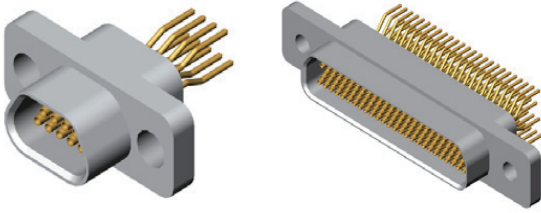
51Sockets

R04J-9~51RHS3 / R04J-9~51RHS4

Contacts	A	B	C	D	E	H		
						S3	S4	S8
9	19.6	14.3	7.6	8.3	9.9	6.7	7.2	8
15	23.5	18.2	7.6	12.3	13.8	6.7	7.2	8
21	27.4	22	7.6	16	17.6	6.7	7.2	8
25	29.8	24.5	7.6	18.6	20.2	6.7	7.2	8
31	33.6	28.3	7.6	22.4	24	6.7	7.2	8
37	37.4	32.2	7.6	26.3	27.8	6.7	7.2	8
51	36.4	30.86	8.7	25	26.6	6.7	7.2	without

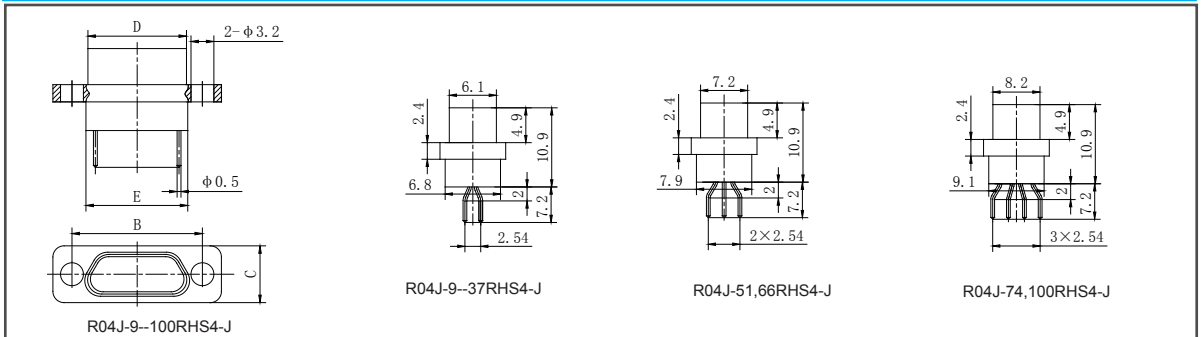
Remark: All dimensions are in mm

straight to PCB - PC tail lengthened -J type



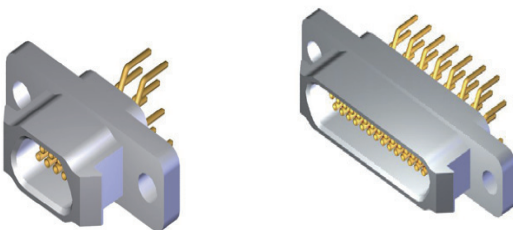
- **Shell Plating Finish:** Nickel or Cadmium
- **The PCB Layout:** 1.27*2.54mm
- **PC tail length:** 7.2mm
- **Receptacle**
- **Contacts:** R04J- 9, 15, 21, 25, 31, 37, 51
66, 74, 100RHS4-J

Outline Dimension



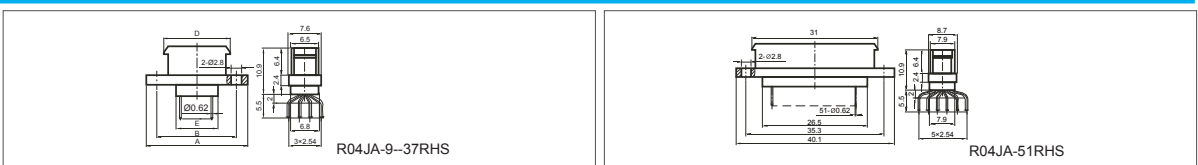
Part number	A	B	C	D	E
R04J-9RHS4-J	19.6	14.3	7.6	9.8	9.9
R04J-15RHS4-J	23.5	18.2	7.6	13.7	13.8
R04J-21RHS4-J	27.4	22	7.6	17.4	17.6
R04J-25RHS4-J	29.8	24.5	7.6	20	20.2
R04J-31RHS4-J	33.6	28.3	7.6	23.8	24
R04J-37RHS4-J	37.4	32.2	7.6	27.7	27.8
R04J-51RHS4-J	36.4	30.86	8.7	26.5	26.6
R04J-66RHS4-J	42.9	37.3	8.7	32.9	33
R04J-74RHS4-J	38.8	33.5	9.7	29	29.1
R04J-100RHS4-J	54.7	45.7	9.7	36.6	36.6

straight to PCB - fast lock type(R04JA)



- **Shell Plating Finish:** Nickel or Cadmium
- **The PCB Layout** 2.54*2.54mm
- **With fast locking function**
- **Receptacle**
- **Contacts:** R04JA- 9, 15, 21, 25, 31, 37, 51RHS

Outline Dimension



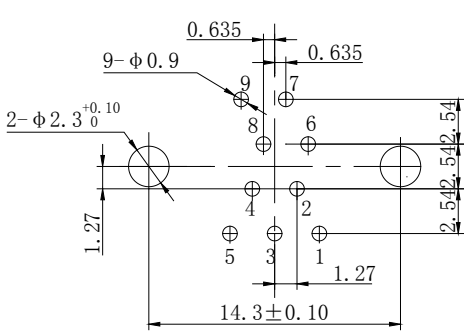
Part number	A	B	D	E
R04JA-9RHS	23.4	18.6	14.8	9.8
R04JA-15RHS	27.4	22.6	18.3	13.8
RD4JA-21RHS	31.1	26.3	22	17.5
RD4JA-25RHS	33.7	28.9	24.6	20.1
R04JA-31RHS	37.5	32.7	28.4	24.1
R04JA-37RHS	41.4	36.6	32.3	27.8

Remark: All dimensions are in mm

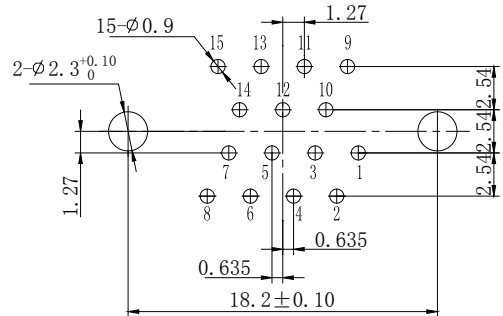


PCB Layout - PI Connector

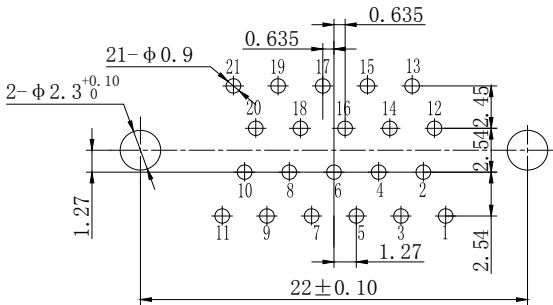
- Patterns shown are for connector mounting side of PC board
- R04J Straight to PCB- S, S4, S8 Type PI Connector



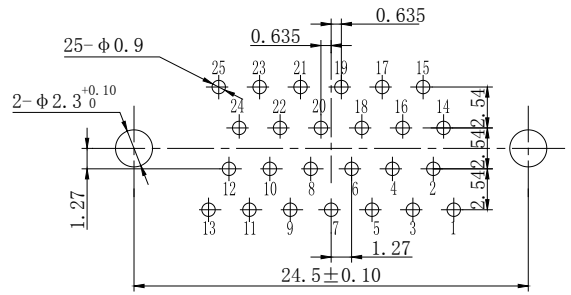
R04J-9PIS, PIS4, PIS8



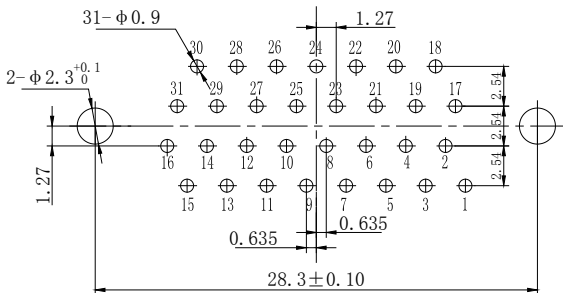
R04J-15PIS, PIS4, PIS8



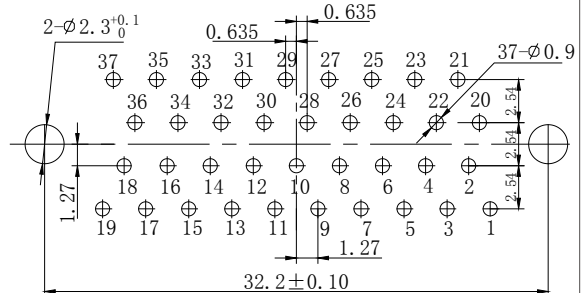
R04J-21PIS, PIS4, PIS8



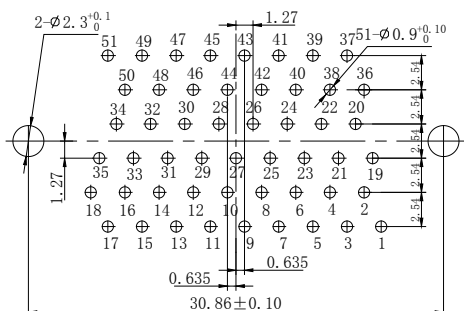
R04J-25PIS, PIS4, PIS8



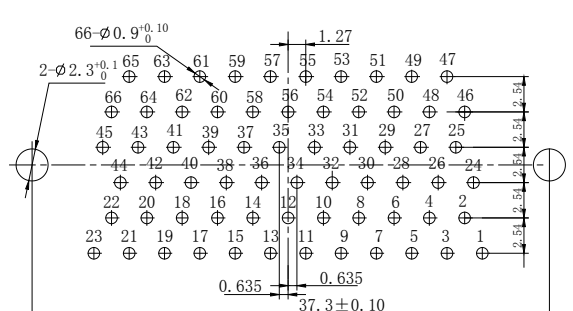
R04J-31PIS, PIS4, PIS8



R04J-37PIS, PIS4, PIS8



R04J-51PIS, PIS4, PIS8



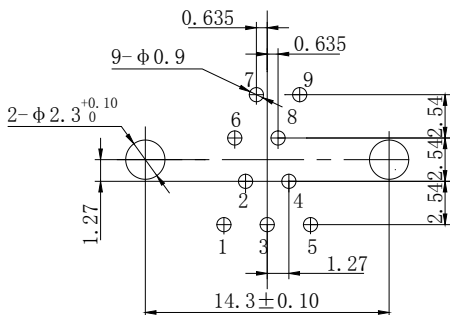
R04J-66PIS, PIS4, PIS8

Remark: All dimensions are in mm

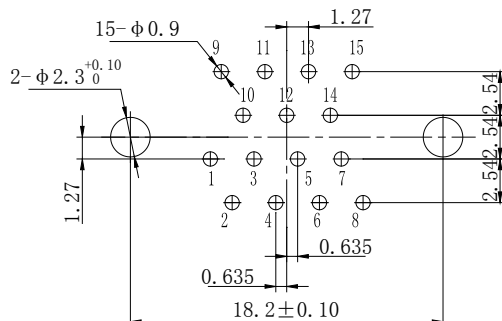


PCB Layout - RH Connector

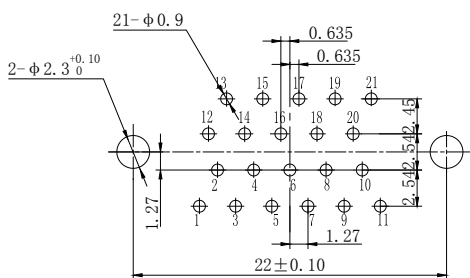
- Patterns shown are for connector mounting side of PC board.
- R04J Straight to PCB- S, S3, S4 Type RH Connector



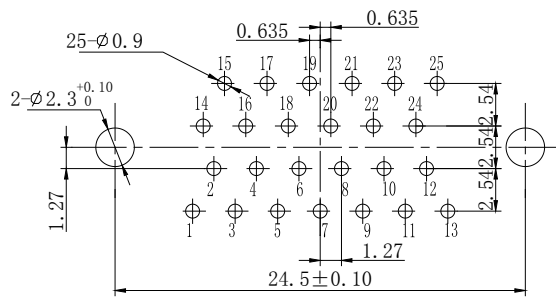
R04J-9RHS, RHS3, RHS4



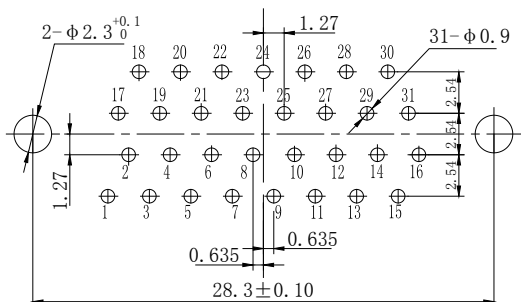
R04J-15RHS, RHS3, RHS4



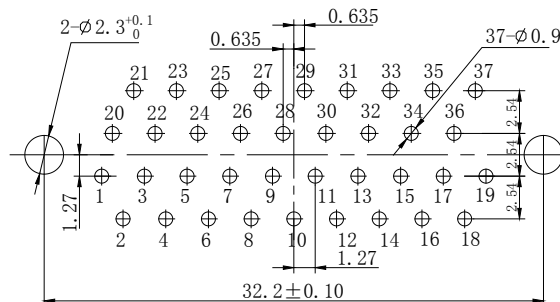
R04J-21RHS, RHS3, RHS4



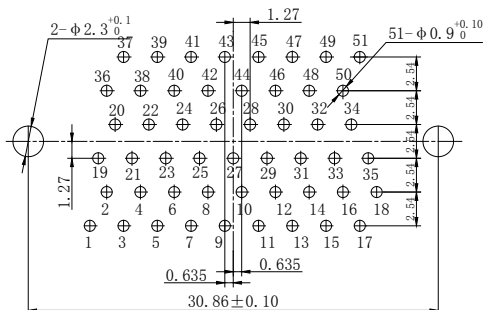
R04J-25RHS, RHS3, RHS4



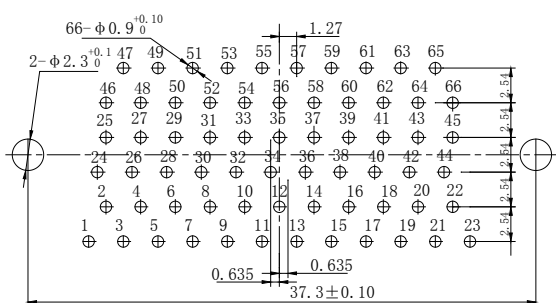
R04J-31RHS, RHS3, RHS4



R04J-37RHS, RHS3, RHS4



R04J-51RHS, RHS3, RHS4



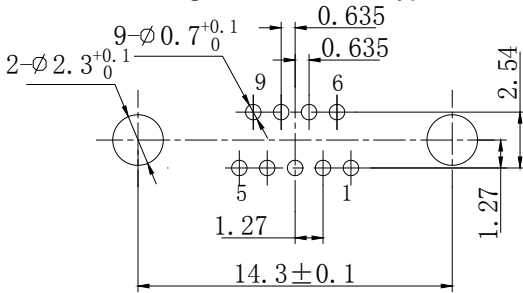
R04J-66RHS, RHS3, RHS4

Remark: All dimensions are in mm

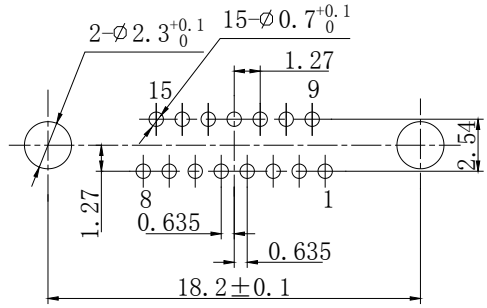


PCB Layout - PI Connector

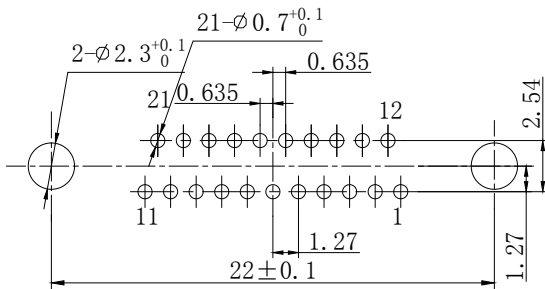
- Patterns shown are for connector mounting side of PC board.
- R04J Straight to PCB- S-J Type PI Connector



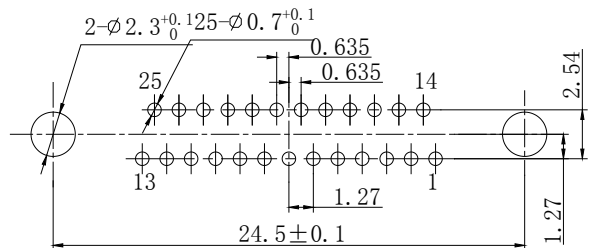
R04J-9PIS-J



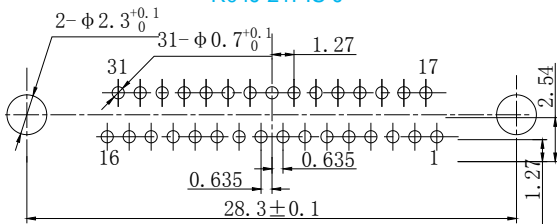
R04J-15PIS-J



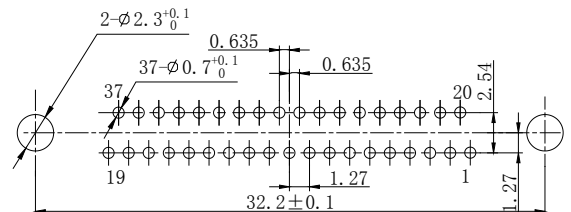
R04J-21PIS-J



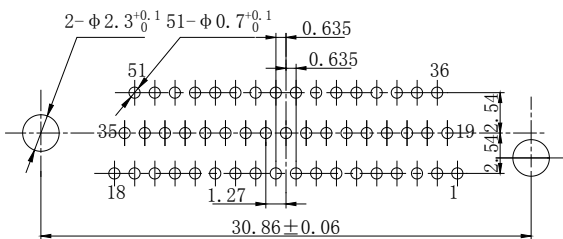
R04J-25PIS-J



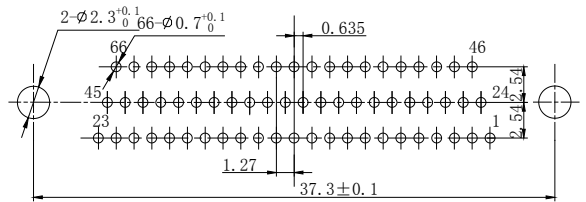
R04J-31PIS-J



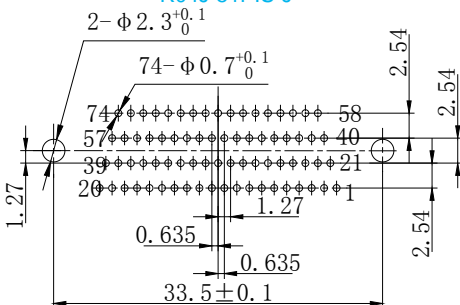
R04J-37PIS-J



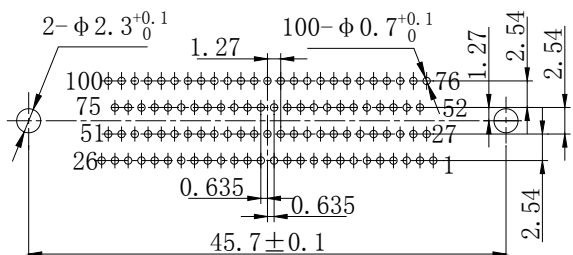
R04J-51PIS-J



R04J-66PIS-J



R04J-74PIS-J



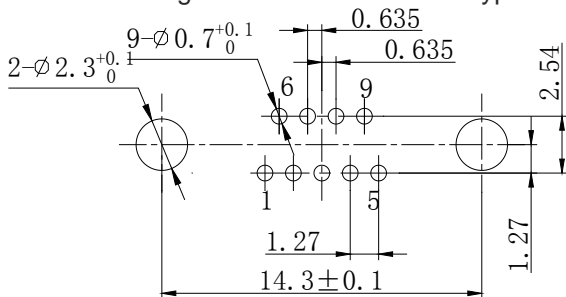
R04J-100PIS-J

Remark: All dimensions are in mm

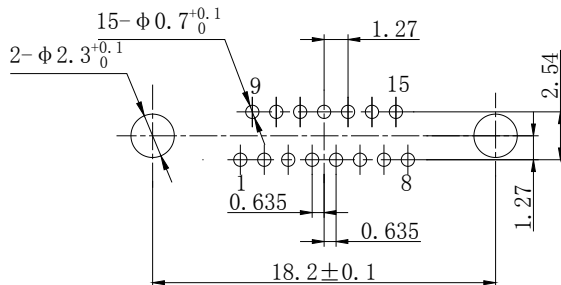


PCB Layout - RH Connector

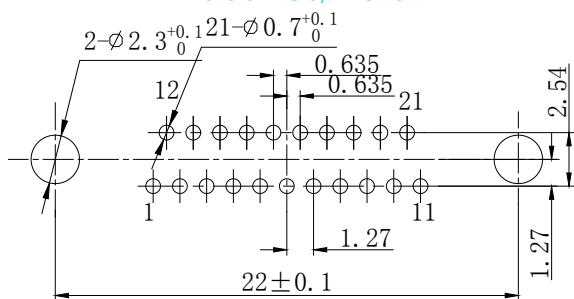
- Patterns shown are for connector mounting side of PC board.
- R04J Straight to PCB- S-J & S4 -J Type RH Connector



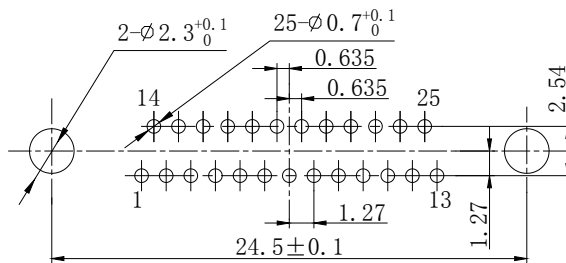
R04J-9RHS-J, RHS4-J



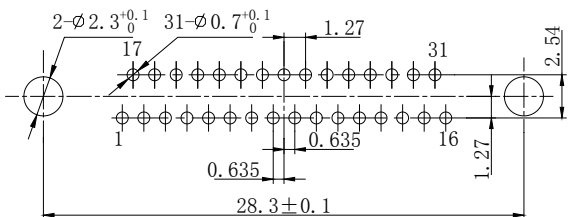
R04J-15RHS-J, RHS4-J



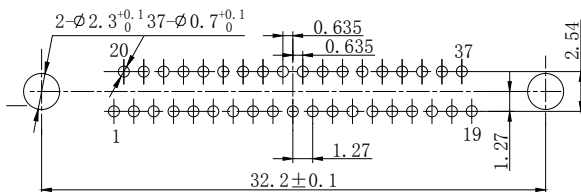
R04J-21RHS-J, RHS4-J



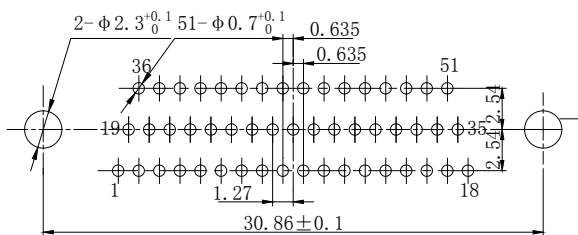
R04J-25RHS-J, RHS4-J



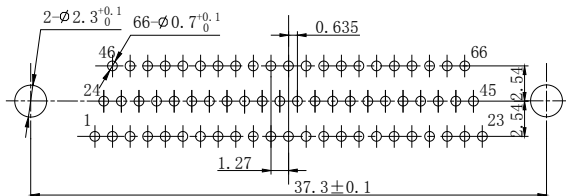
R04J-31RHS-J, RHS4-J



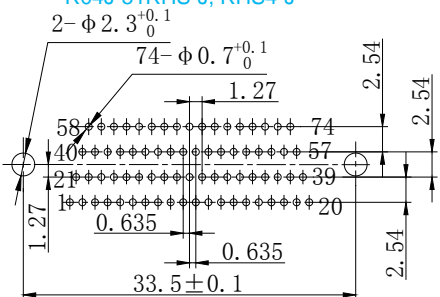
R04J-37RHS-J, RHS4-J



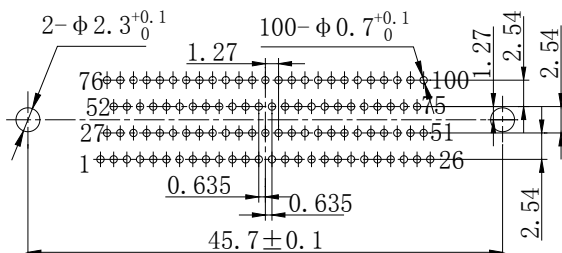
R04J-51RHS-J, RHS4-J



R04J-66RHS-J, RHS4-J



R04J-74RHS-J, RHS4-J



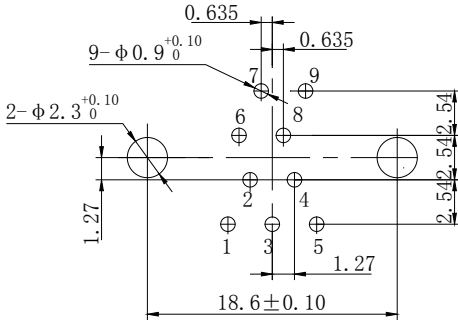
R04J-100RHS-J, RHS4-J

Remark: All dimensions are in mm

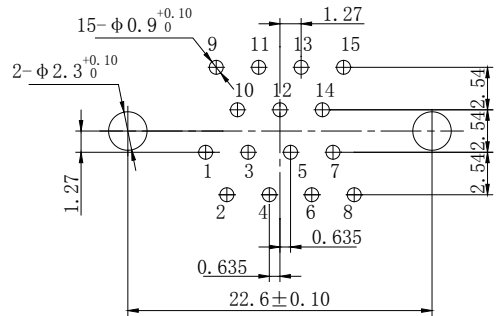


PCB Layout - fast lock RH Connector

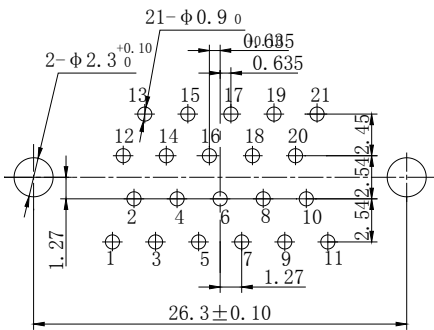
- Patterns shown are for connector mounting side of PC board.
- R04JA Straight to PCB- S Type RH Connector



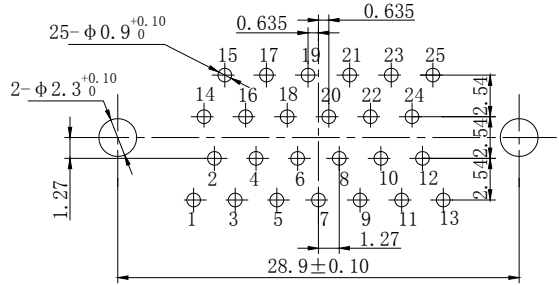
R04JA-9RHS



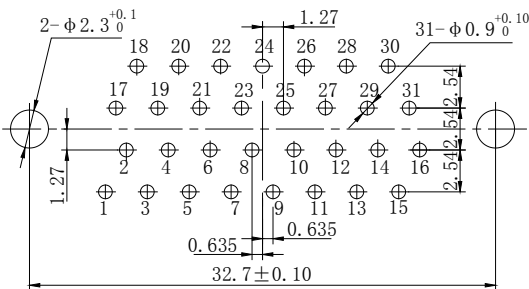
R04JA-15RHS



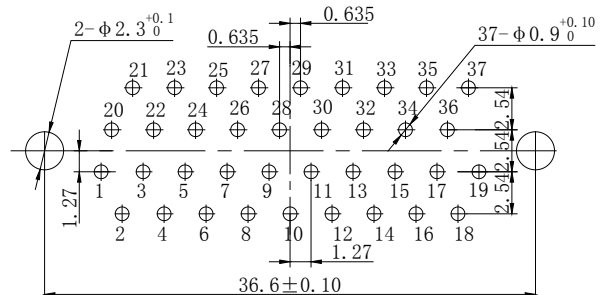
R04JA-21RHS



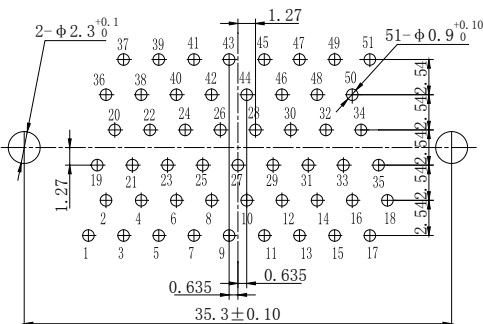
R04JA-25RHS



R04JA-31RHS



R04JA-37RHS



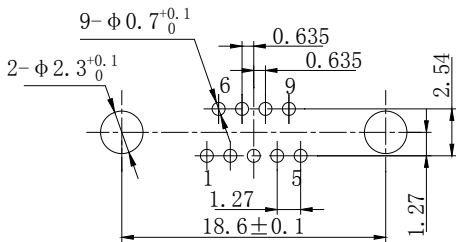
R04JA-51RHS

Remark: All dimensions are in mm

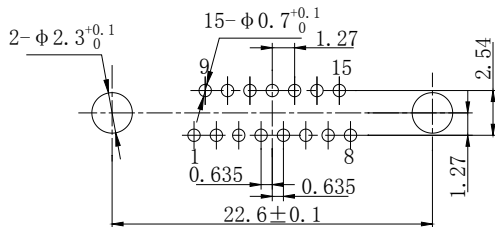


PCB Layout - fast lock RH Connector

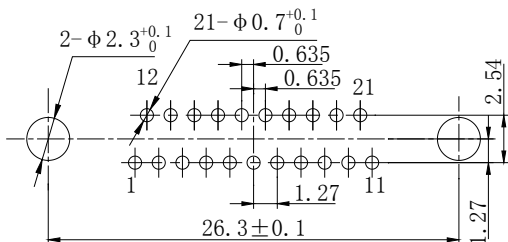
- Patterns shown are for connector mounting side of PC board.
- R04JA Straight to PCB- S-J Type RH Connector



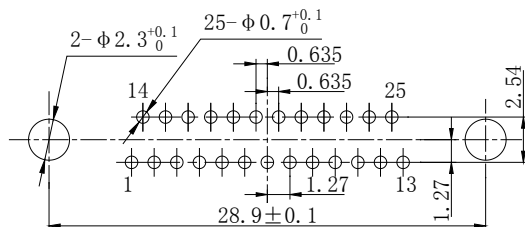
R04JA-9RHS-J



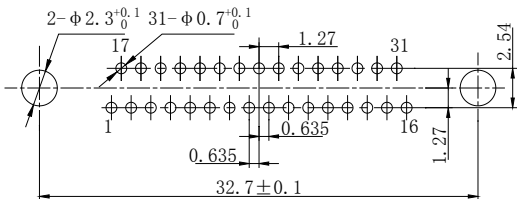
R04JA-15RHS-J



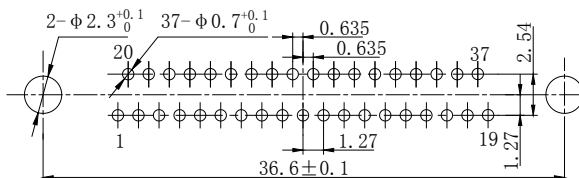
R04JA-21RHS-J



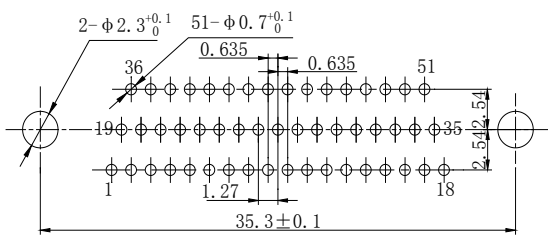
R04JA-25RHS-J



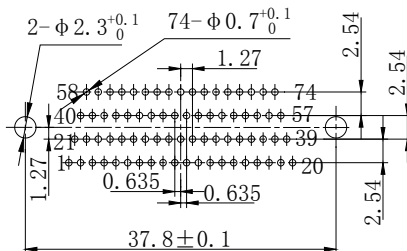
R04JA-31RHS-J



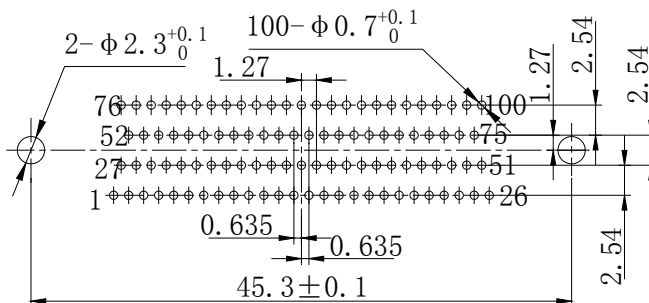
R04JA-37RHS-J



R04JA-51RHS-J



R04JA-74RHS-J

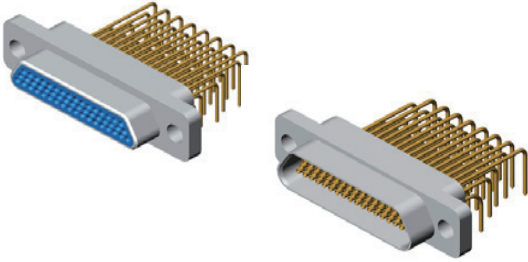


R04JA-100RHS-J

Remark: All dimensions are in mm

MIL-DTL-83513 Micro D-Sub Connectors

R04J Series Right Angle to PCB Type



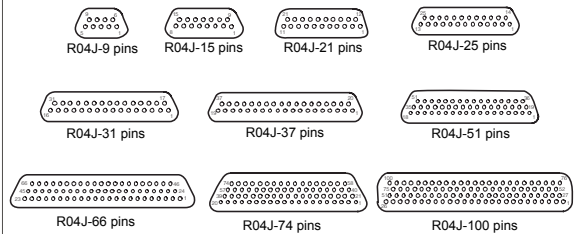
Introduction

- Micro D-sub connectors
- Twist pin contact, high density interconnection
- Metal shell, plated nickel or cadmium
- Right angle to PCB type
- Meet MIL-DTL-83513

Specification

- Environment temperature: $-55^{\circ}\text{C} \sim 125^{\circ}\text{C}$
- Vibration: $10\text{Hz} \sim 2000\text{Hz}$, 196m/s^2
- Random vibration: Power spectrum density $0.4\text{G}^2/\text{Hz}$
root mean square value of total acceleration 23.1G
- Shock: 735m/s^2 11sm
- Rated current: 3A
- Contact resistance: $\leq 10\text{m}\Omega$
- Insulation resistance: $\geq 5000\text{M}\Omega$
- Dielectric strength: 800V
- Durability: 500 times

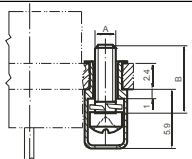
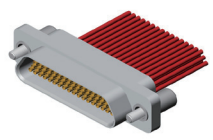
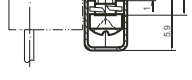
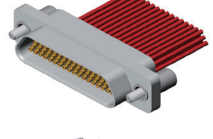
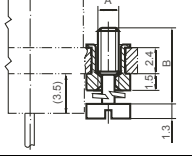
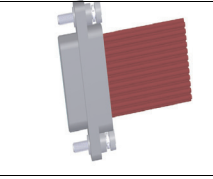
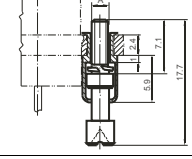
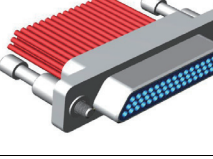
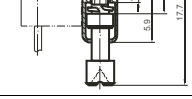
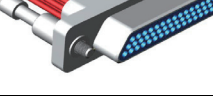
Contacts Layout



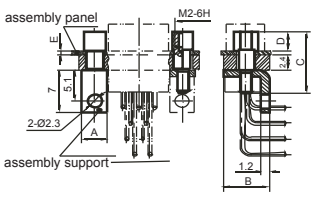
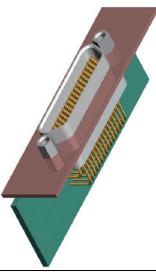
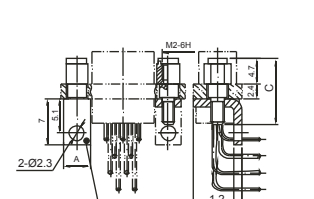
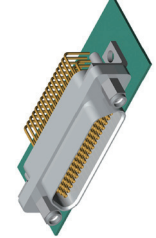
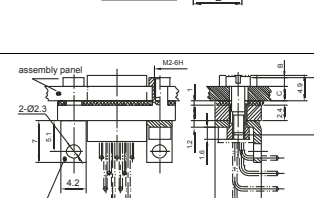
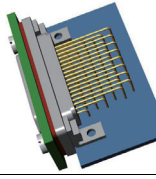
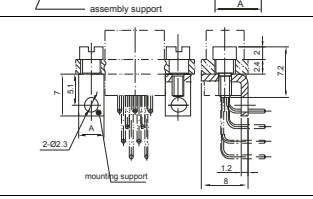
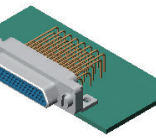
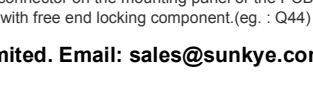
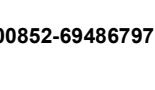
How To Order Right Angle to PCB Connector

Sample part number	R04J	— 25	PI	F	Q7		— J
Series:	<p>R04J—standar type</p> <p>R04JA—fast lock type</p> <p>R04JC—Sn-P bronze shell, finish nickel</p>						
Contact number:	<p>9, 15, 21, 25, 31, 37, 51, 66, 74, 100pins</p>						
Contact type :	<p>PI—pin in plug RH—socket in receptacle</p>						
Tail termination type:	<p>F—90° right angle to PCB</p>						
Locking component type:	<p>blank—without Regarding locking component type, please see page2</p>						
Shell material and finish :	<p>Blank—Aluminum shell, finish nickel G—Aluminum shell, finish cadmium</p>						
Extended Series :	<p>Blank—standard type</p> <p>Q—widen the flange</p> <p>Q8—the flange size and assembly hole size are enlarged from the standard type</p>						
PCB layout :	<p>J—$1.27 \times 2.54\text{mm}$ Blank—$2.54 \times 2.54\text{mm}$</p>						

R04J series free end locking component

Type	A	B	Outline dimension	Assembly picture	Matched with locking component
W	M2-6h	7.1			Q, Q0, Q2, Q3, Q4, Q5, Q7, Q8, Q9, Q10, Q11, Q14, Q15, Q17, Q23, Q25, Q29, Q32, Q35, Q36, Q37, Q41, Q42, Q43, Q45, Q46
W8	#2-56UNC-2A	7.1			Q1
W7	M2-6h	7.1			Q, Q0, Q2, Q3, Q4, Q5, Q7, Q8, Q9, Q10, Q11, Q14, Q15, Q17, Q23, Q25, Q29, Q32, Q35, Q36, Q37, Q41, Q42, Q43, Q45, Q46
N	M2-6h				Q, Q0, Q2, Q3, Q4, Q5, Q7, Q8, Q9, Q10, Q11, Q14, Q15, Q17, Q23, Q25, Q29, Q32, Q35, Q36, Q37, Q41, Q42, Q43, Q45, Q46
N1	#2-56UNC-2A				Q1

R04J series fixed end locking component for right angle to PCB

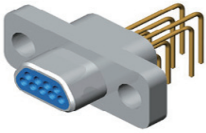
Type	Pin count	A	B	C	D	E	Outline dimension	Assembly picture	Matched with locking component
Q2	9-37	4.2	7.6	11.6	3.7	1			W, W7, W9, N Note: Just suitable for rear panel mounting
	51	4.2	8.7	11.6	3.7	1			
	74	4.2	9.7	11.6	3.7	1			
	100	8.8	9.7	11.6	3.7	1			
Q14	9-37	4.2	7.6	10.7	1.7	3			W, W7, W9, N Note: Just suitable for front panel mounting
	51	4.2	8.7	10.7	1.7	3			
	74	4.2	9.7	10.7	1.7	3			
	100	8.8	9.7	10.7	1.7	3			
Q7	9-37	4.2	7.6	10.7					W, W7, W9, N Note: Just suitable for front panel mounting
	51	4.2	8.7	10.7					
	74	4.2	9.7	10.7					
	100	8.8	9.7	10.7					
Q42	9-37	4.2	7.6	9.7					W, W7, W9, N Note: 1. Just suitable for R04J-9-51PIF/RHF-Q8, front panel mounting
	51	4.2	8.7	9.7					
	74	4.2	9.7	9.7					
	100	8.8	9.7	9.7					
Q15	9-37	7.6	1.9	2.5	9.7				W, W7, W9, N Note: 1. Just suitable for R04J-9-51PIF/RHF-Q8, front panel mounting
	51	8.7	1.9	2.5	9.7				
Q35	9-37	7.6	2.4	1.8	9.5				W, W7, W9, N Note: 1. Just suitable for R04J-9-51PIF/RHF-Q8, front panel mounting
	51	8.7	2.4	1.8	9.5				
V1	9-37	4.2	7.6	9.7					Not need to lock with locking component of free end
	51	4.2	8.7	9.7					
	74	4.2	9.7	9.7					
	100	8.8	9.7	9.7					

Remark: 1. Fixed end locking component apply to fix the connector on the mounting panel or the PCB. Most fixed end locking component can mate with free end locking component. Few fixed end locking component can't mate with free end locking component. (eg.: Q44)

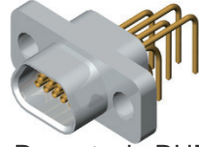
2. All dimensions are in mm

sunkye International Co., Limited. Email: sales@sunkye.com Tel: 00852-69486797 Fax: 00852-31828508

R04J series standard type inserting to PCB - right angle to PCB



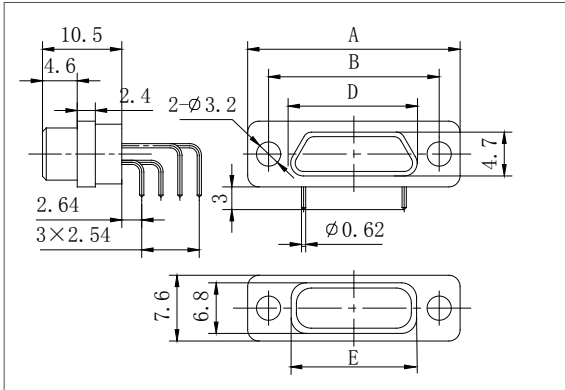
Plug:PIF



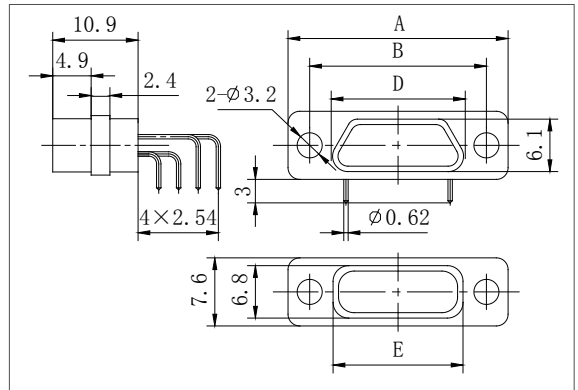
Receptacle:RHF

- Shell Plating Finish: Nickel or Cadmium
- The PCB Layout: 2.54*2.54mm
- Contacts:
R04J- 9, 15, 21, 25, 31, 37, 51, 66, PIF/RHF

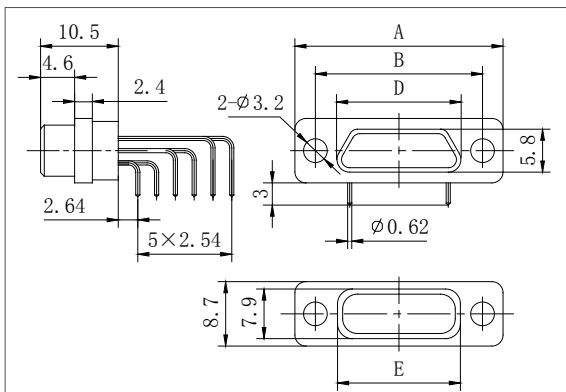
Outline Dimension



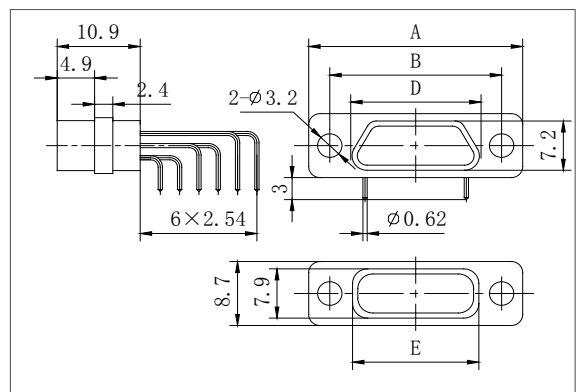
R04J-9~37PIF



R04J-9~37RHF



R04J-51, 66 PIF

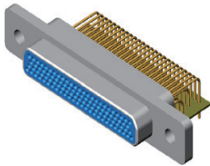


R04J-51, 66 RHF

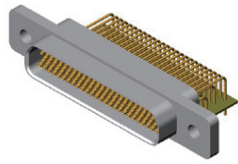
Part Number	A	B	D		E
			PIF	RHF	
R04J-9PIF/RHF	19.6	14.3	8.3	9.8	9.9
R04J-15PIF/RHF	23.5	18.2	12.3	13.7	13.8
R04J-21PIF/RHF	27.4	22	16	17.4	17.6
R04J-25PIF/RHF	29.8	24.5	18.6	20	20.2
R04J-31PIF/RHF	33.6	28.3	22.4	23.8	24
R04J-37PIF/RHF	37.4	32.2	26.3	27.7	27.8
R04J-51PIF/RHF	36.4	30.86	25	26.5	26.6
R04J-66PIF/RHF	42.9	37.3	31.4	32.9	33

Remark:All dimensions are in mm

R04J series right angle to PCB -J type



Plug:PIF-J



Receptacle:RHF-J

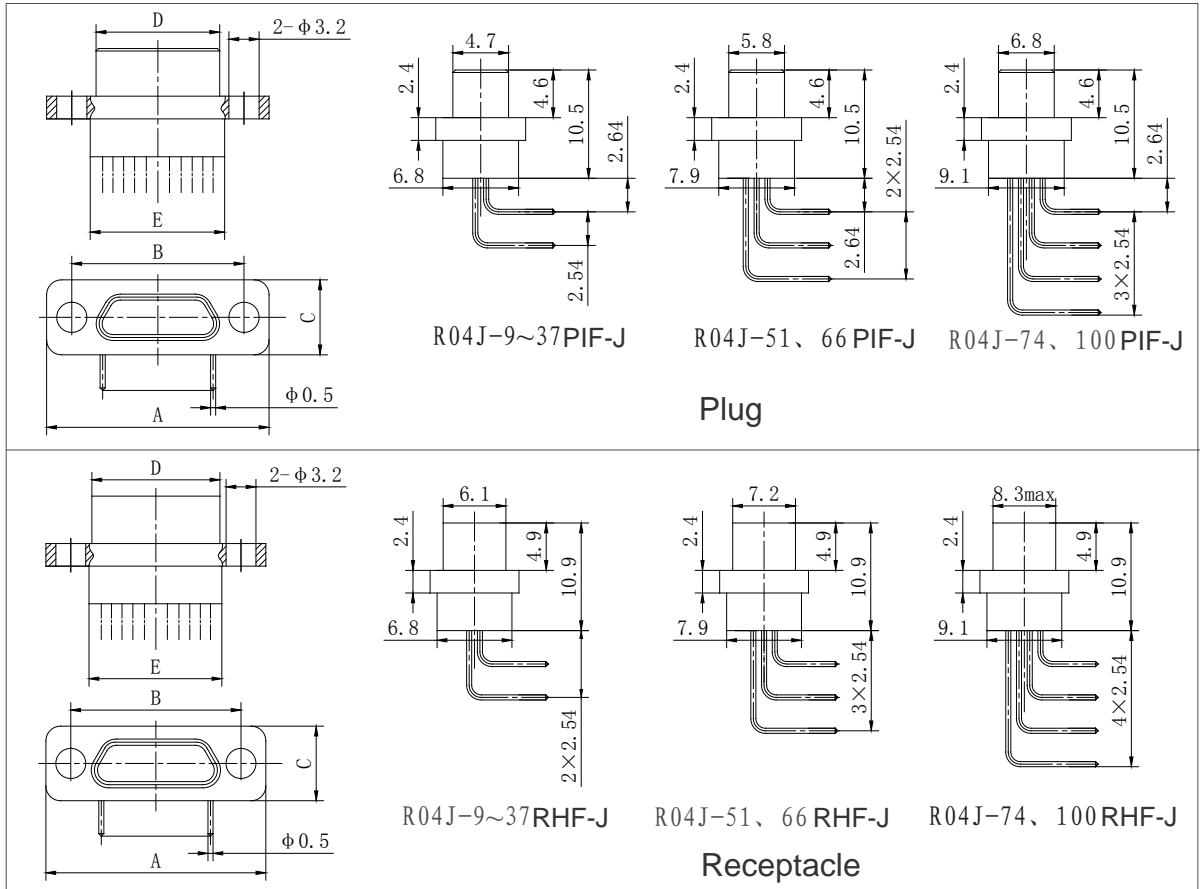
■ **Shell Plating Finish:** Nickel or Cadmium

■ **The PCB Layout:** 1.27*2.54mm

■ **Contacts:**

R04J- 9, 15, 21, 25, 31, 37, 51, 66, 74,100PIF/RHF-J

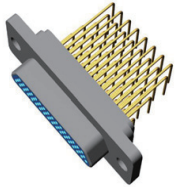
Outline Dimension



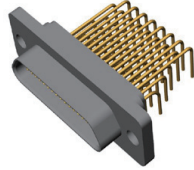
Part Number	A	B	C	D		E
				PIF-J	RHF-J	
R04J-9PIF-J/RHF-J	19.6	14.3	7.6	8.3	9.8	9.9
R04J-15PIF-J/RHF-J	23.5	18.2	7.6	12.3	13.7	13.8
R04J-21PIF-J/RHF-J	27.4	22	7.6	16	17.4	17.6
R04J-25PIF-J/RHF-J	29.8	24.5	7.6	18.6	20	20.2
R04J-31PIF-J/RHF-J	33.6	28.3	7.6	22.4	23.8	24
R04J-37PIF-J/RHF-J	37.4	32.2	7.6	26.3	27.7	27.8
R04J-51PIF-J/RHF-J	36.4	30.86	8.7	25	26.5	26.6
R04J-66PIF-J/RHF-J	42.9	37.3	8.7	31.4	32.9	33
R04J-74PIF-J/RHF-J	38.8	33.5	9.7	27.5	29	29.1
R04J-100PIF-J/RHF-J	54.7	45.7	9.7	35	36.6	36.6

Remark:All dimensions are in mm

R04J series right angle to PCB -Q8 type



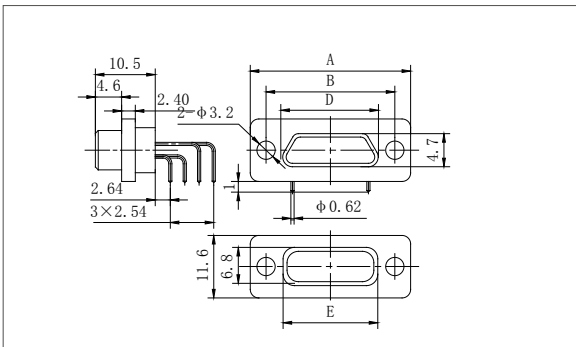
Plug:PIF-Q8



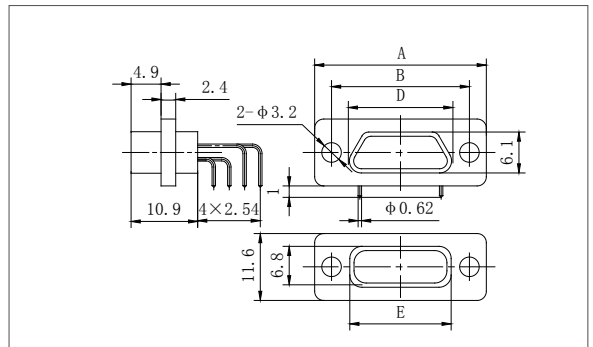
Receptacle:RHF-Q8

- **Shell Plating Finish:** Nickel or Cadmium
- **The PCB Layout:** 2.54*2.54mm
- **Contacts:**
R04J- 9, 15, 21, 25, 31, 37, 51PIF-Q8/RHF-Q8

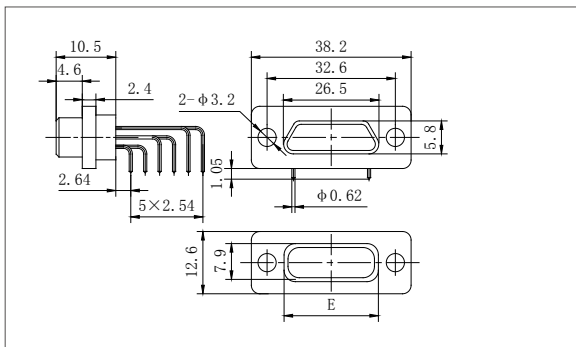
Outline Dimension



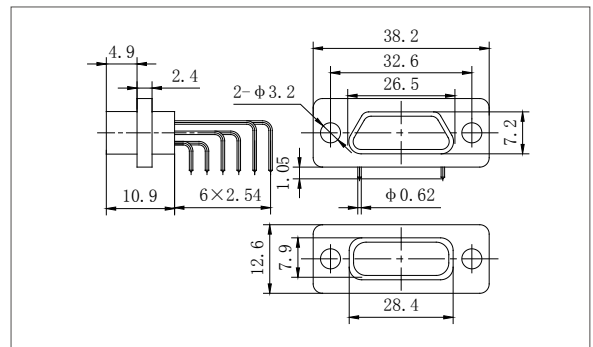
R04J-9~37 PIF-Q8



R04J-9~37 RHF-Q8



R04J-51PIF-Q8

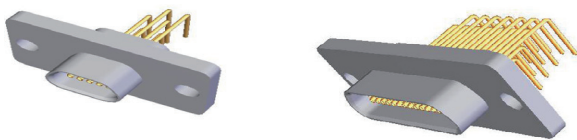


R04J-51 RHF-Q8

Part Number	A	B	D		E
			PIF-Q8	RHF-Q8	
R04J-9 PIF/ RHF-Q8	21.4	16.1	8.3	9.8	11.7
R04J-15 PIF/ RHF-Q8	25.3	20	12.3	13.7	15.6
R04J-21 PIF/ RHF-Q8	29.2	23.8	16	17.4	19.4
R04J-25 PIF/ RHF-Q8	31.6	26.3	18.6	20	22
R04J-31 PIF/ RHF-Q8	35.4	30.1	22.4	23.8	25.8
R04J-37 PIF/ RHF-Q8	39.2	34	26.3	27.7	29.6
R04J-51 PIF/ RHF-Q8	show on the outline dimension drawing				

Remark:All dimensions are in mm

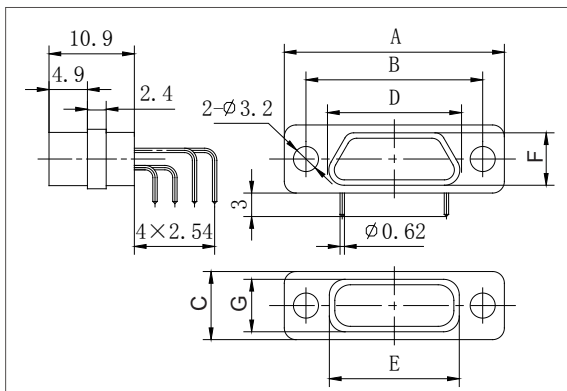
R04J series extended type right angle to PCB - R04JC-Q type



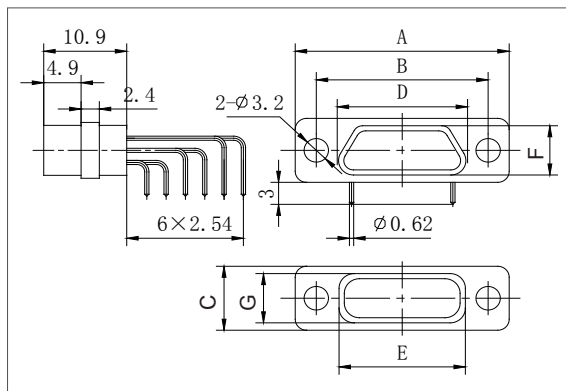
Receptacle:R04JC-*RHF-Q

- **Outer shell:** Sn-p outer shell, plated nickel
- **The PCB Layout:** 2.54*2.54mm
- **Widen the flange**
- **Receptacle**
- **Contacts:**
R04JC- 9, 15, 21, 25, 31, 37, 51,66RHF-Q

Outline Dimension



R04JC-9~ 37RHF-Q

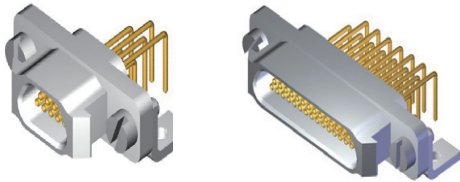


R04JC-51、 66 RHF-Q

Part Number	A	B	C	D	E	F	G
R04JC-9RHF-Q	26	21	14	9.8	9.9	6.1	6.8
R04JC-15RHF-Q	29.9	24.9	14	13.7	13.8	6.1	6.8
R04JC-21RHF-Q	33.8	28.7	14	17.4	17.6	6.1	6.8
R04JC-25RHF-Q	36.2	31.2	14	20	20.2	6.1	6.8
R04JC-31RHF-Q	40	35	14	23.8	24	6.1	6.8
R04JC-37RHF-Q	43.8	38.9	14	27.7	27.8	6.1	6.8
R04JC-51RHF-Q	42.6	37.6	15.2	26.5	26.6	7.2	7.9
R04JC-66RHF-Q	49.3	44	15.2	32.9	33	7.2	7.9

Remark:All dimensions are in mm

R04J series extended type right angle to PCB - fast lock type



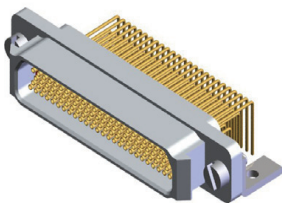
Receptacle:R04JA-*RHF

- **Shell Plating Finish:** Nickel or Cadmium
- **The PCB Layout:** 2.54*2.54mm
- **With fast locking**
- **Receptacle**
- **Contacts:**
R04JA- 9, 15, 21, 25, 31, 37, 51RHF

Outline Dimension

Part Number	A	B	D	E
R04JA-9RHF	23.4	18.6	14.3	9.8
R04JA-15RHF	27.4	22.6	18.3	13.8
R04JA-21RHF	31.1	26.3	22	17.5
R04JA-25RHF	33.7	28.9	24.6	20.1
R04JA-31RHF	37.5	32.7	28.4	24.1
R04JA-37RHF	41.4	36.6	32.3	27.8

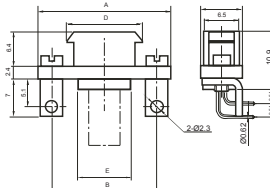
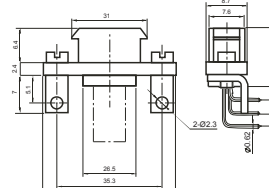
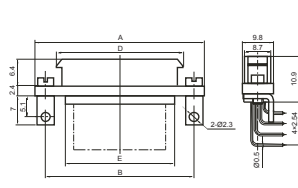
R04J series extended type right angle to PCB - fast lock - J type



Receptacle:R04JA-*RHF-J

- **Shell Plating Finish:** Nickel or Cadmium
- **The PCB Layout:** 1.27*2.54mm
- **With fast locking**
- **Receptacle**
- **Contacts:**
R04JA- 9, 15, 21, 25, 31, 37, 51, 66, 74, 100RHF-J

Outline Dimension

 <p>R04JA-9~37RHF-J</p>	 <p>R04JA-51RHF-J</p>	 <p>R04JA-74, 100RHF-J</p>
--	--	--

Part Number	A	B	D	E
R04JA-9RHF-J	23.4	18.6	14.3	9.8
R04JA-15RHF-J	27.4	22.6	18.3	13.8
R04JA-21RHF-J	31.1	26.3	22	17.5
R04JA-25RHF-J	33.7	28.9	24.6	20.1
R04JA-31RHF-J	37.5	32.7	28.4	24.1
R04JA-37RHF-J	41.4	36.6	32.3	27.8
R04JA-74RHF-J	42.6	37.8	33.5	29
R04JA-100RHF-J	50.1	45.3	41	36.5
R04JA-51RHF-J	See outerline dimension drawing			

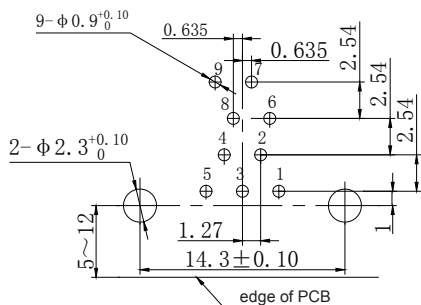
Remark:All dimensions are in mm



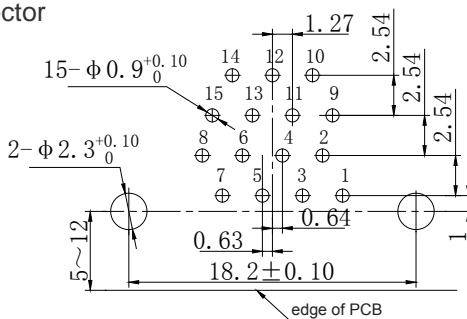
PCB Layout - PI Connector

■ Patterns shown are for connector mounting side of PC board

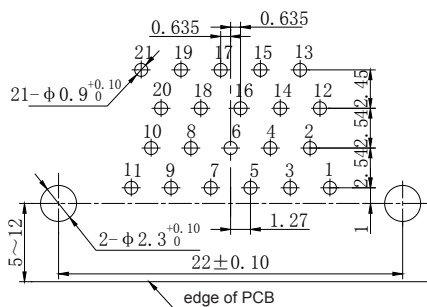
■ R04J Right Angle to PCB Standard Type PI Connector



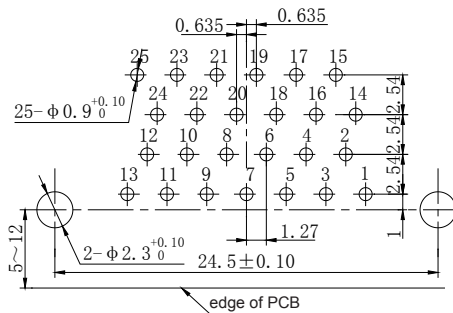
R04J-9PIF



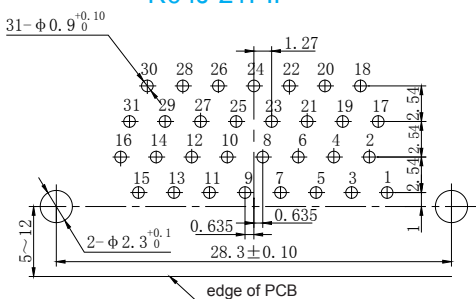
R04J-15PIF



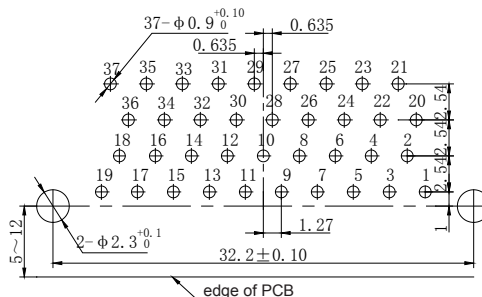
R04J-21PIF



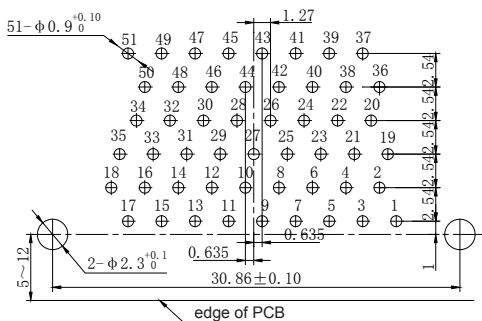
R04J-25PIF



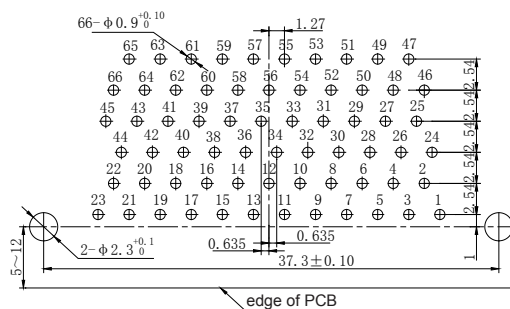
R04J-31PIF



R04J-37PIF



R04J-51PIF



R04J-66PIF

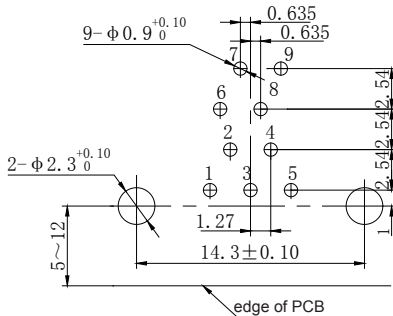
Remark: All dimensions are in mm



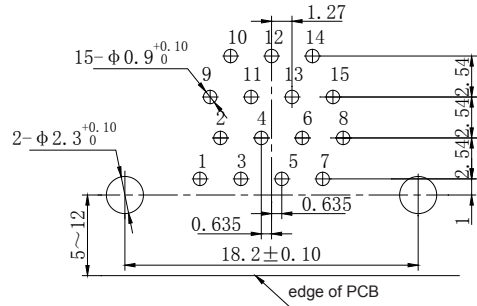
PCB Layout - RH Connector

■ Patterns shown are for connector mounting side of PC board

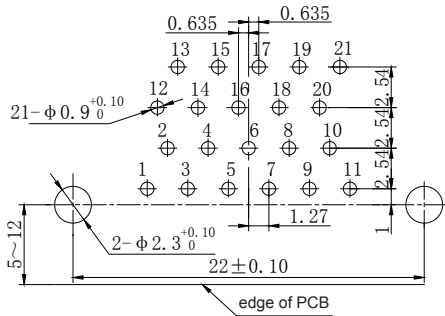
■ R04J Right Angle to PCB Standard Type RH Connector



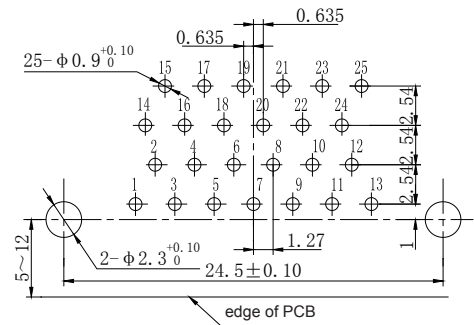
R04J-9RHF



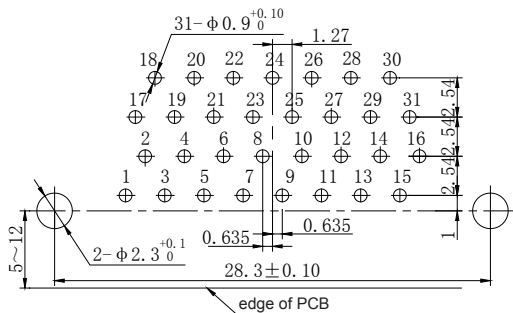
R04J-15RHF



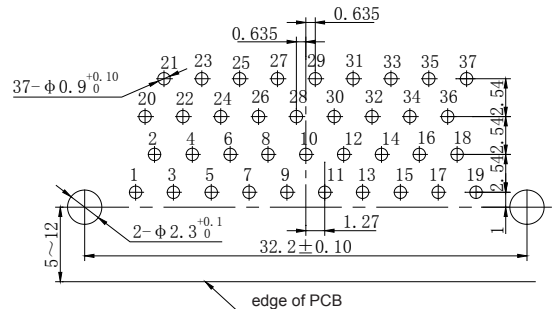
R04J-21RHF



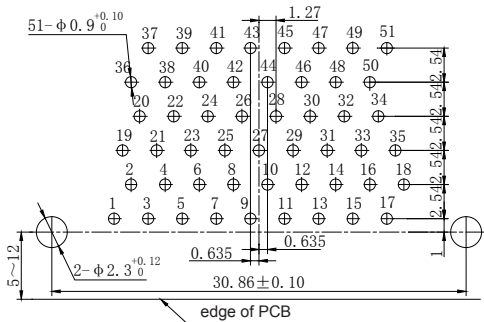
R04J-25RHF



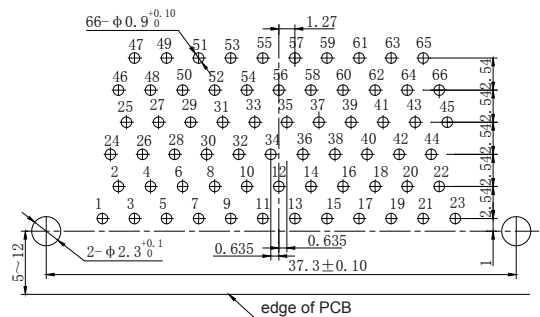
R04J-31RHF



R04J-37RHF



R04J-51RHF

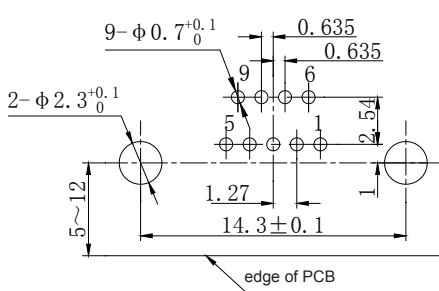


R04J-66RHF

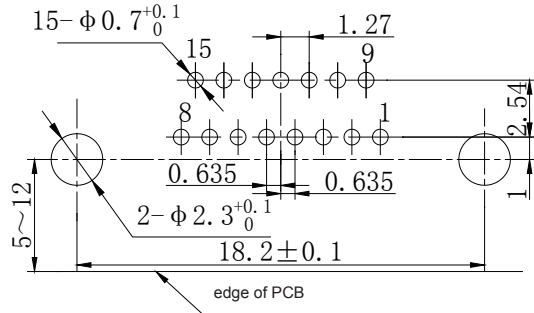
Remark: All dimensions are in mm

PCB Layout - PI Connector

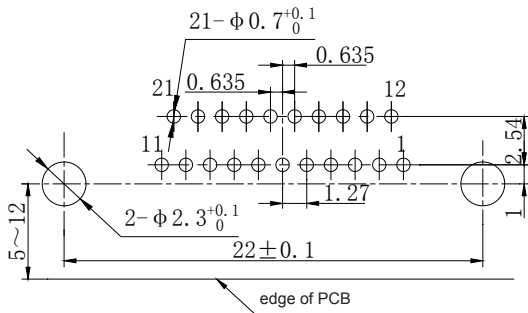
- Patterns shown are for connector mounting side of PC board
- R04J Right Angle to PCB F-J Type PI Connector



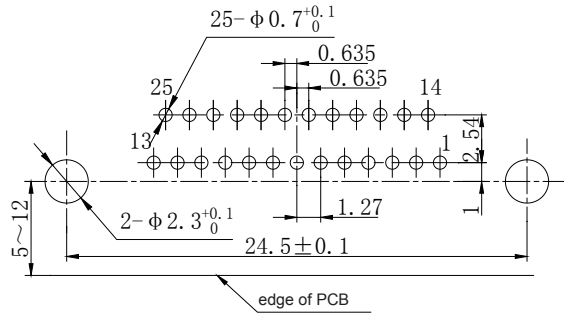
R04J-9PIF-J



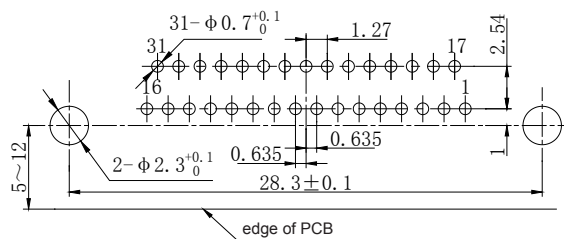
R04J-15PIF-J



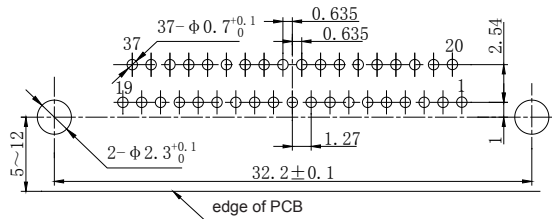
R04J-21PIF-J



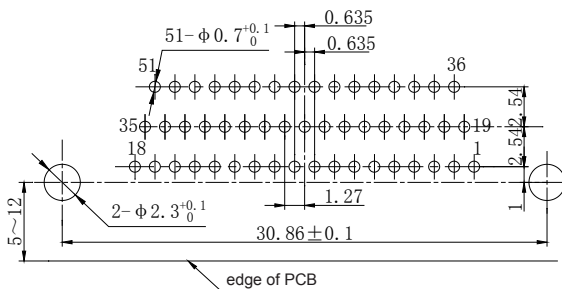
R04J-25PIF-J



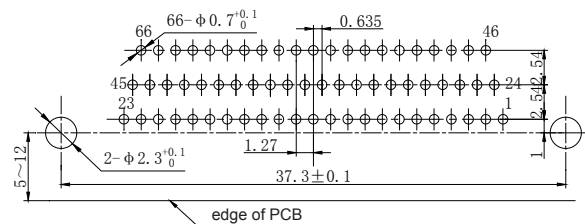
R04J-31PIF-J



R04J-37PIF-J



R04J-51PIF-J

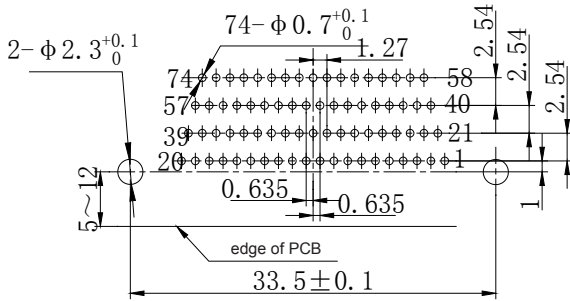


R04J-66PIF-J

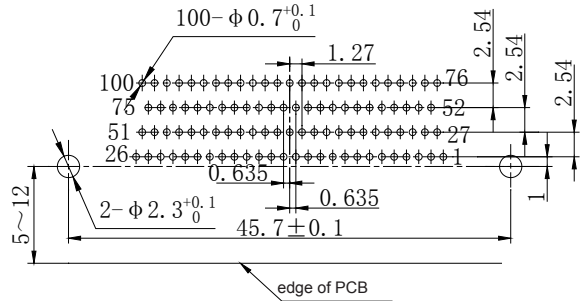
Remark: All dimensions are in mm

PCB Layout - PI Connector

- Patterns shown are for connector mounting side of PC board
- R04J Right Angle to PCB F-J Type PI Connector



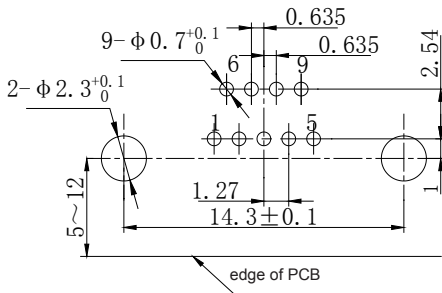
R04J-74PIF-J



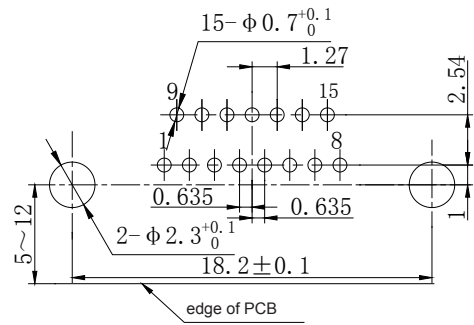
R04J-100PIF-J

PCB Layout - RH Connector

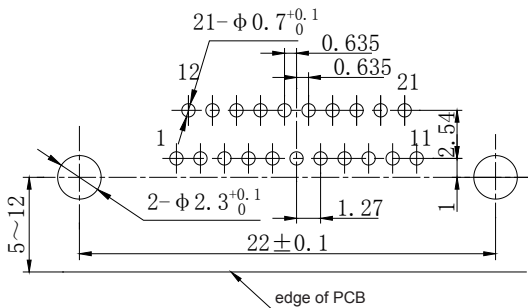
- Patterns shown are for connector mounting side of PC board
- R04J Right Angle to PCB F-J Type RH Connector



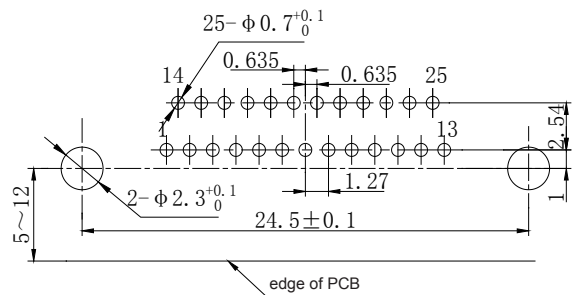
R04J-9RHF-J



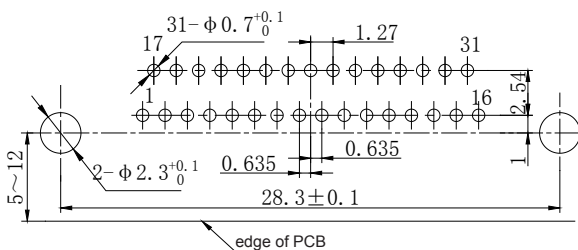
R04J-15RHF-J



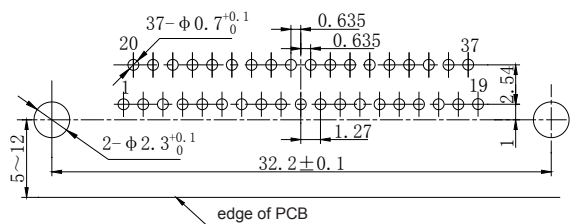
R04J-21RHF-J



R04J-25RHF-J



R04J-31RHF-J



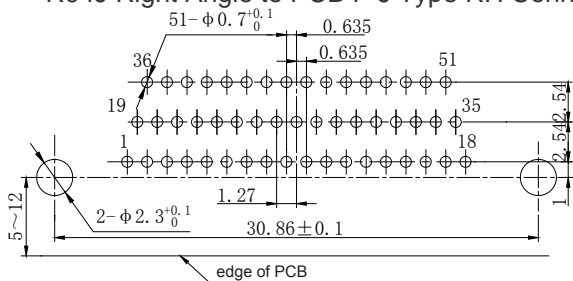
R04J-37RHF-J

Remark: All dimensions are in mm

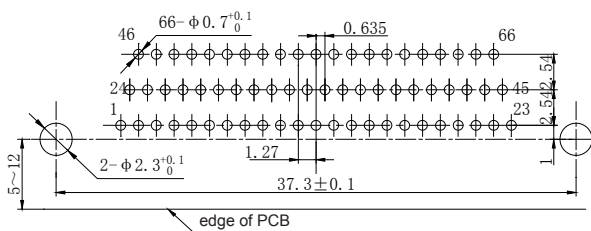


PCB Layout - RH Connector

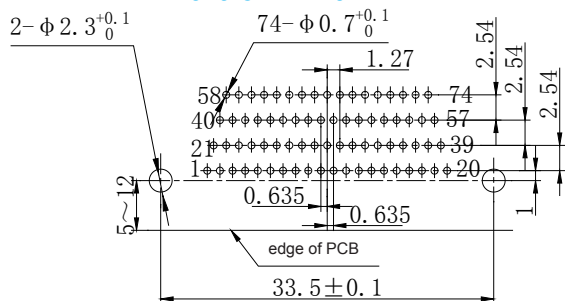
- Patterns shown are for connector mounting side of PC board
- R04J Right Angle to PCB F-J Type RH Connector



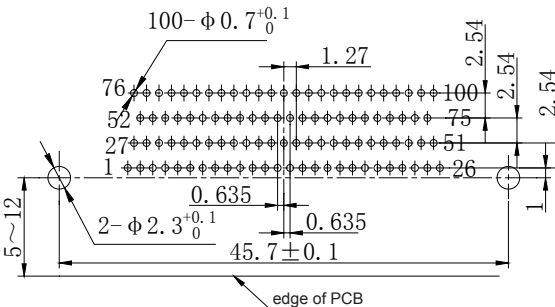
R04J-51RHF-J



R04J-66RHF-J



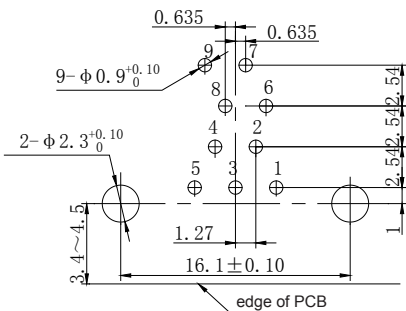
R04J-74RHF-J



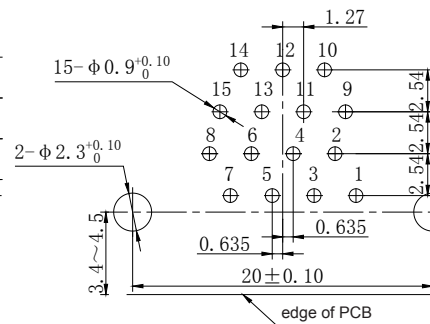
R04J-100RHF-J

PCB Layout - PI Connector

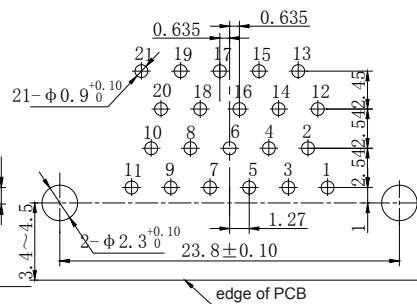
- Patterns shown are for connector mounting side of PC board
- R04J Right Angle to PCB F-Q8 Type PI Connector



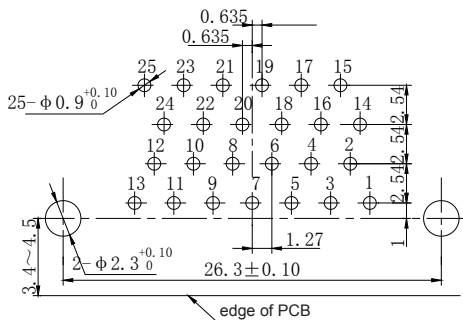
R04J-9PIF-Q8



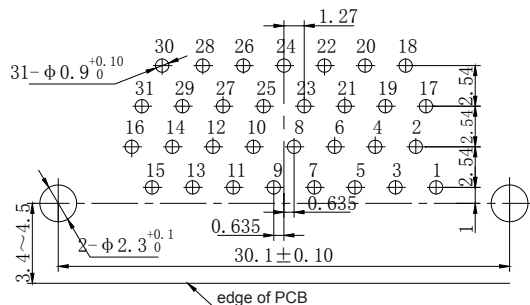
R04J-15PIF-Q8



R04J-21PIF-Q8



R04J-25PIF-Q8



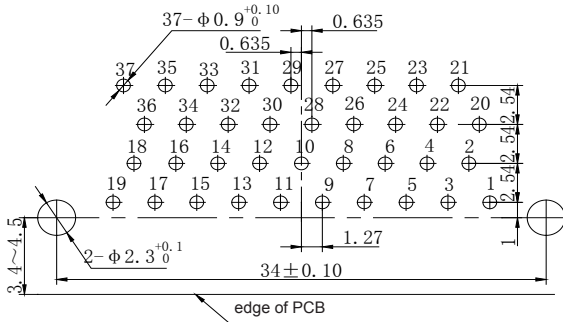
R04J-31PIF-Q8

Remark: All dimensions are in mm

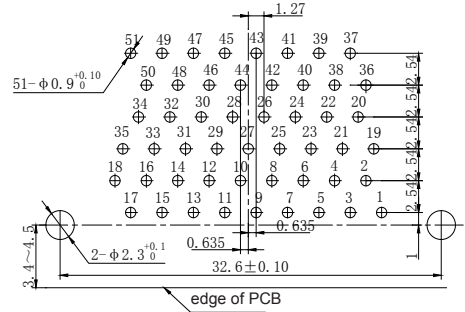


PCB Layout - PI Connector

- Patterns shown are for connector mounting side of PC board
- R04J Right Angle to PCB F-Q8 Type PI Connector



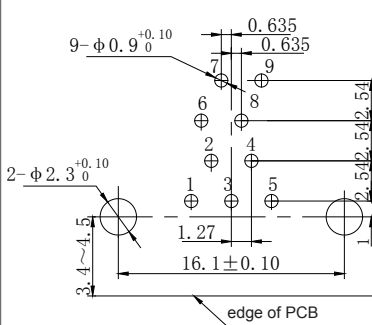
R04J-37PIF-Q8



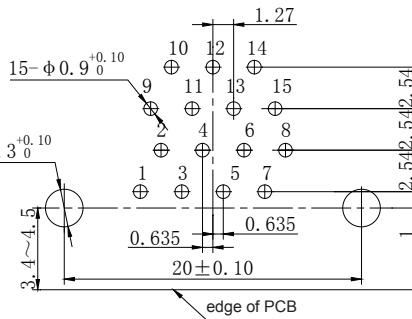
R04J-51PIF-Q8

PCB Layout - RH Connector

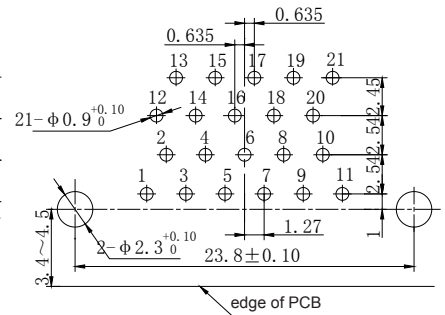
- Patterns shown are for connector mounting side of PC board
- R04J Right Angle to PCB F-Q8 Type RH Connector



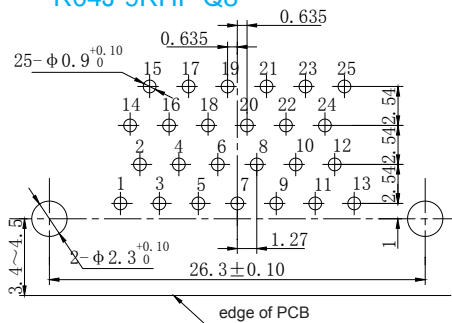
R04J-9RHF-Q8



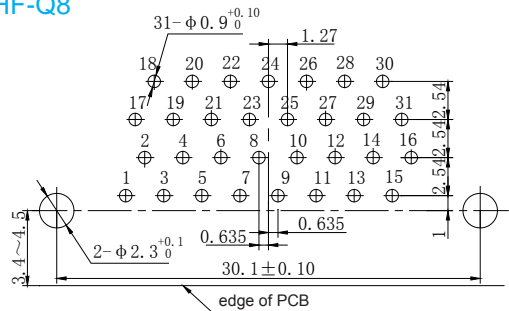
R04J-15RHF-Q8



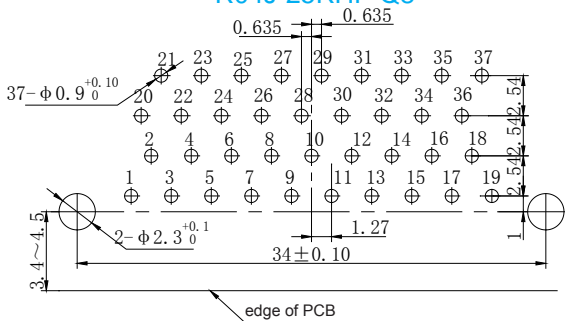
R04J-21RHF-Q8



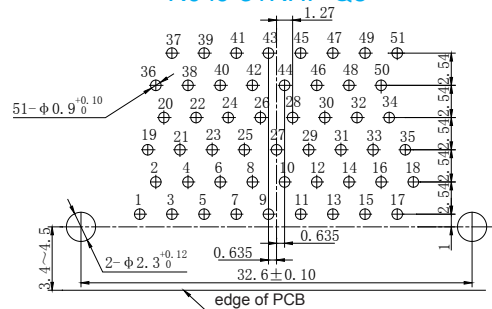
R04J-25RHF-Q8



R04J-31RHF-Q8



R04J-37RHF-Q8



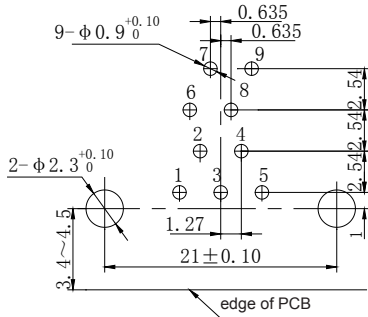
R04J-51RHF-Q8

Remark: All dimensions are in mm

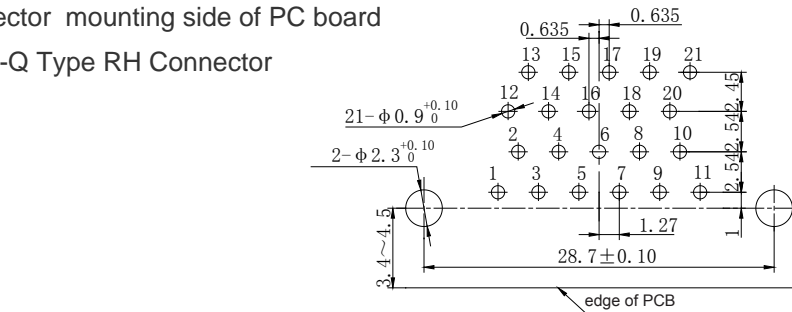


PCB Layout - RH Connector

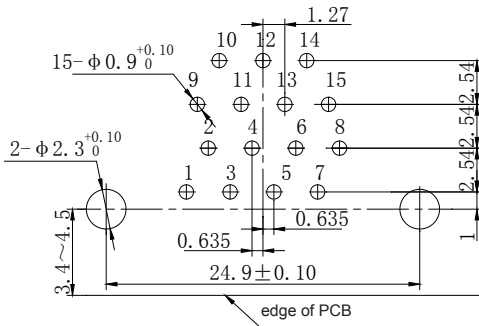
- Patterns shown are for connector mounting side of PC board
- R04JC Right Angle to PCB F-Q Type RH Connector



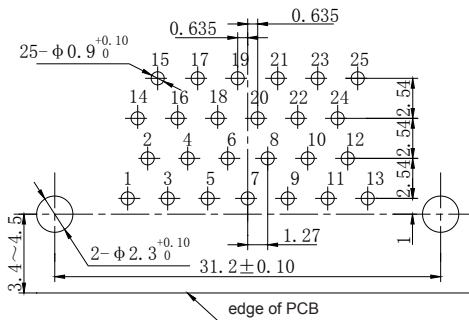
R04JC-9RHF-Q



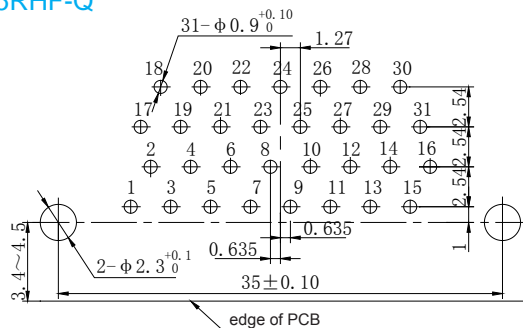
R04JC-21RHF-Q



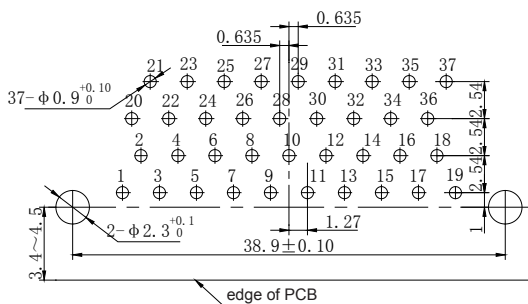
R04JC-15RHF-Q



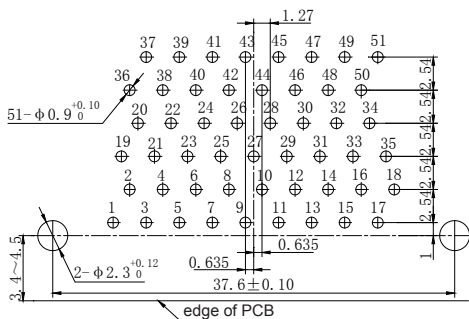
R04JC-25RHF-Q



R04JC-31RHF-Q



R04JC-37RHF-Q



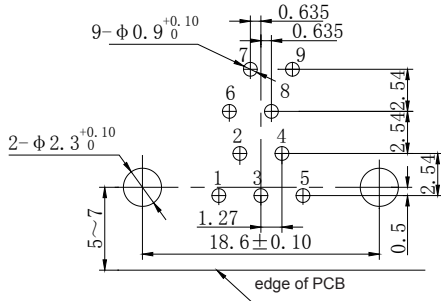
R04JC-51RHF-Q

Remark: All dimensions are in mm

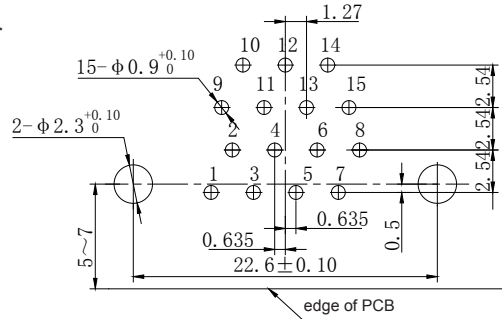


PCB Layout - RH Connector

- Patterns shown are for connector mounting side of PC board
- R04JA Right Angle to PCB F Type RH Connector



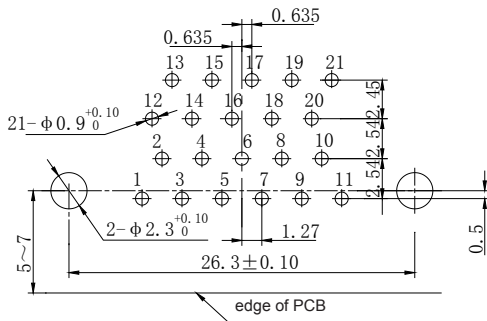
R04JA-9RHF



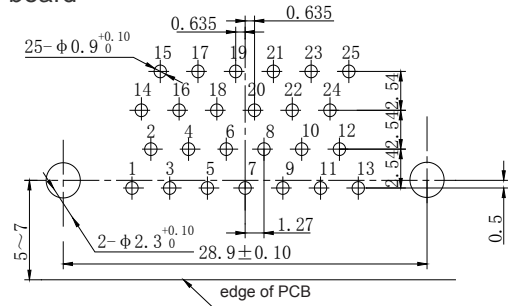
R04JA-15RHF

PCB Layout - RH Connector

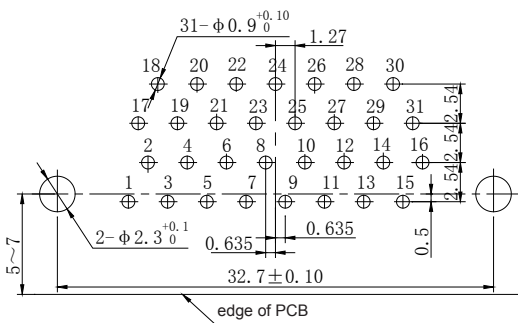
- Patterns shown are for connector mounting side of PC board
- R04JA Right Angle to PCB F Type RH Connector



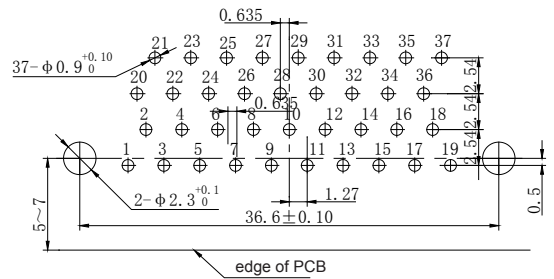
R04JA-21RHF



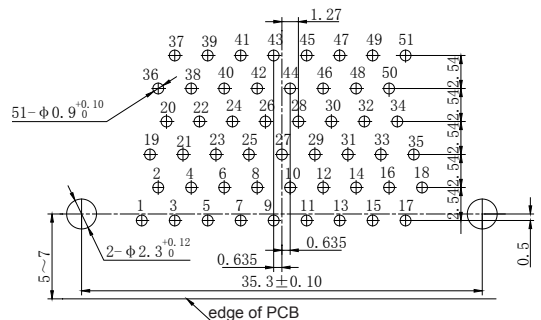
R04JA-25RHF



R04JA-31RHF



R04JA-37RHF



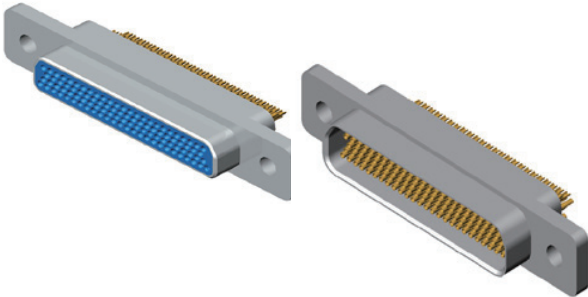
R04JA-51RHF

Remark: All dimensions are in mm



MIL-DTL-83513 Micro D-Sub Connectors

R04J Series Solder Cup Connector



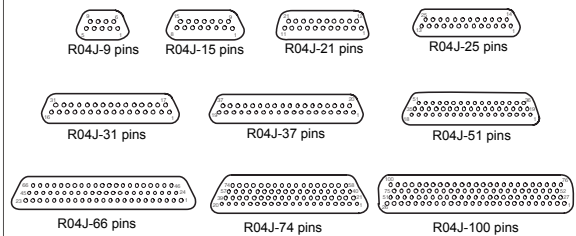
Introduction

- Micro D-sub connectors
- Twist pin contact, high density interconnection
- Metal shell, plated nickel or cadmium
- Solder cup connector
- Meet MIL-DTL-83513

Specification

- Environment temperature: $-55^{\circ}\text{C} \sim 125^{\circ}\text{C}$
- Vibration: 10Hz~2000Hz, 196m/s^2
- Random vibration: Power spectrum density $0.4\text{G}^2/\text{Hz}$
root mean square value of total acceleration 23.1G
- Shock: 735m/s^2 11sm
- Rated current: 3A
- Contact resistance: $\leq 10\text{m}\Omega$
- Insulation resistance: $\geq 5000\text{ M}\Omega$
- Dielectric strength: 800V
- Durability: 500 times

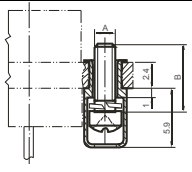
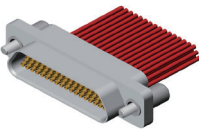
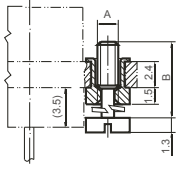
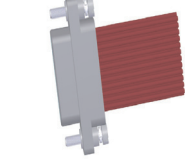
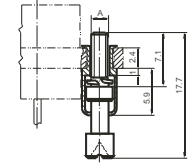
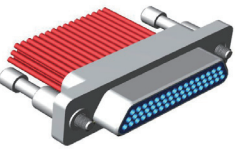
Contact arrangements



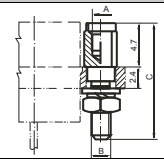
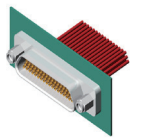
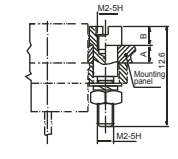
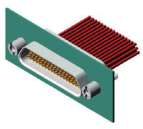
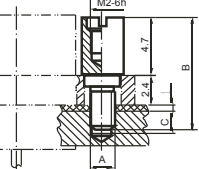
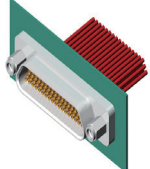
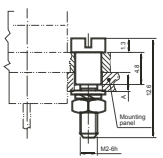
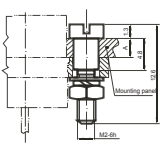
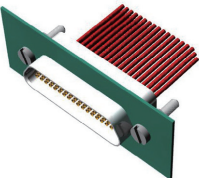
How to Order Solder Cup Connector

Sample part number	R04J	-25	PI	J	W	G	—A3
Series:	<ul style="list-style-type: none"> R04J—standar type R04JS—glue sealing R04JS1—glass-sinter sealing, please see pages 6 to 7 						
Contact number:	9, 15, 21, 25, 31, 37, 51, 66, 74, 100pins						
Contact type :	PI—pin in plug RH—socket in receptacle						
Tail termination type:	J—solder cup connector						
Locking component type:	blank—without W— locking component type, please see page2						
Shell material and finish :	Blank—Aluminum shell, finish nickel G—Aluminum shell, finish cadmium						
Shelded cable clamp type:	Please see page3						

R04J series free end locking component

Type	A	B	Outline dimension	Assembly picture	Matched with locking component
W	M2-6h	7.1			Q, Q0, Q2, Q3, Q4, Q5, Q7, Q8, Q9, Q10, Q11, Q14, Q15, Q17, Q23, Q25, Q29, Q32, Q35, Q36, Q37, Q41, Q42, Q43, Q45, Q46
W8	#2-56UNC-2A	7.1			Q1
W7	M2-6h	7.1			Q, Q0, Q2, Q3, Q4, Q5, Q7, Q8, Q9, Q10, Q11, Q14, Q15, Q17, Q23, Q25, Q29, Q32, Q35, Q36, Q37, Q41, Q42, Q43, Q45, Q46
N	M2-6h				Q, Q0, Q2, Q3, Q4, Q5, Q7, Q8, Q9, Q10, Q11, Q14, Q15, Q17, Q23, Q25, Q29, Q32, Q35, Q36, Q37, Q41, Q42, Q43, Q45, Q46
N1	#2-56UNC-2A				Q1

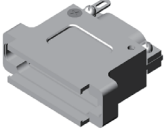

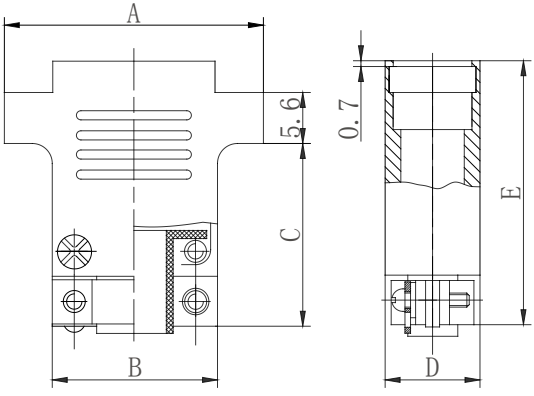
R04J series fixed end locking component for solder cup connector

Type	A	B	C	Outline dimension	Assembly picture	Matched with locking component
Q	M2-6h	M2-6h	12.6			W, W7, W9, N
Q1	#2-56UNC-2B	#2-56UNC-2A	12.6			W8, N1
Q8	M2-6h	M2-6h	15.6			W, W7, W9, N
Q9	M2-6h	M2-6h	21.6			W, W7, N
Q0	4.1	0.6	12.6			W, W7, W9, N
Q3	3.3	1.4	12.6			Note: These Kinds of components just suitable for rear panel mounting
Q4	2.5	2.2	12.6			
Q11	1.3	3.4	12.6			
Q45	2.7	2	20			
Q29	M3-6h	10.5	3.3min			W, W7, W9, N
Q36	M3-6h	14.7	6 min			Note: 1. Just suitable for front panel mounting 2. Suitable for R04JS series
Q37	M2-6h	10	2.8min			
Q43	M3-6h	11.7	4 min			
Q44						Note: 1. Not need to lock with locking component of free end 2. Front panel mounting, A dimension is 2.5-3.5mm 3. Rear panel mounting, (1) Mated with connector without locking component, A dimension is 3.5mm max (2) Mated with connector which have fixed end locking component, A dimension = 4.9-1.3-(distance between bolt and flange of mated with connector)

Remark: 1. Fixed end locking component apply to fix the connector on the mounting panel or the PCB. Most fixed end locking component can mate with free end locking component. Few fixed end locking component can't mate with free end locking component. (eg.: Q44)
2. All dimensions are in mm

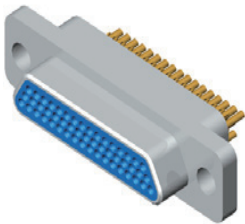


R04J series A3 cable clamp

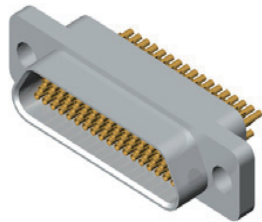
Stereogram	  <p>Without connector, only A3 cable clamp Plug with A3 cable clamp</p>	Outline Dimensions					
		Pin Count	A	B	C	D	E
Outline Dimension		9	19.6	9.9	18.2	10.4	27
		15	23.5	13.8	18.2	10.4	27
		21	27.4	17.6	19.2	10.4	28
		25	29.8	20.2	19.2	10.4	28
		31	33.6	24	19.2	10.4	28
		37	37.4	27.8	19.2	10.4	28
		51	36.4	26.6	21.2	11.2	30
Using Conditon	A3 cable clamp suitable for R04J solder cup basic type and R04J crimp contact basic type	66	42.9	29.1	21.2	11.2	30
		74	38.8	29.1	21.2	12	30
		100	54.7	40.7	21.2	12	30

Remark:All dimensions are in mm

R04J series solder cup connector - basic type



Plug:PIJ



Receptacle:RHJ

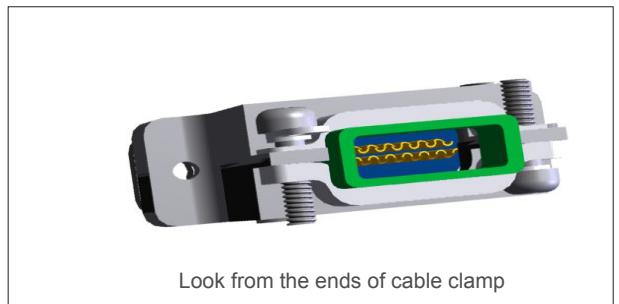
- **Shell Plating Finish:** Nickel or Cadmium
- **The spacing of arrangemet of the tail:** 1.27x1.1mm
- **Termination type:** Solder cup
- **Contacts:**

R04J- 9, 15, 21, 25, 31, 37, 51, 66,74, 100 PI J/RHJ

R04J series solder contact basic type are assembled with cable clamp



Look from connecting ends

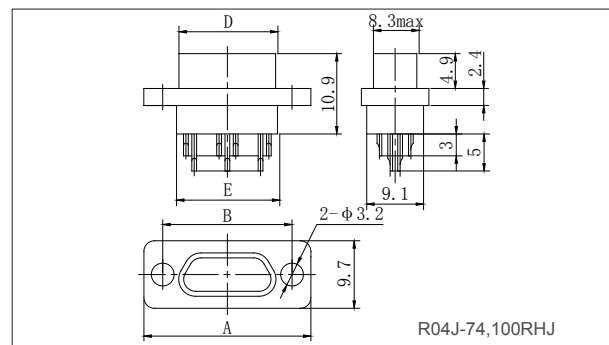
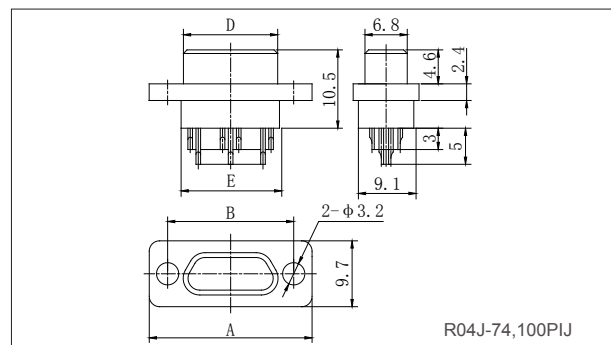
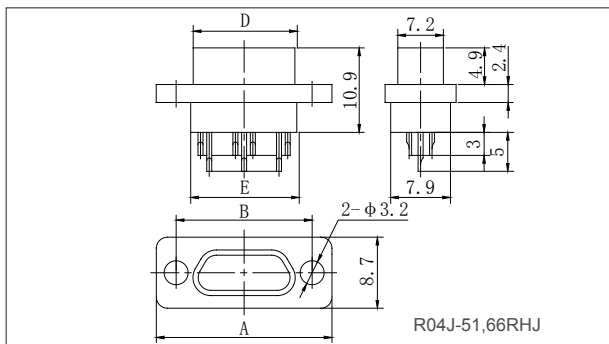
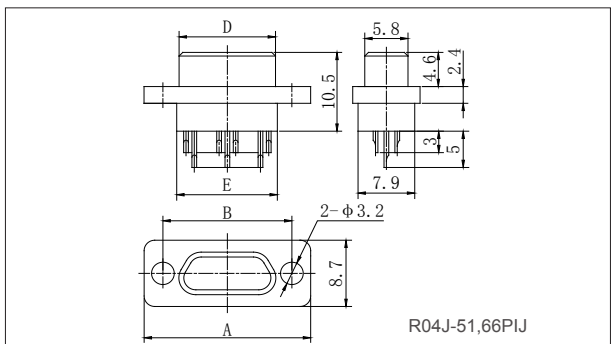
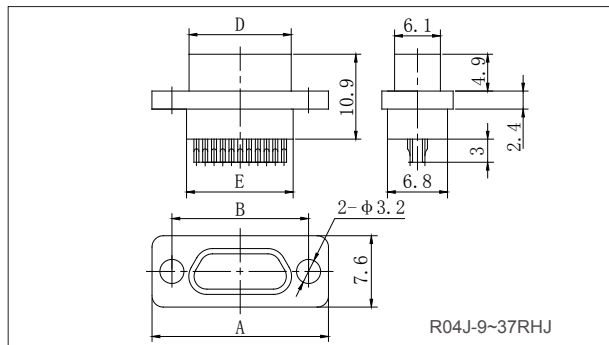
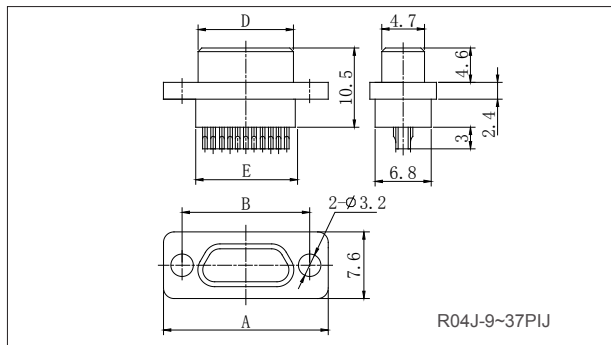


Look from the ends of cable clamp

Remark:in order to make the picture clear,product solid picture don't show the A3 type cable clamp.Actually , all R04J solder series are with a A3 type cable clamp.



Outline Dimension

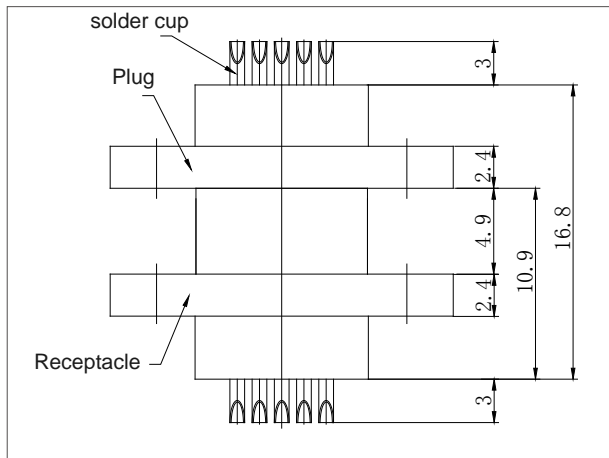


Part number	A	B	D		E
			PIJ	RHJ	
R04J-9PIJ/RHJ	19.6	14.3	8.3	9.8	9.9
R04J-15PIJ/RHJ	23.5	18.2	12.3	13.7	13.8
R04J-21PIJ/RHJ	27.4	22	16	17.4	17.6
R04J-25PIJ/RH J	29.8	24.5	18.6	20	20.2
R04J-31PIJ/RHJ	33.6	28.3	22.4	23.8	24
R04J-37PIJ/RHJ	37.4	32.2	26.3	27.7	27.8
R04J-51PIJ/RHJ	36.4	30.86	25	26.5	26.6
R04J-6SPIJ/RHJ	42.9	37.3	31.4	32.9	33
R04J-74PIJ/RHJ	38.8	33.5	27.5	29	29.1
R04J -100PIJ/RHJ	54.7	45.7	35	36.6	36.6

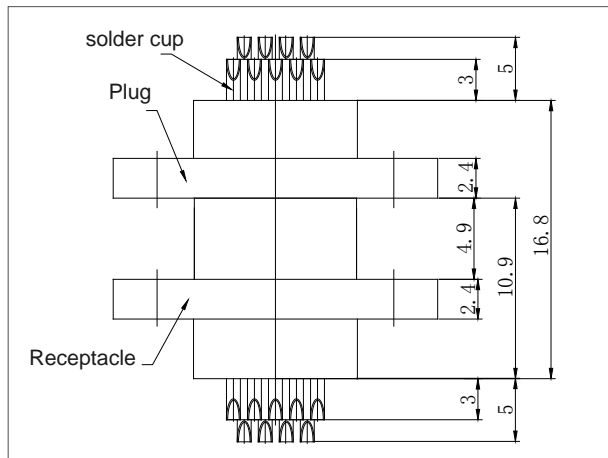
Remark: All dimensions are in mm



Outline Dimension after Mating(without A3 cable clamp)

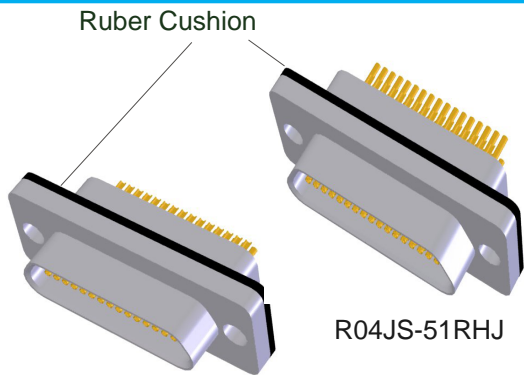


R04J-9~37pins



R04J-51~100pins

R04J series solder cup type - glue sealing connector

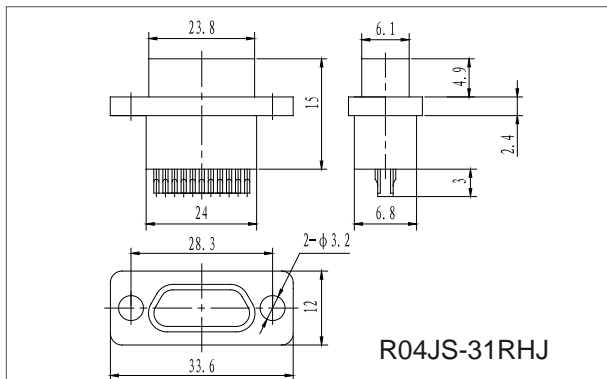


R04JS-31RHJ

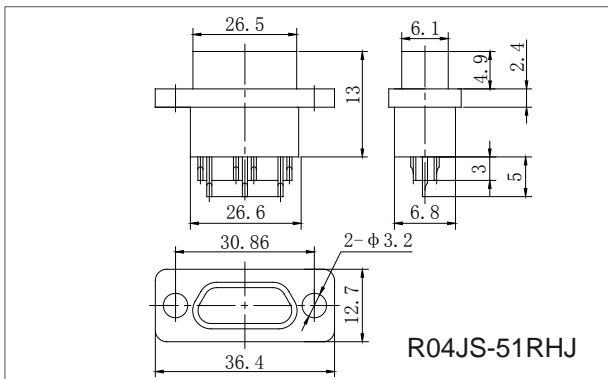
R04JS-51RHJ

- **Shell Plating Finish:** Nickel or Cadmium
- **The spacing of arrangement of the tail:** 1.27x1.1mm
- **Termination type:** Solder cup
- **Receptacle**
- **The flange with a rubber cushion, thickness:** 1mm
- **Glue sealing connector**
- **The air leakage rate:** $5 \times 10^{-2} \text{ Pa} \cdot \text{CM}^3/\text{s}$
- **Insulation resistance:** $\geq 2000 \text{ M}\Omega$
- **Contacts:** R04JS-31, 51 RHJ

Outline Dimension



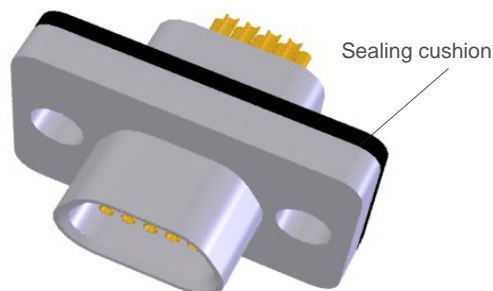
R04JS-31RHJ



R04JS-51RHJ

Remark: All dimensions are in mm

R04J series solder cup type - glass-sintered sealing connector



R04JS1-* RHJ

- **Shell:** Kovar alloy shell,finish gold
- **The spacing of arrangement of the tail:**1.27x1.1mm
- **Termination type:** Solder cup
- **Receptacle**
- **The flange with a rubber cushion,thickness:**1mm
- **Glass-sintered sealing connector**
- **The air leakage rate:** $1 \times 10^{-3} \text{ Pa} \cdot \text{CM}^3/\text{s}$
- **Insulation resistance:** $\geq 5000 \text{ M}\Omega$
- **Contact resistance:** $\leq 30 \text{ m}\Omega$
- **Dielectric strength:** 600Vr.m.s
- **Contacts:** R04JS1-9, 15, 21, 25, 31, 37, 51RHJ
- **Other performance is the same as R04J series**

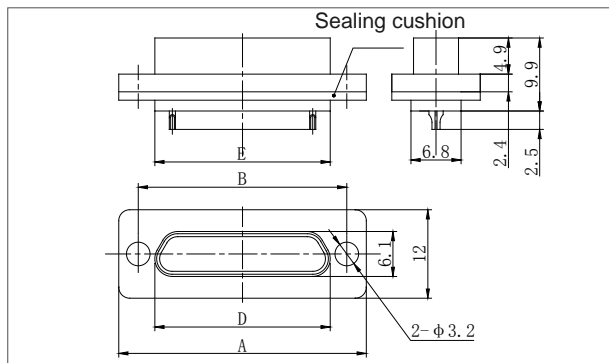
How to Order Solder Cup Connector---R04JS1 Series

Sample part number	R04JS1	25	RH	J	Q29	K	—A3
Series:	R04JS1—glass-sinter sealing						
Contact number:	9, 15, 21, 25, 31, 37, 51pins						
Contact type :	RH—socket in receptacle						
Tail termination type:	J—solder cup connector						
Locking component type:	Q29, Q36, Q37,Q43, more informations ,please see page2			blank—without			
Shell material and finish :	K— Kovar alloy shell,finish gold						
Shelded cable clamp type:	Please see page3						

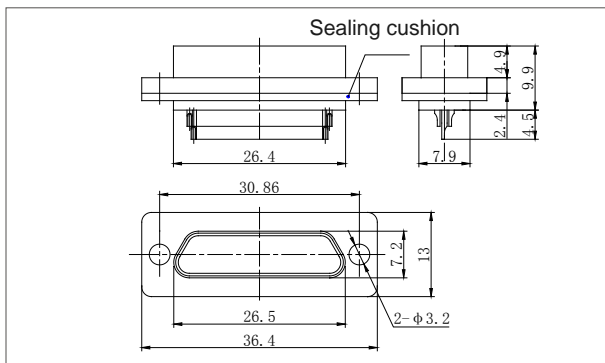
Remark:This product is front panel mounting , suggest to use the un-throught threaded mounting hole.
 Matching with locking component :Q29, Q36, Q37,Q43 etc. other mounting type need to customize.



Outline Dimension



R04JS1-9~37RHJ

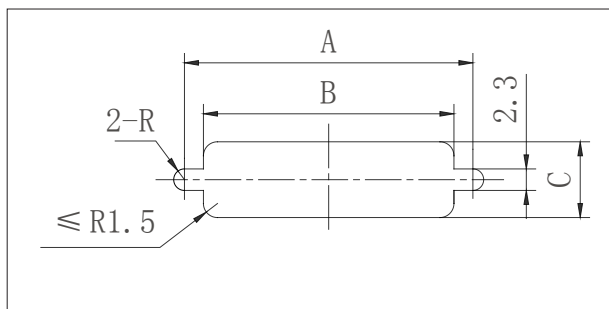


R04JS1-51RHJ

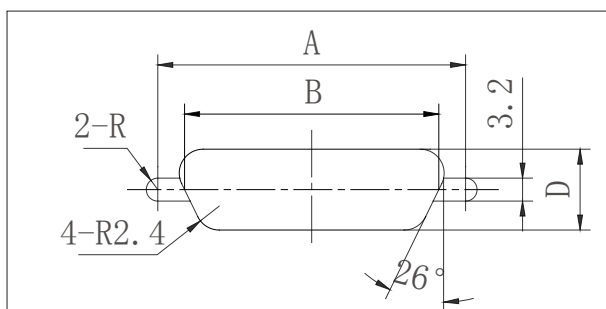
Part number	A	B	D	E
R04JS1-9RHJ	19.6	14.3	9.8	9.7
R04JS1-15RHJ	23.5	18.2	13.7	13.6
R04JS1-21RHJ	27.4	22	17.4	17.4
R04JS1-25RHJ	29.8	24.5	20	20
R04JS1-31RHJ	33.6	28.3	23.8	23.8
R04JS1-37RHJ	37.4	32.2	27.7	27.6
R04JS1-51RHJ	see outline dimension of page 5			

Solder cup type(R04JS and R04JS1) - mounting hole dimensions

■ Suitable for product: R04JS-*RHJ and R04JS1-*RHJ



Mounting hole dimension for front panel mounting



Mounting hole dimension for rear panel mounting

Contacts of No.	A	B	C	D	Contacts of No.	A	B	C	D
9 pins	14.3	10.2	7	6.3	37 pins	32.2	28.1	7	6.3
15 pins	18.2	14.1	7	6.3	51pins	30.86	26.9	8.1	7.4
21 pins	22	17.9	7	6.3	66 pins	37.3	33.4	8.1	7.4
25 pins	24.5	20.5	7	6.3	74 pins	33.5	29.4	9.3	8.6
31 pins	28.3	24.3	7	6.3	100 pins	45.7	37	9.3	8.6

Remark: 1. R04JS and R04JS1 are both sealing products, we suggest to use un-through threaded mounting hole for front panel mounting
2. All dimensions are in mm

