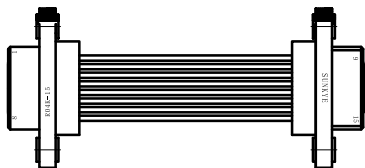


MIL-DTL-83513 Micro D-Sub Connectors

R04K Series Back to Back Crimp Contact Type



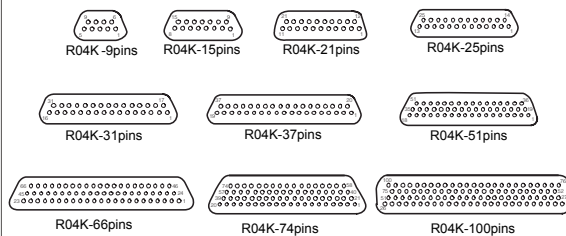
Introduction

- Micro-D connectors
- Twist pin contact, high density interconnection
- Metal shell, plated nickel or cadmium
- Back to Back crimp contact type
- The sectional area of cable: $0.1\text{mm}^2 \sim 0.15\text{mm}^2, 0.07\text{mm}^2$
- Meet MIL-DTL-83513

Specification

- Environment temperature: $-55^{\circ}\text{C} \sim 125^{\circ}\text{C}$
- Vibration: $10\text{Hz} \sim 2000\text{Hz}, 196\text{m/s}^2$
- Random vibration: Power spectrum density $0.4\text{G}^2/\text{Hz}$
root mean square value of total acceleration 23.1G
- Shock: 735m/s^2 11ms
- Rated current: 3A
- Contact resistance: $\leq 10\text{m}\Omega$
- Insulation resistance: $\geq 5000\text{M}\Omega$
- Dielectric strength: 800V
- Durability: 500 times

Contact arrangements

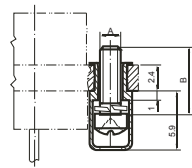
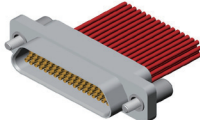
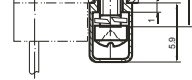
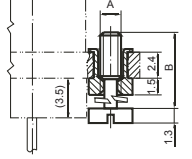
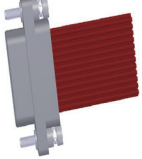
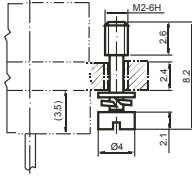
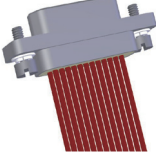
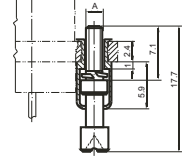
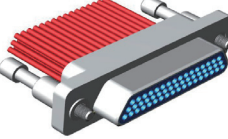


How To Order Crimp Contact Connectors

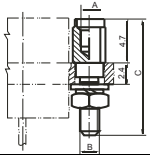
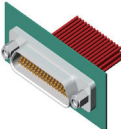
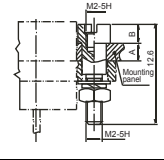
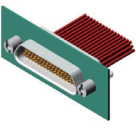
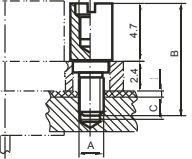
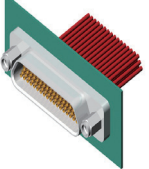
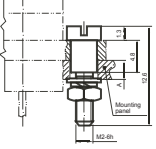
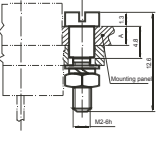
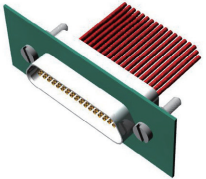
Sample part number	R04K	-25	PI	W7	G	A1	□
Series: R04K: Back to Back crimp							
Contact number: 9, 15, 21, 25, 31, 37, 51, 66, 74, 100pins							
Contact type : PI-- Pin (Plug) Connector Both Ends RH-- Socket(Receptacle Connector Both Ends) PH-- Pin Connector to Socket Connector							
Locking component type: blank—without Regarding locking component type, please see page2							
Shell material and finish : Blank—Aluminum shell, finish nickel G—Aluminum shell, finish cadmium							
Cable clamp type: blank—without A1—A1 type A2—A2 type A3—A3 type, the datasheet, please see page3							
Extended Series : Blank—standard type							

Remark: The accessories is not included in the order information, please mark the cable type . For example:the sectional area, the length and the color of cable. If the cable is special, please provide the drawing and spec. to us.

R04K crimp contact type free end locking component

Type	A	B	Outline dimension	Assembly picture	Matched with locking component
W	M2-6h	7.1			Q,Q0,Q2,Q3,Q4,Q5,Q7,Q8,Q9,Q10,Q11, Q14,Q15,Q17,Q23,Q25,Q29,Q32,Q35, Q36,Q37,Q41,Q42,Q43,Q45,Q46
W8	#2-56UNC-2A	7.1			Q1
W7	M2-6h	7.1			Q,Q0,Q2,Q3,Q4,Q5,Q7,Q8,Q9,Q10,Q11, Q14,Q15,Q17,Q23,Q25,Q29,Q32,Q35, Q36,Q37,Q41,Q42,Q43,Q45,Q46
W9	M2-6h				Q,Q0,Q2,Q3,Q4,Q5,Q7,Q8,Q9,Q10,Q11, Q14,Q15,Q17,Q23,Q25,Q29,Q32,Q35, Q36,Q37,Q41,Q42,Q43,Q45,Q46 Note: W9 just suitable for R04JD series product.
N	M2-6h				Q,Q0,Q2,Q3,Q4,Q5,Q7,Q8,Q9,Q10,Q11, Q14,Q15,Q17,Q23,Q25,Q29,Q32,Q35, Q36,Q37,Q41,Q42,Q43,Q45,Q46
N1	#2-56UNC-2A				Q1

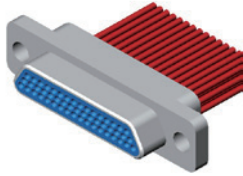
R04K crimp contact type fixed end locking component

Type	A	B	C	Outline dimension	Assembly picture	Matched with locking component	
Q	M2-6h	M2-6h	12.6			W, W7, W9, N	
Q1	#2-56UNC-2B	#2-56UNC-2A	12.6			W8, N1	Note: just suitable for front panel mounting
Q8	M2-6h	M2-6h	15.6			W,W7,W9,N	
Q9	M2-6h	M2-6h	21.6			W,W7,N	
Q0	4.1	0.6	12.6			W, W7, W9, N	
Q3	3.3	1.4	12.6			Note: These Kinds components just suitable for rear panel mounting	
Q4	2.5	2.2	12.6				
Q11	1.3	3.4	12.6				
Q45	2.7	2	20				
Q29	M3-6h	10.5	3.3min			W,W7,W9,N	
Q36	M3-6h	14.7	6 min			Note:1. Just suitable for front panel mounting 2. Suitable for R04JS series	
Q37	M2-6h	10	2.8min				
Q43	M3-6h	11.7	4 min				
Q44							Note: 1. Not need to lock with locking component of free end 2. Front panel mounting, A dimension is 2.5~3.5mm 3. Rear panel mounting, (1)Mated with connector without locking component, A dimension is 3.5mm max (2) Mated with connector which have fixed end locking component, A dimension =4.9-1.3-(distance between bolt and flange of mated with connector)

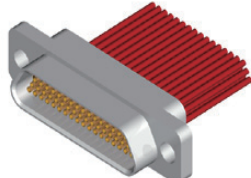
Remark:1. Fixed end locking component apply to fix the connector on the mounting panel or the PCB. Most fixed end locking component can mate with free end locking component. Few fixed end locking component can't mate with free end locking component.(eg. : Q44)
2. All dimensions are in mm

R04K series crimp contact basic type

- **Contacts:** R04K- 9, 15, 21, 25, 31, 37, 51, 66, 74, 100 PI /RH(G)
- **Shell Plating Finish:** Nickel , Cadmium



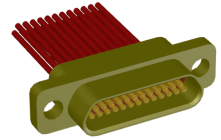
Plug:PI



Receptacle:RH

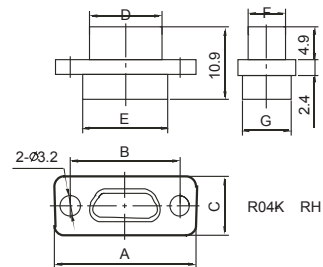
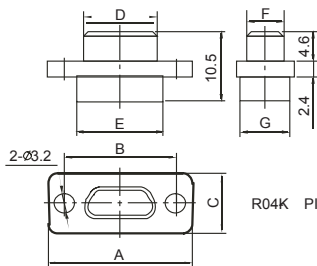


Plug:PIG



Receptacle:RHG

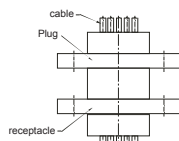
Outline Dimension



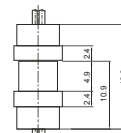
Part Number	A	B	C	D	E	F	G
R04K-9PI/PIG	19.6	14.3	7.6	8.3	9.9	4.7	6.8
R04K-15PI/PIG	23.5	18.2	7.6	12.3	13.8	4.7	6.8
R04K-21PI/PIG	27.4	22	7.6	16	17.6	4.7	6.8
R04K-25PI/PIG	29.8	24.5	7.6	18.6	20.2	4.7	6.8
R04K-31PI/PIG	33.6	28.3	7.6	22.4	24	4.7	6.8
R04K-37PI/PIG	37.4	32.2	7.6	26.3	27.8	4.7	6.8
R04K-51PI/PIG	36.4	30.86	8.7	25	26.6	5.8	7.9
R04K-66PI/PIG	42.9	37.3	8.7	31.4	33	5.8	7.9
R04K-74PI/PIG	38.8	33.5	9.7	27.5	29.1	6.8	9.1
R04K-100PI/PIG	54.7	45.7	9.7	35	36.6	6.8	9.1
R04K-9RH/RHG	19.6	14.3	7.6	9.8	9.9	6.1	6.8
R04K-15RH/RHG	23.5	18.2	7.6	13.7	13.8	6.1	6.8
R04K-21RH/RHG	27.4	22	7.6	17.4	17.6	6.1	6.8
R04K-25RH/RHG	29.8	24.5	7.6	20	20.2	6.1	6.8
R04K-31RH/RHG	33.6	28.3	7.6	23.8	24	6.1	6.8
R04K-37RH/RHG	37.4	32.2	7.6	27.7	27.8	6.1	6.8
R04K-51RH/RHG	36.4	30.86	8.7	26.5	26.6	7.2	7.9
R04K-66RH/RHG	42.9	37.3	8.7	32.9	33	7.2	7.9
R04K-74RH/RHG	38.8	33.5	9.7	29	29.1	8.3	9.1
R04K-100RH/RHG	54.7	45.7	9.7	36.6	36.65	8.2	9.1

Remark: All dimensions are in mm

Outline Dimension after mating



The main view



The left view