



MIL-DTL-32139 Nano Circular Connectors

D06 Series Crimping Connectors



Brief Introduction

- Nano Circular Connectors
- Twist Pin Contacts, High Density
- Metal Shell, Aluminum alloy or Titanium Alloy
- Crimping Connectors
- Contact Spacing: 0.635mm
- Meets MIL-DTL-32139

Specifications

Environment Temperature:	-55°C ~+125°C
Vibration:	10Hz~2000Hz, 196m/s ²
Random Vibration:	Power spectrum density 0.4G ² /Hz, root mean square value of total acceleration 23.1G.
Shock:	980m/s ² 6ms
Rated Current:	1A
Contact Resistance:	≤21mΩ
Insulation Resistance:	≥5000MΩ
Dielectric Strength:	250V
Durability:	200 times

Product Stereogram



Plug



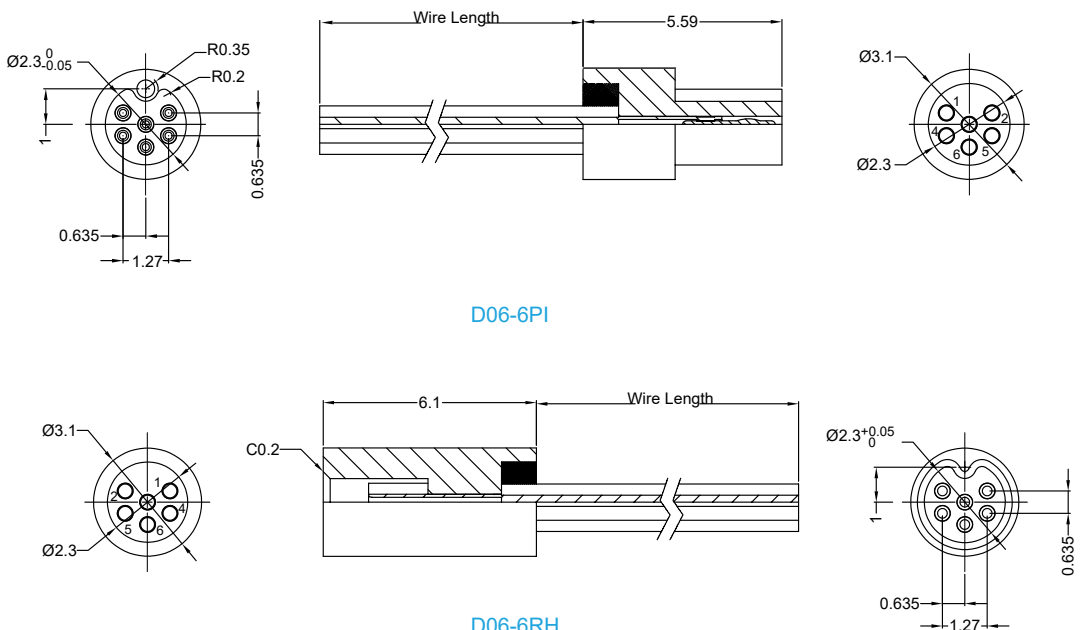
Receptacle



How To Order

Sample Part Number	D06	-6	PI	-30	9	10	-U
Series:	D06—Nano Circular Connectors for MIL-DTL-32139						
Contact Number:	3, 6, 11, 19, 37, 44, 51pins						
Contact Type:	PI—Pin in Plug		RH—Socket in Receptacle				
Wire Gage:	30—AWG30						
Wire Color:	9—White Color			T—Ten Color Repeating			
Wire Length:	10—Wire Length in cm. "10" Specifies 10 cm						
Shell Material And Finish:	G—Aluminum Shell, Cadmium Plating		No Code—Aluminum Shell, Nickel Plating				
	U—Aluminum Shell, Gold Plating		T—Titanium Shell, Unplated				

Outline Dimensions





MIL-DTL-32139 Nano Circular Connectors

D06 Series Straight to PCB Connectors

Brief Introduction

- Nano Circular Connectors
- Twist Pin Contacts, High Density
- Metal Shell, Aluminum alloy or Titanium Alloy
- Straight to PCB Connectors
- Contact Spacing: 0.635mm
- Meets MIL-DTL-32139

Specifications

Environment Temperature:	-55°C ~+125°C
Vibration:	10Hz~2000Hz, 196m/s ²
Random Vibration:	Power spectrum density 0.4G ² /Hz, root mean square value of total acceleration 23.1G.
Shock:	980m/s ² 6ms
Rated Current:	1A
Contact Resistance:	≤21mΩ
Insulation Resistance:	≥5000MΩ
Dielectric Strength:	250V
Durability:	200 times

How To Order

Sample Part Number	D06	-S	1	-6	PI	-U
Series: D06—Nano Circular Connectors for MIL-DTL-32139						
Tail Termination Type: S—Striaight to PCB						
PCB Tail Length: 1—2.77mm 2—3.56mm 3—4.32mm						
Contact Number: 3, 6, 11, 19, 37, 44, 51pins						
Contact Type: PI—Pin in Plug RH—Socket in Receptacle						
Shell Material And Finish: G—Aluminum Shell, Cadmium Plating U—Aluminum Shell, Gold Plating No Code—Aluminum Shell, Nickel Plating T—Titanium Shell, Unplated						